

2012

2012

WINDSHIELD WIPER SYSTEM SERVICE PARTS CATALOG FOR RECREATIONAL VEHICLES



Member
RVIA
RECREATION VEHICLE
INDUSTRY ASSOCIATION

DSCA PART NUMBER: LA990009-2493

DENSO

© 2011 DENSO SALES CALIFORNIA, INC.
All Rights Reserved. This book may not
be reproduced or copied, in whole or in
part, without the written permission of the
publisher. DENSO SALES CALIFORNIA, INC.
reserves the right to make changes without
prior notice.

DENSO

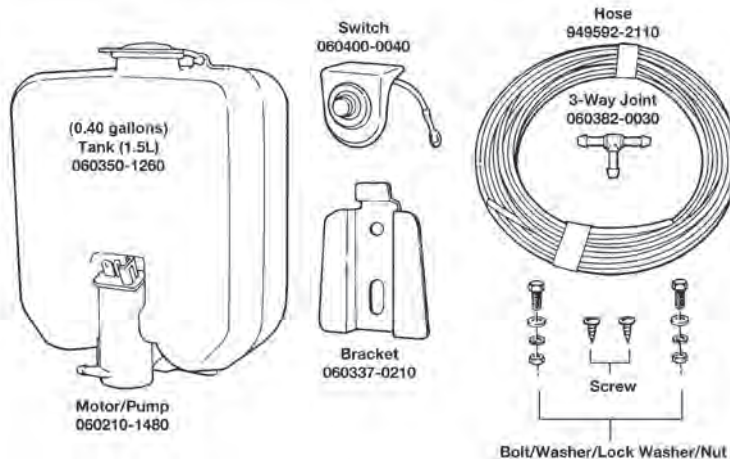
DENSO SALES CALIFORNIA, INC.
Technical Services Department
Long Beach, California
Fourteenth Issue: November 2011
Publication No.: LA990009-2493

Printed in U.S.A.

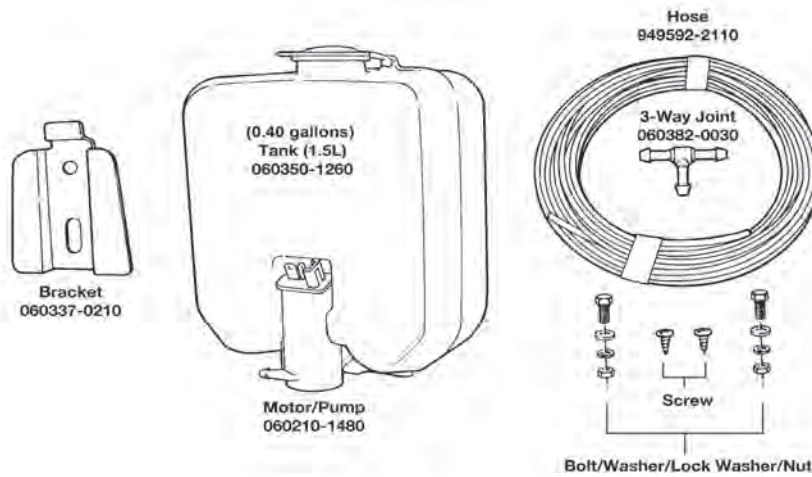
Table of Contents

Windshield Washer Kits.....	1	Fleetwood Southwind (1997 - 2008)	36
Variable Intermittent Wiper Switch	2	Fleetwood Southwind (1994 - 1996)	37
Fleetwood American Allegiance (2008).....	3	Fleetwood Southwind (1992 - 1993).....	38
Fleetwood American Dream (2001 - 2003)	4	Fleetwood Southwind (1988 - 1991)	39
Fleetwood American Dream (1994 - 2000)	5	Fleetwood Storm (1995 - 2008)	40
Fleetwood American Eagle (2004 - 2008)	6	Fleetwood Terra (2006 - 2009).....	41
Fleetwood American Eagle (2001 - 2003)	7	Fleetwood Terra (2001 - 2005).....	42
Fleetwood American Eagle (1991 - 2000).....	8	Fleetwood Vision (1996 - 2000)	43
Fleetwood American Flyer (1995).....	9	National RV Komfort (1988 - 1989)	44
Fleetwood American Heritage (2005 - 2008).....	10	National RV Caribbean (2000 - 2002)	45
Fleetwood American Heritage (1999 - 2004)	11	National RV Dolphin (2007 - 2008)	46
Fleetwood American Tradition (2004 - 2008)	12	National RV Dolphin (1996 - 2006)	47
Fleetwood American Tradition (2001 - 2003)	13	National RV Dolphin (1988 - 1995)	48
Fleetwood American Tradition (1996 - 2000)	14	National RV Islander (2006)	49
Fleetwood Bounder (2006 - 2009)	15	National RV Islander (2000 - 2005)	50
Fleetwood Bounder (1992 - 2005)	16	National RV Las Brisas (1990)	51
Fleetwood Coronado (1992 - 1995)	17	National RV Marlin (2001 - 2003)	52
Fleetwood Discovery (2000 - 2008)	18	National RV Pacifica (2007 - 2008).....	53
Fleetwood Discovery (1996 - 1999)	19	National RV Sea Breeze (1996 - 2008)	54
Fleetwood Excursion (mid 2006 - 2008).....	20	National RV Sea Breeze (1993 - 1995)	55
Fleetwood Excursion (2006 - mid 2006).....	21	National RV Sea View (1998 - 2003)	56
Fleetwood Excursion (2001 - 2005).....	22	National RV Surfside (2006 - 2008)	57
Fleetwood Expedition (2001 - 2008).....	23	National RV Surfside (1999 - 2003)	58
Fleetwood Fiesta (2006 - 2009).....	24	National RV Tradewinds (2006 - 2008).....	59
Fleetwood Fiesta (2001 - 2005).....	25	National RV Tradewinds (1998 - 2005).....	60
Fleetwood Flair (1992 - 2008)	26	National RV Tropi-cal (2008)	61
Fleetwood Limited (1991)	27	National RV Tropi-cal (1996 - 2007)	62
Fleetwood Limited (1988 - 1990).....	28	National RV Tropi-cal (1992 - 1995)	63
Fleetwood Pace Arrow (2004 - 2008)	29	Tiffin Allegro (1993 - 2006).....	64
Fleetwood Pace Arrow (1996 - 2003)	30	Tiffin Allegro Bay (2000 - 2004)	65
Fleetwood Pace Arrow (1995)	31	Tiffin Allegro Bay (1990 - 1999)	66
Fleetwood Pace Arrow (1988 - 1994)	32	Tiffin Allegro Bus (1993 - 2003).....	67
Fleetwood Providence (2001 - 2008)	33	Tiffin Phaeton (2001 - 2004)	68
Fleetwood Revolution (2005 - 2009)	34	Replacement Blade and Refill Reference Chart	69
Fleetwood Revolution (2001 - 2004)	35	Wiring Diagrams: Wiper Motors	71

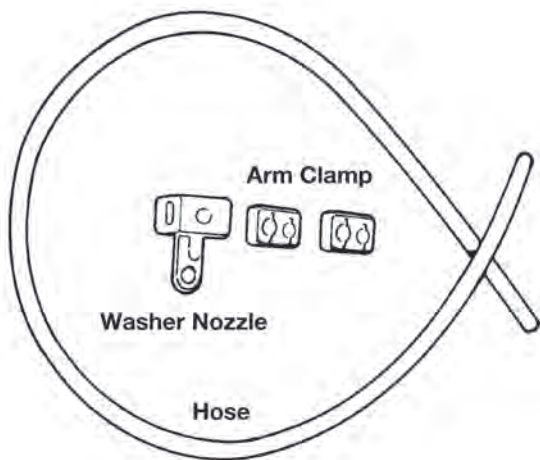
Windshield Washer Kits



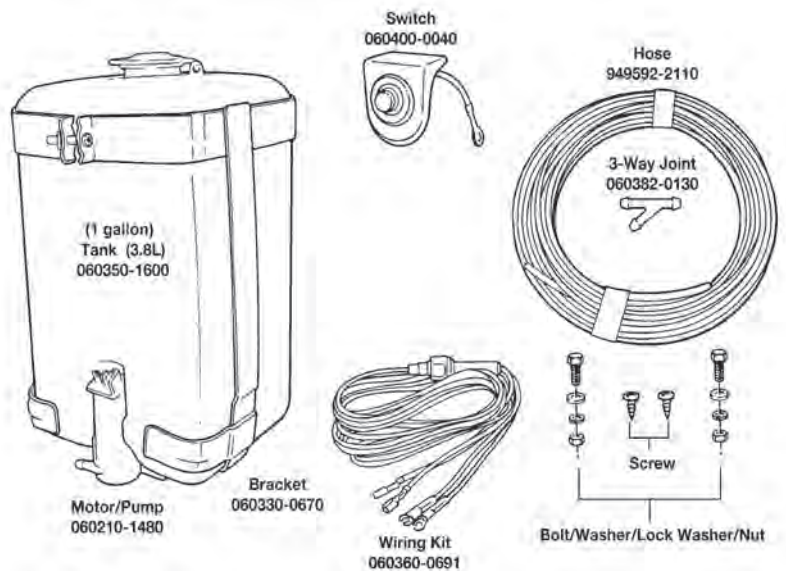
160300-1060



060800-0550

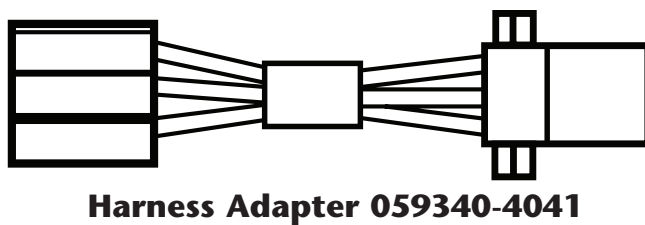
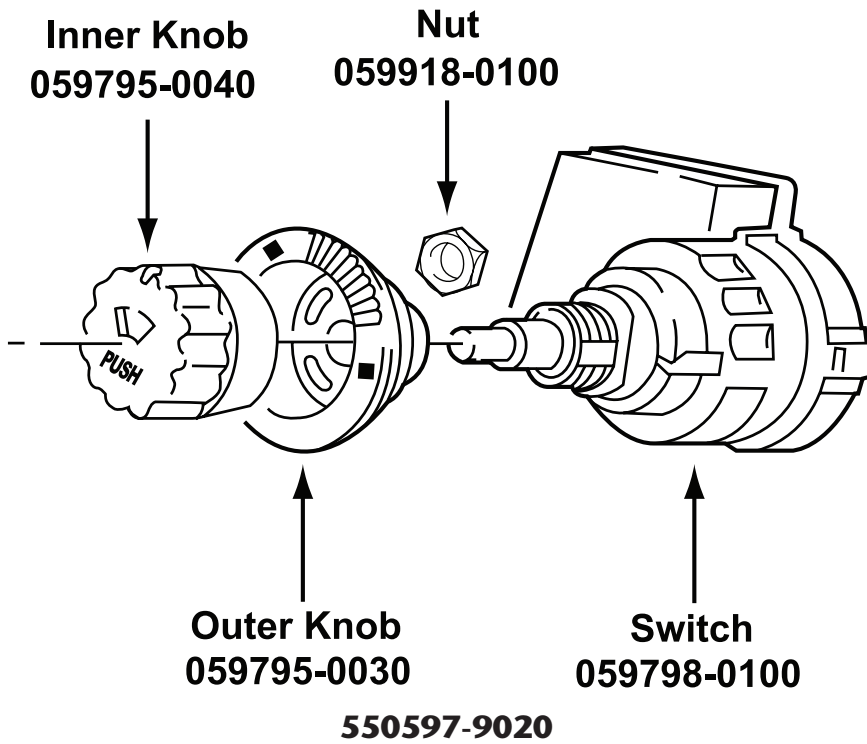
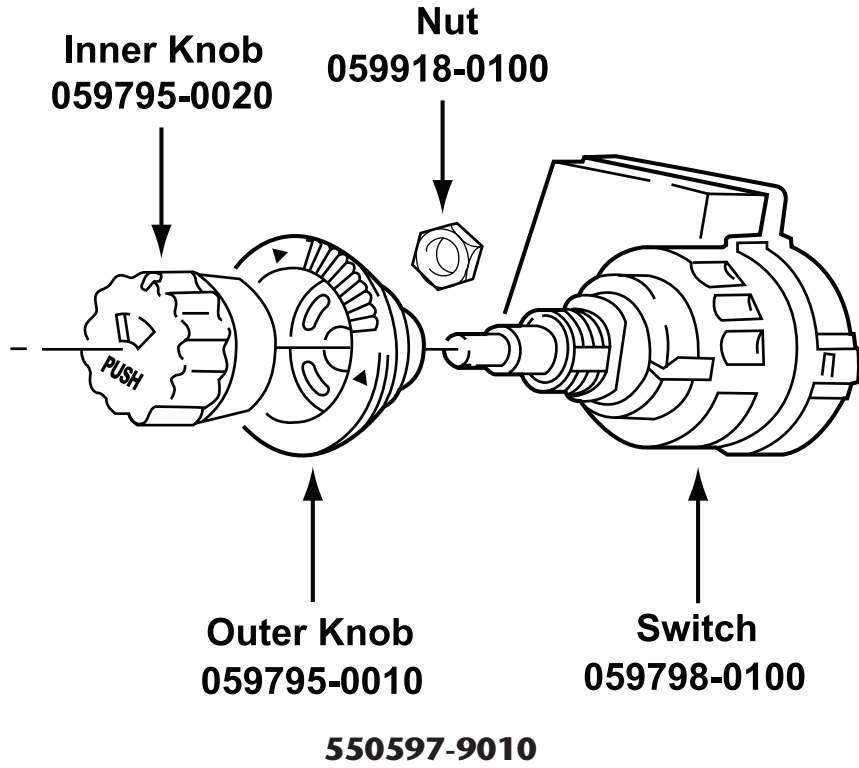


060090-0030 / -0070
Washer Nozzle Kit

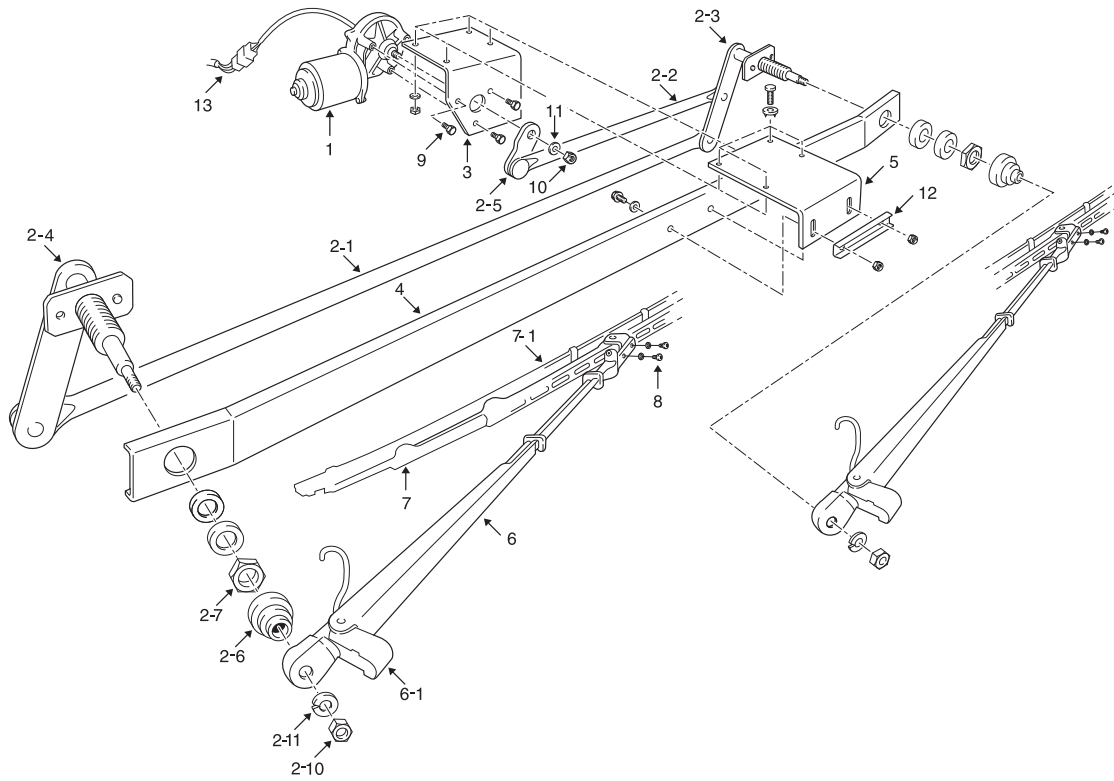


160200-5160

Variable Intermittent Wiper Switch

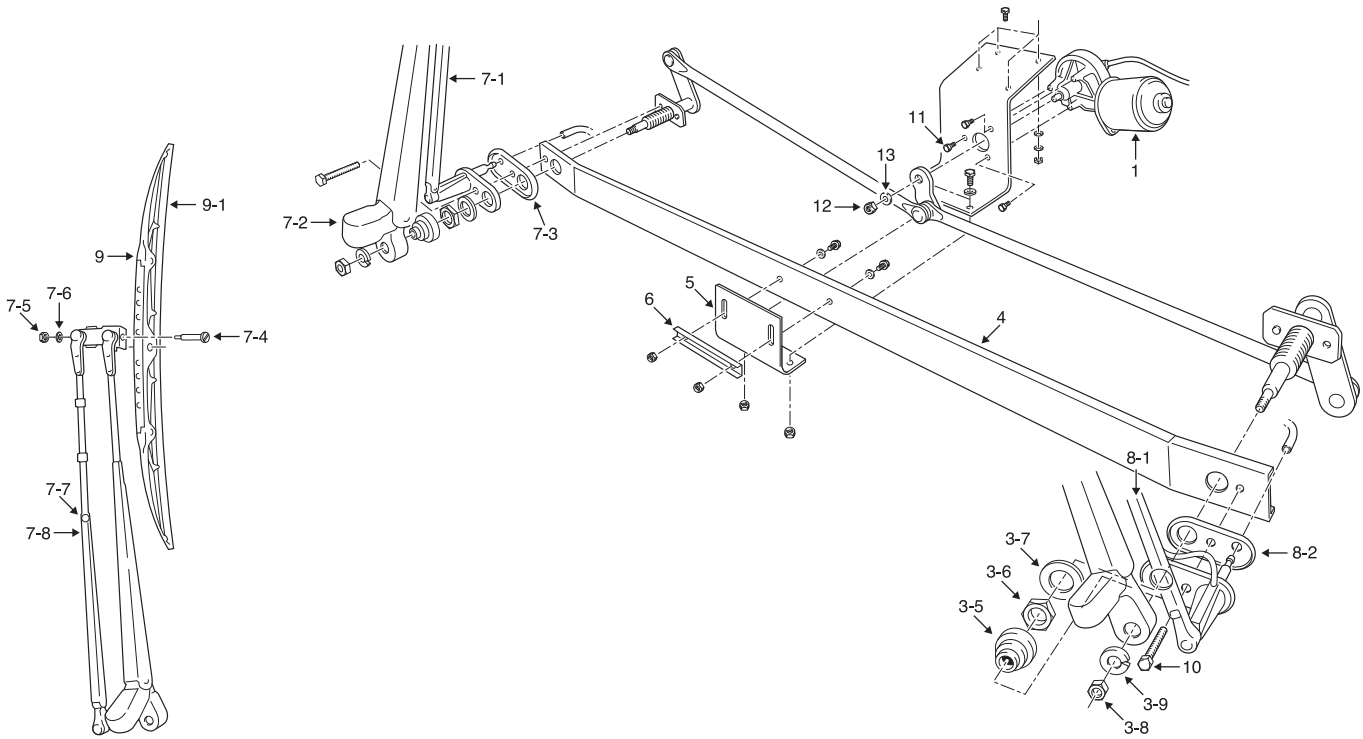


Fleetwood American Allegiance (2008)



ITEM NO.	PART NO.	DESCRIPTION	QTY/ UNIT
1	159100-3220	Wiper Motor	1
2-1	159827-4160	Tie Rod	1
2-2	159827-4150	Tie Rod	1
2-3	159950-1000	Pivot (Driver Side)	1
2-4	159960-9310	Pivot (Passenger Side)	1
2-5	859434-3990	Crank Arm	1
2-6	059901-1140	Rubber Cap	2
2-7	949050-4160	20mm Hex Nut	2
2-10	912601-0061	10mm Hex Nut	2
2-11	902581-0001	Lock Washer	2
3	LAY46499-0160	Wiper Motor Bracket	1
4	LAY46499-0180	Wiper Stay A	1
5	LAY46499-0170	Wiper Stay B	1
6	460050-3340	Arm Assembly (Passenger/Driver, Includes 6-1)	2
6-1	857044-1052	Plastic Cap	2
7	LA847210-0840	Blade Assembly (Includes 7-1)	2
7-1	LA060150-0150	Rubber Blade w/Backing	2
8	949007-2540	Screw w/Washer	4
9	91510-06141	Bolt w/Washer	3
10	90196-08651	Nut	1
11	902580-8001	Lock Washer	1
12	LA146499-1958	Bolt Lock	1
13	LA246440-5780	Wiring Adapter	1
	060090-0070	Service Kit, Water Nozzle Parts (See Page 1)	

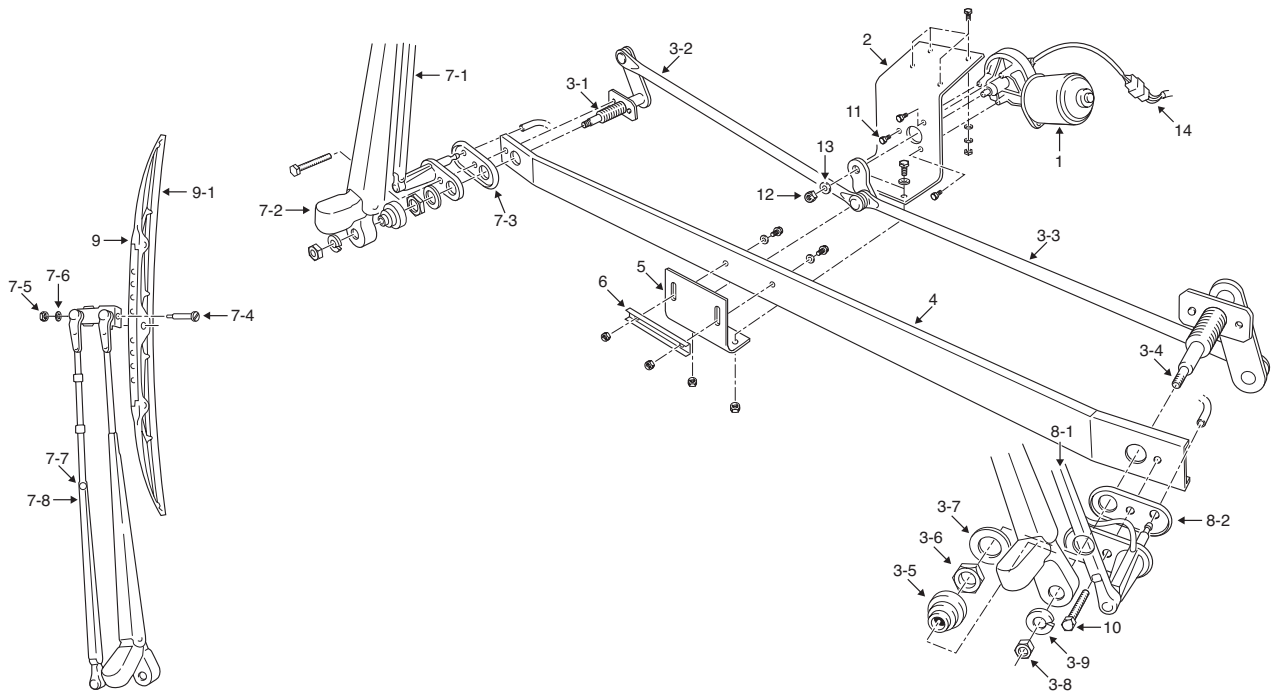
Fleetwood American Dream (2001 - 2003)



ITEM NO.	PART NO.	DESCRIPTION	QTY/UNIT
1	159100-7370	Wiper Motor	1
3-5	059901-1140	Rubber Cap	2
3-6	949050-4160	20mm Hex Nut	2
3-7	949011-7750	20mm Washer	2
3-8	912601-0061	10mm Hex Nut	2
3-9	902581-0001	Lock Washer	2
4	LA146499-226A	Wiper Stay A.	1
5	LA146499-1929	Wiper Stay B.	1
6	LA146499-1958	Bolt Lock	1
7	160010-9921	Arm Assembly (Passenger, Includes 7-1 thru 7-8)	1
7-1	060062-0090	Arm Base	1
7-2	060054-0432	Plastic Cap	2
7-3	857048-2401	Gasket	1
7-4	857059-0020	Cap Screw	2
7-5	857056-0040	3mm Hex Nut	2
7-6	857174-0020	Lock Washer	2
7-7	949007-5680	Set Screw w/Washer	4
7-8	060029-0060	Back Plate	2
8	160050-5801	Arm Assembly (Driver, Includes 8-1, 8-2, 7-2, 7-4 thru 7-8)	1
8-1	060062-0100	Arm Base	1
8-2	857048-2410	Gasket	1
9	LA160100-7670	Blade Assembly (Includes 9-1)	2
9-1	LA060150-0010	Rubber Blade w/Backing	2
10	LA91120-00108	Hex Bolt (Black)	2
11	91510-06141	Bolt w/Washer	3
12	90196-08651	Nut	1
13	90258-08001	Lock Washer	1

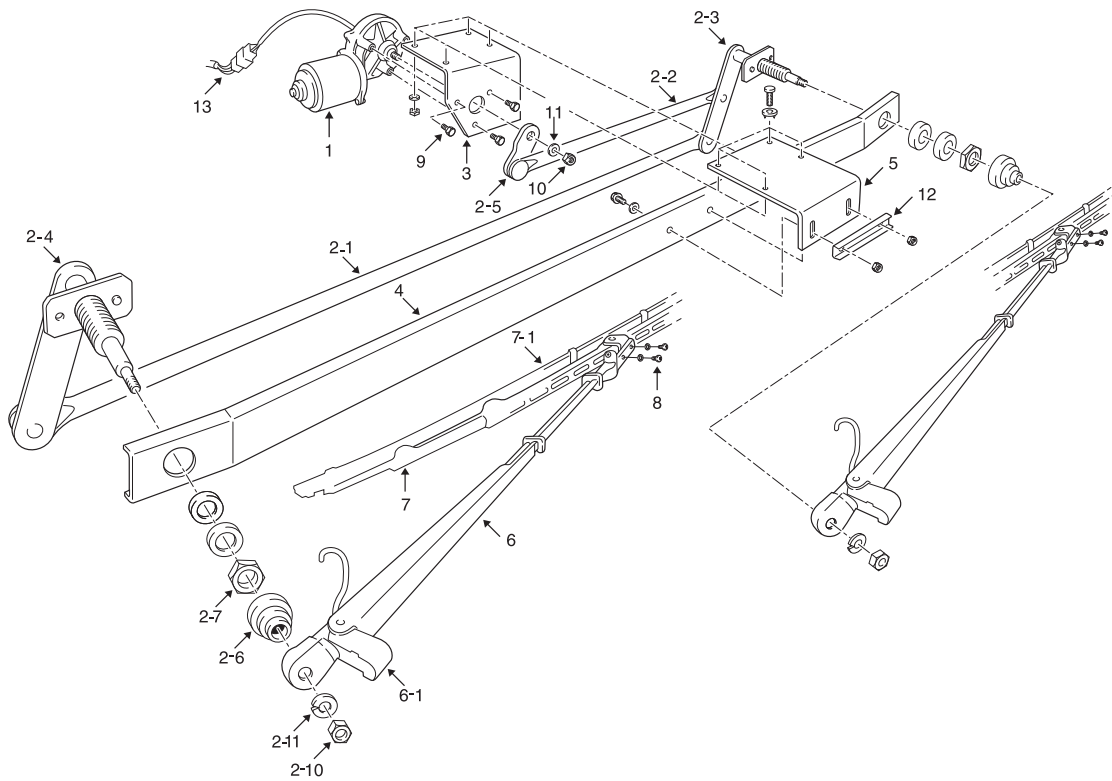
ITEM NO.	PART NO.	DESCRIPTION	QTY/UNIT
	060090-0010	Service Kit, Passenger Arm Hardware (Includes 7-3 thru 7-6)	
	060090-0030	Service Kit, Water Nozzle Parts (See Page 1)	
	060800-0550	Windshield Washer Kit (See Page 1)	
	550597-9010	Variable Intermittent Wiper Switch (See Page 2)	

Fleetwood American Dream (1994 - 2000)



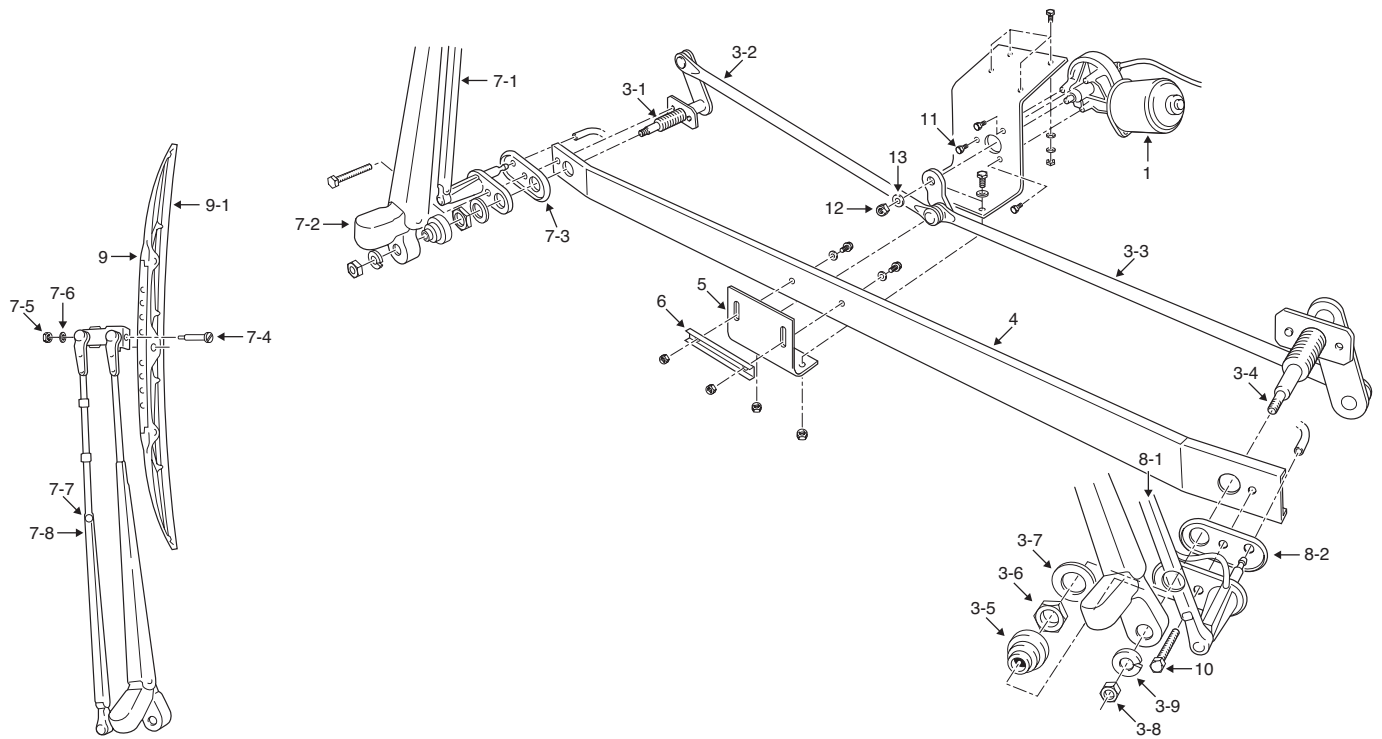
ITEM NO.	PART NO.	DESCRIPTION	QTY/UNIT	ITEM NO.	PART NO.	DESCRIPTION	QTY/UNIT
1	159100-7370	Wiper Motor	1	11	91510-06141	Bolt w/Washer	3
2	LA146499-2051	Wiper Motor Bracket (1995-2000 Wide Body)	1	12	90196-08651	Nut	1
3	059800-9850	Link Assembly (Includes 3-1 thru 3-9)	1	13	90258-08001	Lock Washer	1
3-1	159960-3760	Pivot (Passenger)	1	14	LA246440-5780	Wire Adapter (mid 1994)	1
3-2	059828-6710	Tie Rod (Passenger)	1		060090-0010	Service Kit, Passenger Arm Hardware (Includes 7-3 thru 7-6)	
3-3	059840-0250	Tie Rod, w/Crank Arm (Driver)	1		060090-0030	Service Kit, Water Nozzle Parts (See Page 1)	
3-4	159960-3770	Pivot (Driver)	1		060800-0550	Windshield Washer Kit (See Page 1)	
3-5	059901-1140	Rubber Cap	2		550597-9010	Variable Intermittent Wiper Switch (See Page 2)	
3-6	949050-4160	20mm Hex Nut	2				
3-7	949011-7750	20mm Washer	2				
3-8	912601-0061	10mm Hex Nut	2				
3-9	902581-0001	Lock Washer	2				
4	LA146499-0600	Wiper Stay A	1				
5	LA146499-1930	Wiper Stay B	1				
6	LA146499-1958	Bolt Lock	1				
7	460010-2590	Arm Assembly (Passenger, Includes 7-1 thru 7-8)	1				
7-1	060062-0090	Arm Base (Passenger)	1				
7-2	060054-0432	Plastic Cap	1				
7-3	857048-2401	Gasket (Passenger)	1				
7-4	857059-0020	Cap Screw	1				
7-5	857056-0040	3mm Hex Nut	1				
7-6	857174-0020	Lock Washer	1				
7-7	949007-5680	Set Screw w/Washer	2				
7-8	060029-0060	Back Plate	1				
8	160050-7410	Arm Assembly (Driver, Includes 8-1, 8-2, 7-2, 7-4 thru 7-8)	1				
8-1	060062-0100	Arm Base (Driver)	1				
8-2	857048-2410	Gasket (Driver)	1				
9	LA160100-7670	Blade Assembly (Includes 9-1)	2				
9-1	LA060150-0010	Rubber Blade w/Backing	2				
10	LA91120-00108	Hex Bolt (Black)	2				

Fleetwood American Eagle (2004 - 2008)



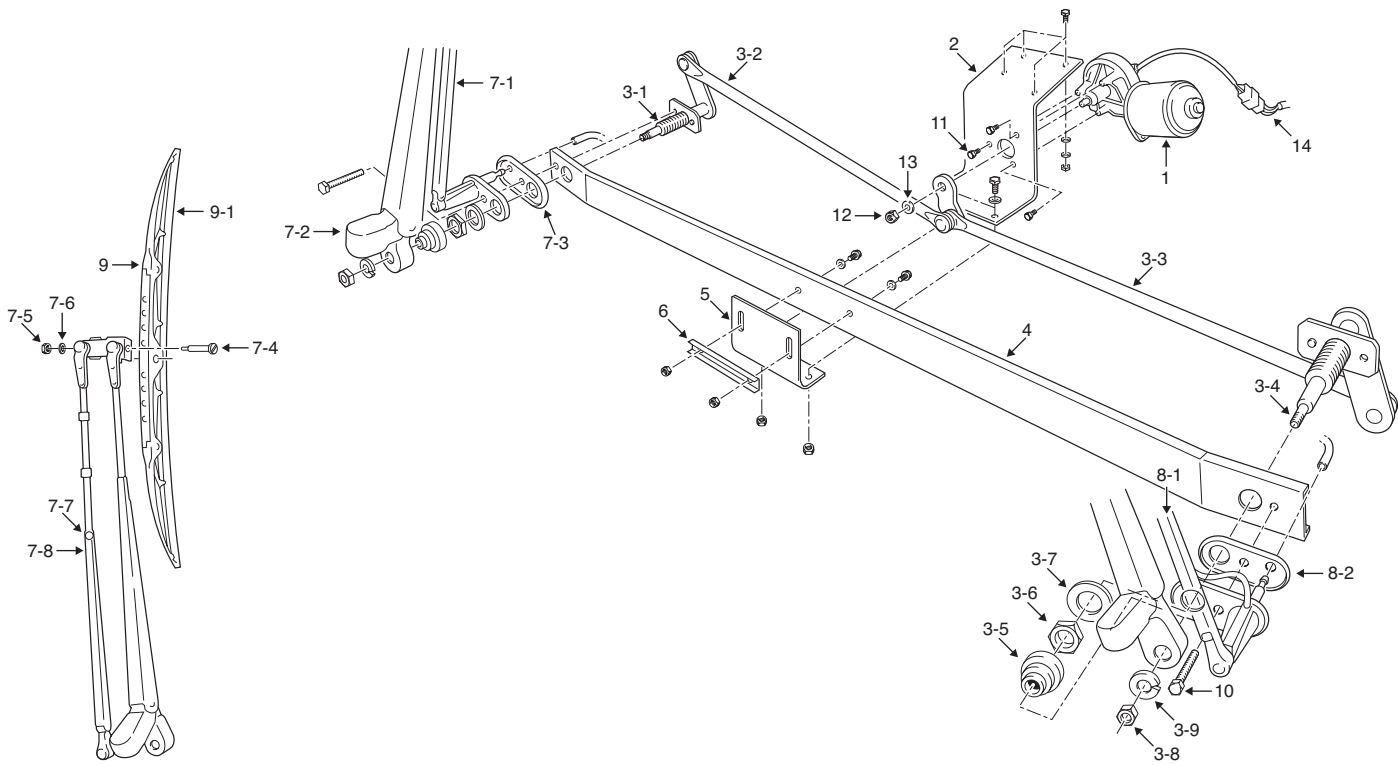
ITEM NO.	PART NO.	DESCRIPTION	QTY/ UNIT
1	159100-3220	Wiper Motor	1
2-1	159827-4160	Tie Rod	1
2-2	159827-4150	Tie Rod	1
2-3	159950-1000	Pivot (Driver Side)	1
2-4	159960-9310	Pivot (Passenger Side)	1
2-5	859434-3990	Crank Arm	1
2-6	059901-1140	Rubber Cap	2
2-7	949050-4160	20mm Hex Nut	2
2-10	912601-0061	10mm Hex Nut	2
2-11	902581-0001	Lock Washer	2
3	LAY46499-0160	Wiper Motor Bracket	1
4	LAY46499-0180	Wiper Stay A.	1
5	LAY46499-0170	Wiper Stay B.	1
6	460050-3340	Arm Assembly (Passenger/Driver, Includes 6-1)	2
6-1	857044-1052	Plastic Cap	2
7	LA847210-0840	Blade Assembly (Includes 7-1)	2
7-1	LA060150-0150	Rubber Blade w/Backing	2
8	949007-2540	Screw w/Washer	4
9	91510-06141	Bolt w/Washer	3
10	90196-08651	Nut	1
11	902580-8001	Lock Washer	1
12	LA146499-1958	Bolt Lock	1
13	LA246440-5780	Wiring Adapter	1
	060090-0070	Service Kit, Water Nozzle Parts (See Page 1)	

Fleetwood American Eagle (2001 - 2003)



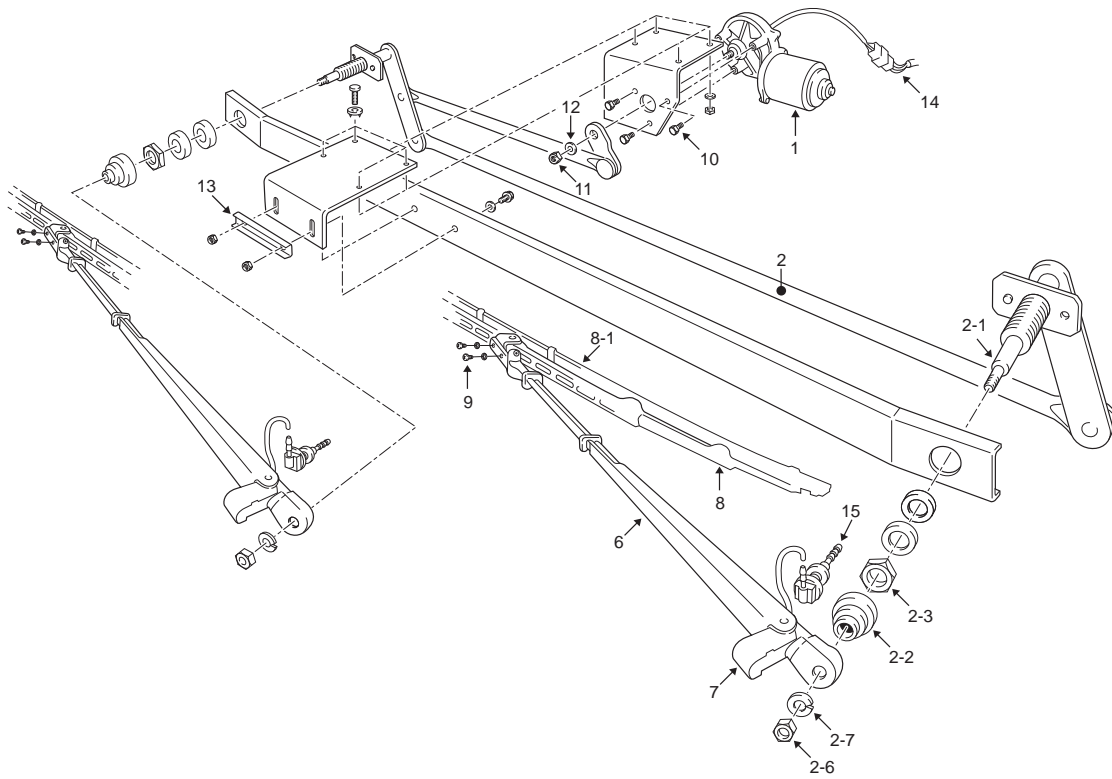
ITEM NO.	PART NO.	DESCRIPTION	QTY/UNIT	ITEM NO.	PART NO.	DESCRIPTION	QTY/UNIT
1	159100-7370	Wiper Motor	1	060090-0010	Service Kit, Passenger Arm Hardware (Includes 7-3 thru 7-6)		
3-1	059901-1140	Rubber Cap	2	060090-0030	Service Kit, Water Nozzle Parts (See Page 1)		
3-2	949050-4160	20mm Hex Nut	2	060800-0550	Windshield Washer Kit (See Page 1)		
3-3	949011-7750	20mm Washer	2	550597-9010	Variable Intermittent Wiper Switch (See Page 2)		
3-4	912601-0061	10mm Hex Nut	2				
3-5	902581-0001	Lock Washer	2				
3-6	949050-4160	20mm Hex Nut	2				
3-7	949011-7750	20mm Washer	2				
3-8	912601-0061	10mm Hex Nut	2				
3-9	90258-10001	Lock Washer	2				
4	LA146499-226A	Wiper Stay A	1				
5	LA146499-1929	Wiper Stay B	1				
6	LA146499-1958	Bolt Lock	1				
7	160010-9921	Arm Assembly (Passenger, Includes 7-1 thru 7-8)	1				
7-1	060062-0090	Arm Base	1				
7-2	060054-0432	Plastic Cap	2				
7-3	857048-2401	Gasket	1				
7-4	857059-0020	Cap Screw	2				
7-5	857056-0040	3mm Hex Nut	2				
7-6	857174-0020	Lock Washer	2				
7-7	949007-5680	Set Screw w/Washer	4				
7-8	060029-0060	Back Plate	2				
8	160050-5801	Arm Assembly (Driver, Includes 8-1, 8-2, 7-2, 7-4 thru 7-8)	1				
8-1	060062-0100	Arm Base	1				
8-2	857048-2410	Gasket	1				
9	LA160100-7670	Blade Assembly (Includes 9-1)	2				
9-1	LA060150-0010	Rubber Blade w/Backing	2				
10	LA91120-00108	Hex Bolt (Black)	2				
11	91510-06141	Bolt w/Washer	3				
12	90196-08651	Nut	1				
13	90258-08001	Lock Washer	1				

Fleetwood American Eagle (1991 - 2000)



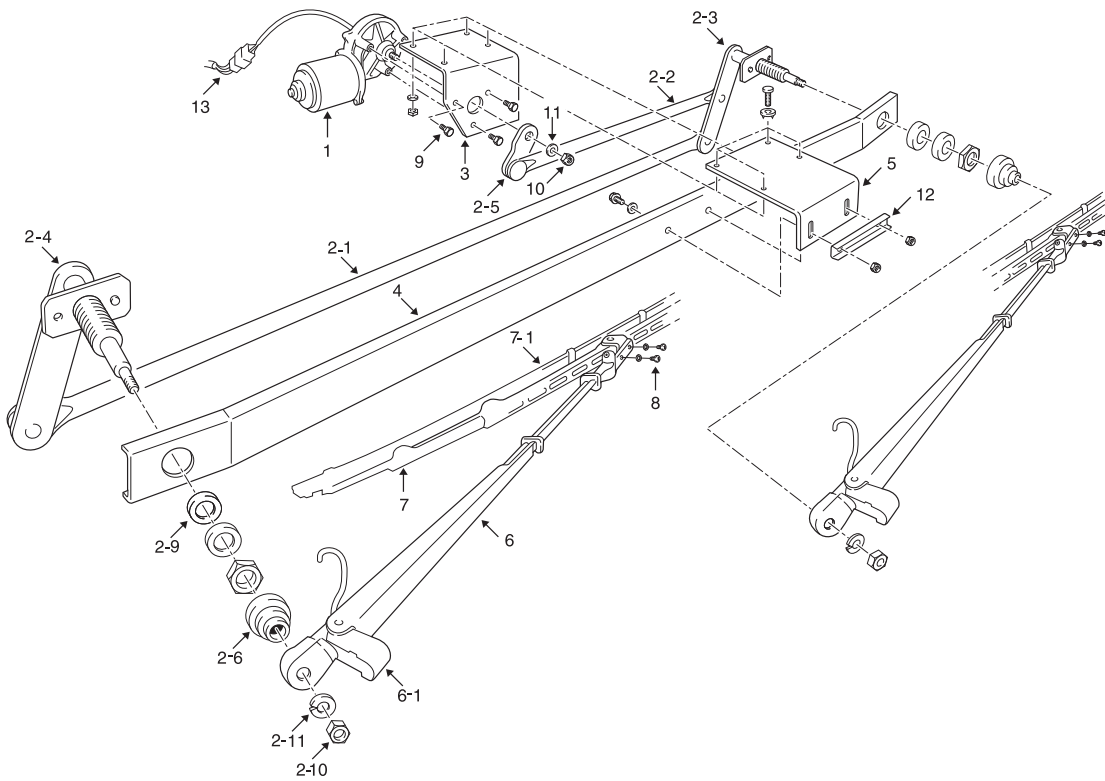
ITEM NO.	PART NO.	DESCRIPTION	QTY/UNIT	ITEM NO.	PART NO.	DESCRIPTION	QTY/UNIT
1	159100-7370	Wiper Motor	1	11	91510-06141	Bolt w/Washer	3
2	LA146499-2051	Wiper Motor Bracket (1995-2000 Wide Body)	1	12	90196-08651	Nut	1
3	059800-9850	Link Assembly (Includes 3-1 thru 3-9)	1	13	90258-08001	Lock Washer	1
3-1	159960-3760	Pivot (Passenger)	1	14	LA246440-5780	Wiring Adapter (1994-1995)	1
3-2	059828-6710	Tie Rod (Passenger)	1		060090-0010	Service Kit, Passenger Arm Hardware (Includes 7-3 thru 7-6)	
3-3	059840-0250	Tie Rod, w/Crank Arm (Driver)	1		060090-0030	Service Kit, Water Nozzle Parts (See Page 1)	
3-4	159960-3770	Pivot (Driver)	1		060800-0550	Windshield Washer Kit (See Page 1)	
3-5	059901-1140	Rubber Cap	2		550597-9020	Variable Intermittent Wiper Switch (See Page 2)	
3-6	949050-4160	20mm Hex Nut	2				
3-7	949011-7750	20mm Washer	2				
3-8	912601-0061	10mm Hex Nut	2				
3-9	902581-0001	Lock Washer	2				
4	LA146499-0600	Wiper Stay A	1				
5	LA146499-1930	Wiper Stay B	1				
6	LA146499-1958	Bolt Lock	1				
7	460010-2590	Arm Assembly (Passenger, Includes 7-1 thru 7-8)	1				
7-1	060062-0090	Arm Base (Passenger)	1				
7-2	060054-0432	Plastic Cap	2				
7-3	857048-2401	Gasket (Passenger)	1				
7-4	857059-0020	Cap Screw	2				
7-5	857056-0040	3mm Hex Nut	2				
7-6	857174-0020	Lock Washer	2				
7-7	949007-5680	Set Screw w/Washer	4				
7-8	060029-0060	Back Plate	2				
8	160050-7410	Arm Assembly (Driver, Includes 8-1, 8-2, 7-2, 7-4 thru 7-8)	1				
8-1	060062-0100	Arm Base (Driver)	1				
8-2	857048-2410	Gasket (Driver)	1				
9	LA160100-7670	Blade Assembly (Includes 9-1)	2				
9-1	LA060150-0010	Rubber Blade w/Backing	2				
10	LA91120-00108	Hex Bolt (Black)	2				

Fleetwood American Flyer (1995)



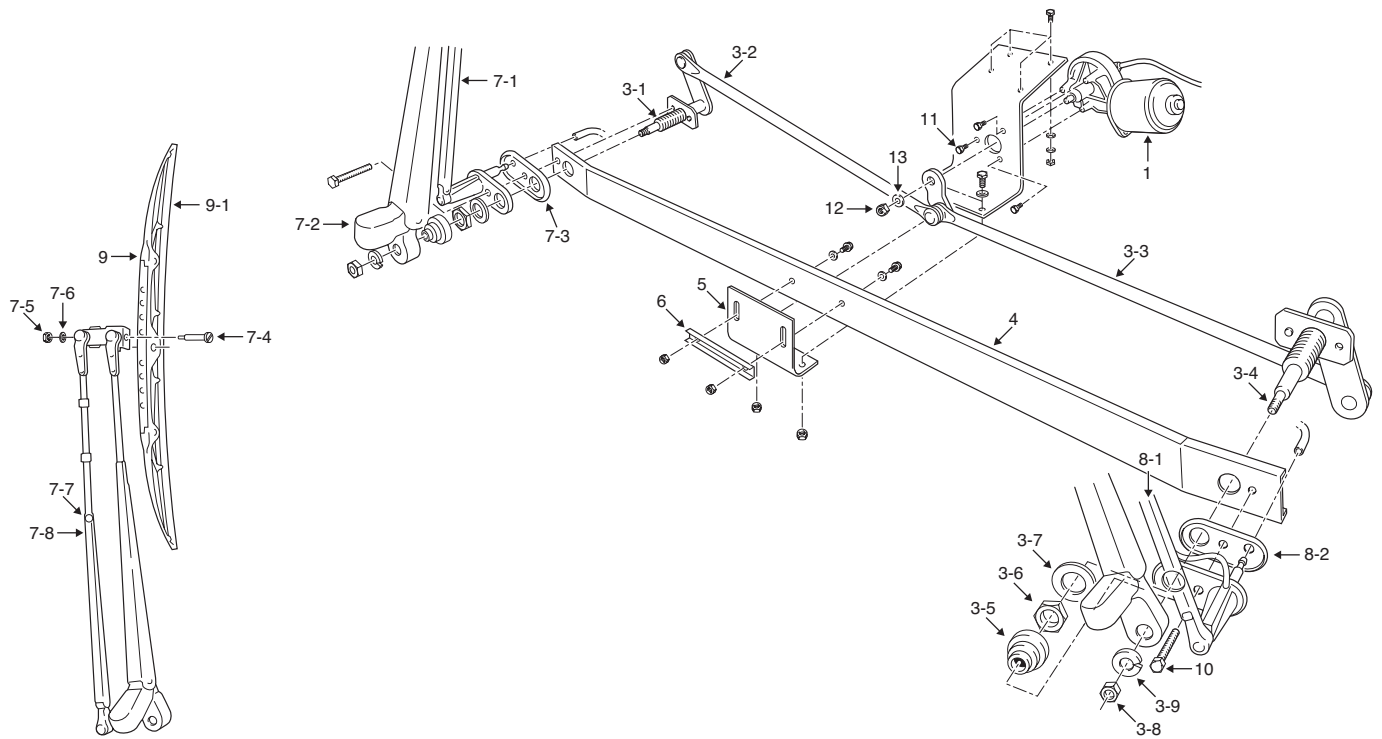
ITEM NO.	PART NO.	DESCRIPTION	QTY/ UNIT
1	159100-3220	Wiper Motor	1
2	159800-1870	Link Assembly (Includes 2-1 thru 2-7)	1
2-1	159960-4310	Pivot Assy. (Driver)	1
2-2	059901-1140	Rubber Cap	2
2-3	949050-4160	20mm Hex Nut	2
2-6	912601-0061	10mm Hex Nut	2
2-7	902581-0001	Lock Washer	2
6	160050-7510	Arm Assembly (Passenger/Driver)	2
7	857044-1052	Plastic Cap	2
8	LA847210-0840	Blade Assembly (Includes 8-1)	2
8-1	LA060150-0150	Rubber Blade w/Backing	2
9	949007-2540	Screw w/Washer	4
10	91510-06141	Bolt w/Washer	3
11	90196-08651	Nut	1
12	902580-8001	Lock Washer	1
13	LA146499-1958	Bolt Lock	1
14	LA246440-5780	Wiring Adapter	1
15	LA146305-0450	Bulkhead Fitting	2
	060090-0070	Service Kit, Water Nozzle Parts (See Page 1)	
	060800-0550	Windshield Washer Kit (See Page 1)	
	550597-9010	Variable Intermittent Wiper Switch (See Page 2)	

Fleetwood American Heritage (2005 - 2008)



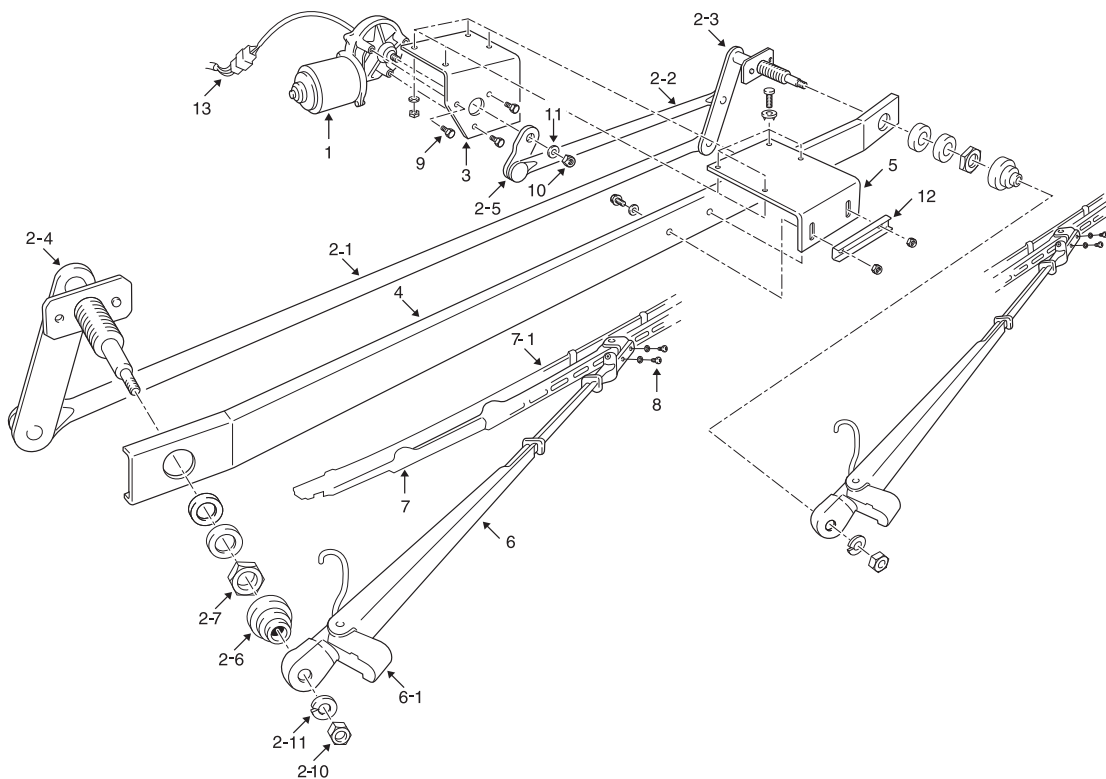
ITEM NO.	PART NO.	DESCRIPTION	QTY/ UNIT
1	159100-3220	Wiper Motor	1
2-1	159827-4160	Tie Rod	1
2-2	159827-4150	Tie Rod	1
2-3	159950-1000	Pivot (Driver Side)	1
2-4	159960-9310	Pivot (Passenger Side)	1
2-5	859434-3990	Crank Arm	1
2-6	059901-1140	Rubber Cap	2
2-9	859905-2480	Rubber Grommet	2
2-10	912601-0061	10mm Hex Nut	2
2-11	902581-0001	Lock Washer	2
3	LAY46499-0160	Wiper Motor Bracket	1
4	LAY46499-0180	Wiper Stay A	1
5	LAY46499-0170	Wiper Stay B	1
6	460050-3340	Arm Assembly (Passenger/Driver, Includes 6-1)	2
6-1	857044-1052	Plastic Cap	2
7	LA847210-0840	Blade Assembly (Includes 7-1)	2
7-1	LA060150-0150	Rubber Blade w/Backing	2
8	949007-2540	Screw w/Washer	4
9	91510-06141	Bolt w/Washer	3
10	90196-08651	Nut	1
11	902580-8001	Lock Washer	1
12	LA146499-1958	Bolt Lock	1
13	LA246440-5780	Wiring Adapter	1
	060090-0070	Service Kit, Water Nozzle Parts (See Page 1)	

Fleetwood American Heritage (1999 - 2004)



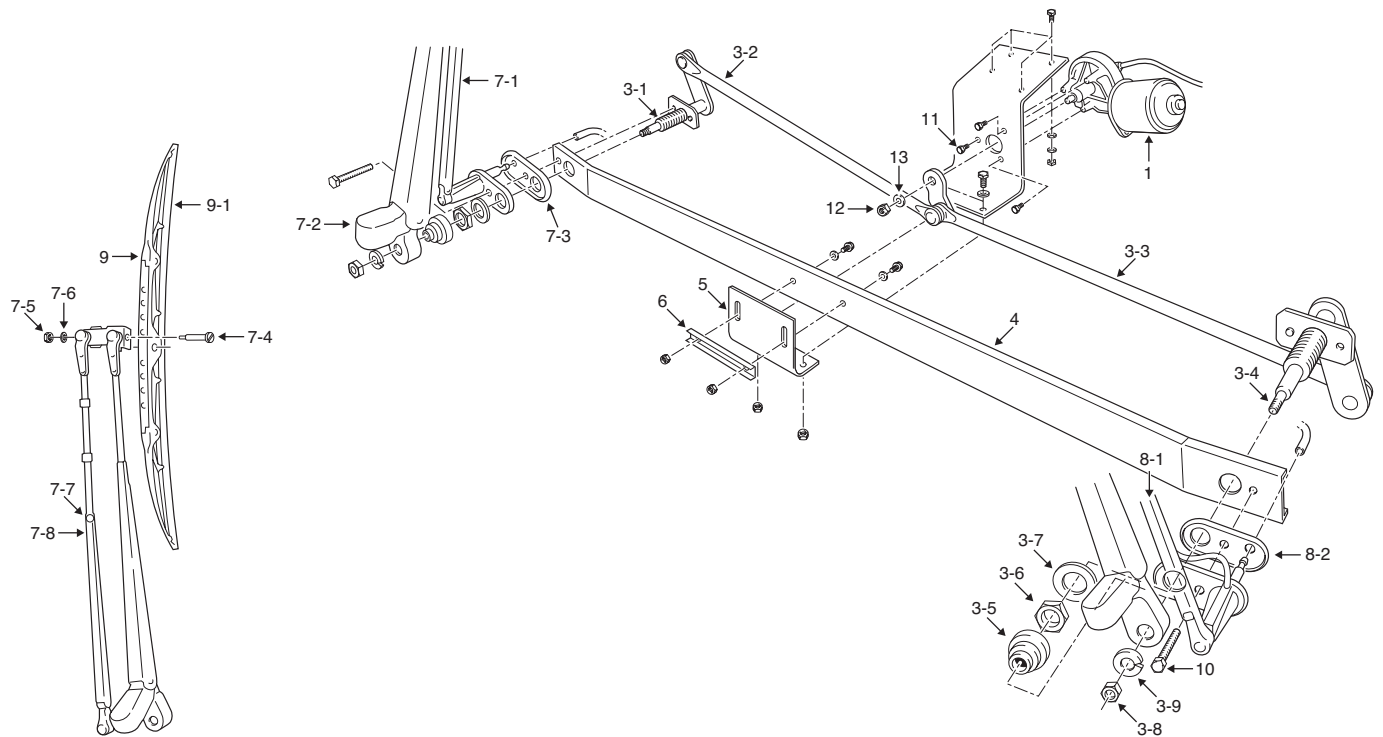
ITEM NO.	PART NO.	DESCRIPTION	QTY/ UNIT	ITEM NO.	PART NO.	DESCRIPTION	QTY/ UNIT
1	159100-7370	Wiper Motor	1	060090-0010	Service Kit, Passenger Arm Hardware (Includes 7-3 thru 7-6)		
3-1	159960-9440	Pivot (Passenger)	1	060090-0030	Service Kit, Water Nozzle Parts (See Page 1)		
3-2	159828-2081	Tie Rod (Passenger)	1	060800-0550	Windshield Washer Kit (See Page 1)		
3-3	059840-0380	Tie Rod, w/Crank Arm (Driver)	1	550597-9010	Variable Intermittent Wiper Switch (See Page 2)		
3-4	159960-9430	Pivot (Driver)	1				
3-5	059901-1140	Rubber Cap	2				
3-6	949050-4160	20mm Hex Nut	2				
3-7	949011-7750	20mm Washer	2				
3-8	912601-0061	10mm Hex Nut	2				
3-9	902581-0001	Lock Washer	2				
4	LA146499-226A	Wiper Stay A	1				
5	LA146499-1929	Wiper Stay B	1				
6	LA146499-1958	Bolt Lock	1				
7	160010-9921	Arm Assembly (Passenger, Includes 7-1 thru 7-8)	1				
7-1	060062-0090	Arm Base	1				
7-2	060054-0432	Plastic Cap	2				
7-3	857048-2401	Gasket	1				
7-4	857059-0020	Cap Screw	2				
7-5	857056-0040	3mm Hex Nut	2				
7-6	857174-0020	Lock Washer	2				
7-7	949007-5680	Set Screw w/Washer	4				
7-8	060029-0060	Back Plate	2				
8	160050-5801	Arm Assembly (Driver, Includes 8-1, 8-2, 7-2, 7-4 thru 7-8)	1				
8-1	060062-0100	Arm Base	1				
8-2	857048-2410	Gasket	1				
9	LA160100-7670	Blade Assembly (Includes 9-1)	2				
9-1	LA060150-0010	Rubber Blade w/Backing	2				
10	LA91120-00108	Hex Bolt (Black)	2				
11	91510-06141	Bolt w/Washer	3				
12	90196-08651	Nut	1				
13	90258-08001	Lock Washer	1				

Fleetwood American Tradition (2004 - 2008)



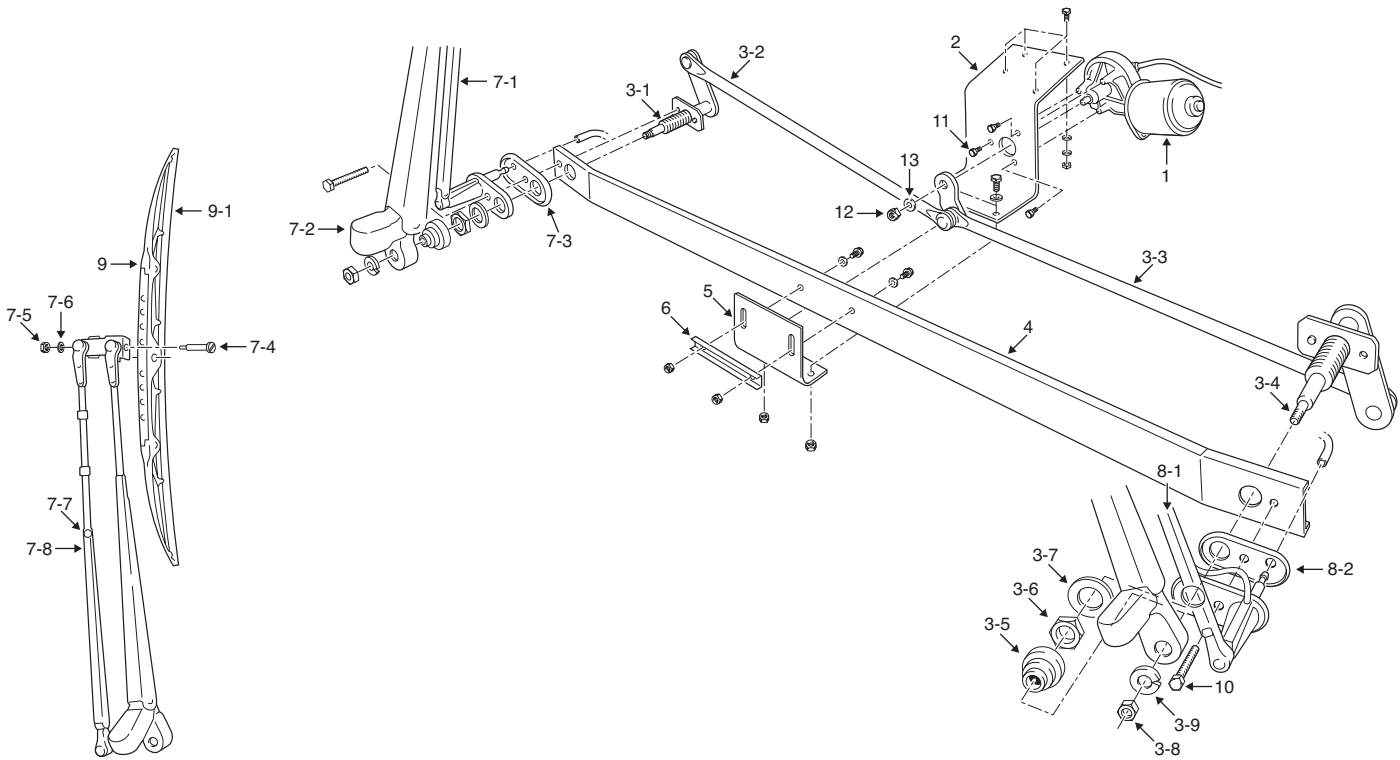
ITEM NO.	PART NO.	DESCRIPTION	QTY/ UNIT
1	159100-3220	Wiper Motor	1
2-1	159827-4160	Tie Rod	1
2-2	159827-4150	Tie Rod	1
2-3	159950-1000	Pivot (Driver Side)	1
2-4	159960-9310	Pivot (Passenger Side)	1
2-5	859434-3990	Crank Arm	1
2-6	059901-1140	Rubber Cap	2
2-7	949050-4160	20mm Hex Nut	2
2-10	912601-0061	10mm Hex Nut	2
2-11	902581-0001	Lock Washer	2
3	LAY46499-0160	Wiper Motor Bracket	1
4	LAY46499-0180	Wiper Stay A.	1
5	LAY46499-0170	Wiper Stay B.	1
6	460050-3340	Arm Assembly (Passenger/Driver, Includes 6-1)	2
6-1	857044-1052	Plastic Cap	2
7	LA847210-0840	Blade Assembly (Includes 7-1)	2
7-1	LA060150-0150	Rubber Blade w/Backing	2
8	949007-2540	Screw w/Washer	4
9	91510-06141	Bolt w/Washer	3
10	90196-08651	Nut	1
11	902580-8001	Lock Washer	1
12	LA146499-1958	Bolt Lock	1
13	LA246440-5780	Wiring Adapter	1
	060090-0070	Service Kit, Water Nozzle Parts (See Page 1)	

Fleetwood American Tradition (2001 - 2003)



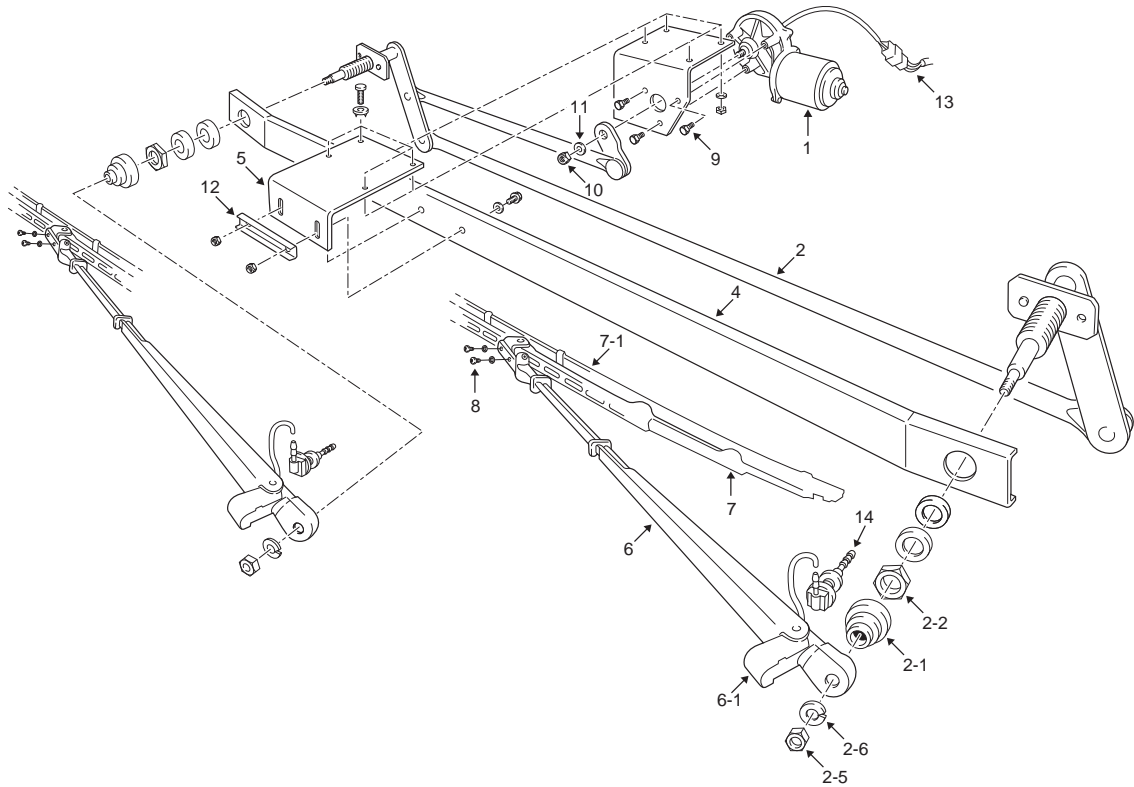
ITEM NO.	PART NO.	DESCRIPTION	QTY/UNIT	ITEM NO.	PART NO.	DESCRIPTION	QTY/UNIT
1	159100-7370	Wiper Motor	1		060090-0010	Service Kit, Passenger Arm Hardware (Includes 7-3 thru 7-6)	
3-1	059901-1140	Rubber Cap	2		060090-0030	Service Kit, Water Nozzle Parts (See Page 1)	
3-2	949050-4160	20mm Hex Nut	2		060800-0550	Windshield Washer Kit (See Page 1)	
3-3	949011-7750	20mm Washer	2		550597-9010	Variable Intermittent Wiper Switch (See Page 2)	
3-4	912601-0061	10mm Hex Nut	2				
3-5	902581-0001	Lock Washer	2				
3-6	949050-4160	20mm Hex Nut	2				
3-7	949011-7750	20mm Washer	2				
3-8	912601-0061	10mm Hex Nut	2				
3-9	90258-10001	Lock Washer	2				
4	LA146499-226A	Wiper Stay A	1				
5	LA146499-1929	Wiper Stay B	1				
6	LA146499-1958	Bolt Lock	1				
7	160010-9921	Arm Assembly (Passenger, Includes 7-1 thru 7-8)	1				
7-1	060062-0090	Arm Base	1				
7-2	060054-0432	Plastic Cap	2				
7-3	857048-2401	Gasket	1				
7-4	857059-0020	Cap Screw	2				
7-5	857056-0040	3mm Hex Nut	2				
7-6	857174-0020	Lock Washer	2				
7-7	949007-5680	Set Screw w/Washer	4				
7-8	060029-0060	Back Plate	2				
8	160050-5801	Arm Assembly (Driver, Includes 8-1, 8-2, 7-2, 7-4 thru 7-8)	1				
8-1	060062-0100	Arm Base	1				
8-2	857048-2410	Gasket	1				
9	LA160100-7670	Blade Assembly (Includes 9-1)	2				
9-1	LA060150-0010	Rubber Blade w/Backing	2				
10	LA91120-00108	Hex Bolt (Black)	2				
11	91510-06141	Bolt w/Washer	3				
12	90196-08651	Nut	1				
13	90258-08001	Lock Washer	1				

Fleetwood American Tradition (1996 - 2000)



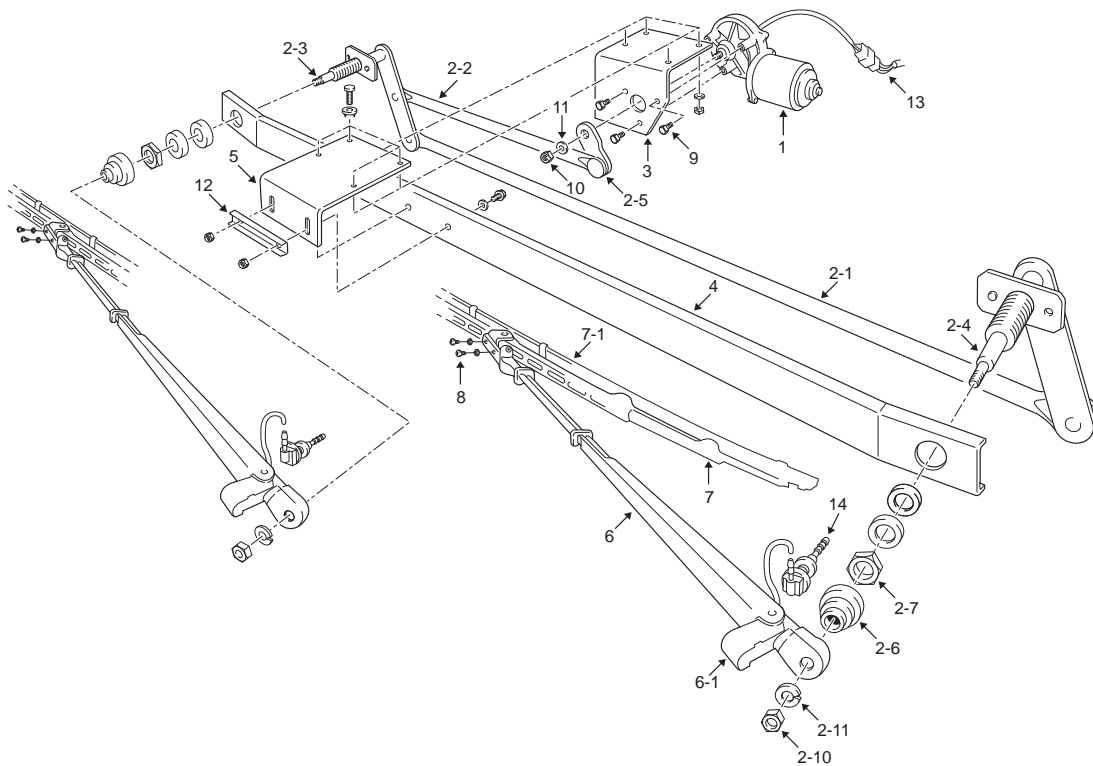
ITEM NO.	PART NO.	DESCRIPTION	QTY/UNIT	ITEM NO.	PART NO.	DESCRIPTION	QTY/UNIT
1	159100-7370	Wiper Motor	1	12	90196-08651	Nut	1
2	LA146499-2051	Wiper Motor Bracket	1	13	90258-08001	Lock Washer	1
3	059800-9850	Link Assembly (Includes 3-5 thru 3-9)	1	060090-0010		Service Kit, Passenger Arm Hardware (Includes 7-3 thru 7-6)	
3-1	159960-3760	Pivot (Passenger)	1	060090-0030		Service Kit, Water Nozzle Parts (See Page 1)	
3-2	059828-6710	Tie Rod (Passenger)	1	060800-0550		Windshield Washer Kit (See Page 1)	
3-3	059840-0250	Tie Rod, w/Crank Arm (Driver)	1	550597-9010		Variable Intermittent Wiper Switch (See Page 2)	
3-4	159960-3770	Pivot (Driver)	1				
3-5	059901-1140	Rubber Cap	2				
3-6	949050-4160	20mm Hex Nut	2				
3-7	949011-7750	20mm Washer	2				
3-8	912601-0061	10mm Hex Nut	2				
3-9	902581-0001	Lock Washer	2				
4	LA146499-0600	Wiper Stay A	1				
5	LA146499-1930	Wiper Stay B	1				
6	LA146499-1958	Bolt Lock	1				
7	460010-2590	Arm Assembly (Passenger, Includes 7-1 thru 7-8)	1				
7-1	060062-0090	Arm Base	1				
7-2	060054-0432	Plastic Cap	2				
7-3	857048-2401	Gasket	1				
7-4	857059-0020	Cap Screw	2				
7-5	857056-0040	3mm Hex Nut	2				
7-6	857174-0020	Lock Washer	2				
7-7	949007-5680	Set Screw w/Washer	4				
7-8	060029-0060	Back Plate	2				
8	160050-7410	Arm Assembly (Driver, Includes 8-1, 8-2, 7-2, 7-4 thru 7-8)	1				
8-1	060062-0100	Arm Base	1				
8-2	857048-2410	Gasket	1				
9	LA160100-7670	Blade Assembly (Includes 9-1)	2				
9-1	LA060150-0010	Rubber Blade w/Backing	2				
10	LA91120-00108	Hex Bolt (Black)	2				
11	91510-06141	Bolt w/Washer	3				

Fleetwood Bounder (2006 - 2009)



ITEM NO.	PART NO.	DESCRIPTION	QTY/ UNIT
1	159100-3220	Wiper Motor	1
2	159800-4470	Link Assembly (Includes 2-1 thru 2-6)	1
2-1	059901-1140	Rubber Cap	2
2-2	949050-4160	20mm Hex Nut	2
2-5	912601-0061	10mm Hex Nut	2
2-6	902581-0001	Lock Washer	2
4	LA146499-226A	Wiper Stay A	1
5	LA146499-224A	Wiper Stay B	1
6	160050-7810	Arm Assembly (Passenger/Driver, Includes 6-1)	2
6-1	857044-1052	Plastic Cap	2
7	LA847210-0840	Blade Assembly (Includes 7-1)	2
7-1	LA060150-0150	Rubber Blade w/Backing	2
8	949007-2540	Screw w/Washer	4
9	91510-06141	Bolt w/Washer	3
10	90196-08651	Nut	1
11	902580-8001	Lock Washer	1
12	LA146499-1958	Bolt Lock	1
13	LA246440-5780	Wiring Adapter for Ford/Diesel Chassis only	1
	LA246460-399A	Wiring Adapter for Workhorse Chassis only	1
14	LA146305-0450	Bulkhead Fitting	2
	060090-0070	Service Kit, Water Nozzle Parts (See Page 1)	
	060800-0550	Windshield Washer Kit (See Page 1)	
	550597-9010	Variable Intermittent Wiper Switch (See Page 2)	

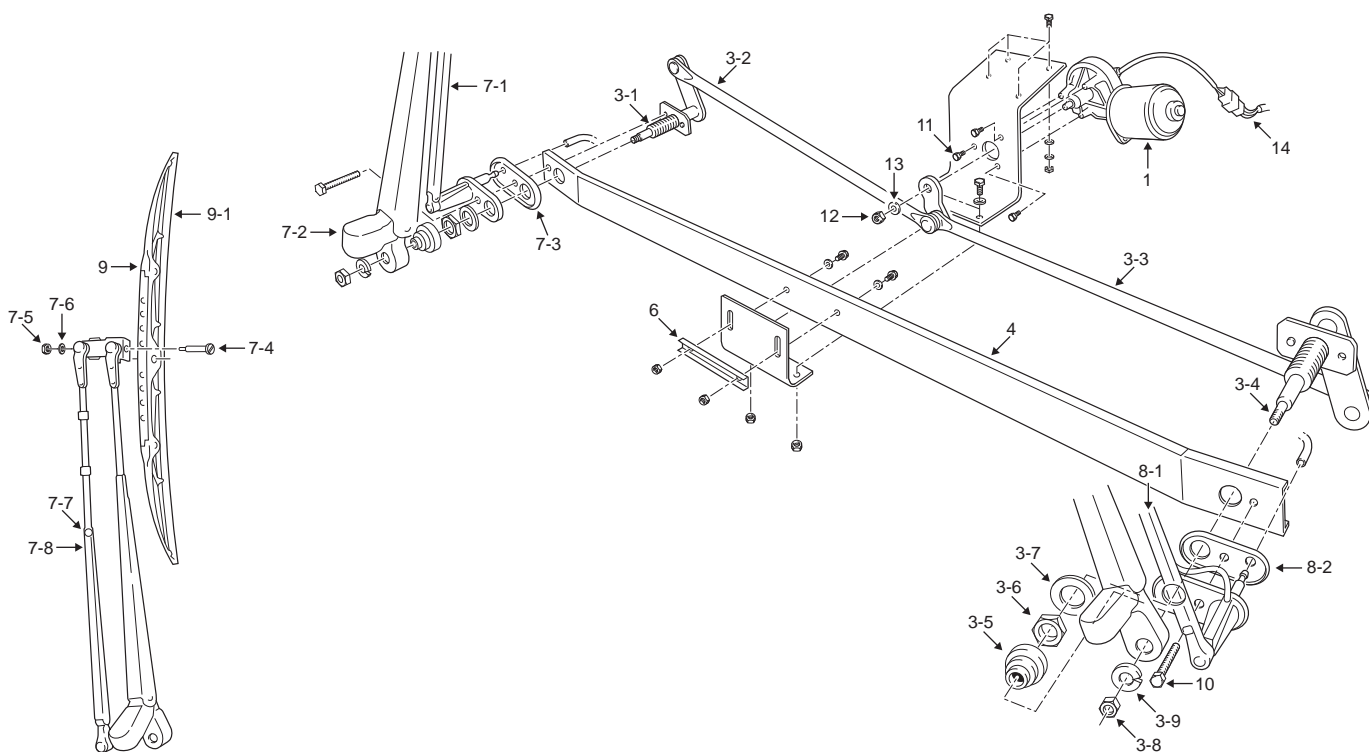
Fleetwood Bounder (1992 - 2005)



ITEM NO.	PART NO.	DESCRIPTION	QTY/UNIT
1	159100-3220	Wiper Motor for Ford/Diesel and Workhorse W22 Chassis only	1
	159100-7520	Wiper Motor for GM/Workhorse (except W22) Chassis only	1
2	159800-0330	Link Assembly (Includes 2-1 thru 2-11)	1
2-1	059828-7170	Tie Rod	1
2-2	059828-7160	Tie Rod	1
2-3	159960-4300	Pivot (Passenger)	1
2-4	159960-4310	Pivot (Driver)	1
2-5	059434-1280	Crank Arm	1
2-6	059901-1140	Rubber Cap	2
2-7	949050-4160	20mm Hex Nut	2
2-10	912601-0061	10mm Hex Nut	2
2-11	902581-0001	Lock Washer	2
3	LA146499-221A	Wiper Motor Bracket	1
4	LA146499-2221	Wiper Stay A.	1
5	LA146499-224A	Wiper Stay B.	1
6	160050-7810	Arm Assembly (Passenger/Driver, Includes 6-1)	2
6-1	857044-1052	Plastic Cap	2
7	LA847210-0840	Blade Assembly (Includes 7-1)	2
7-1	LA060150-0150	Rubber Blade w/Backing	2
8	949007-2540	Screw w/Washer	4
9	91510-06141	Bolt w/Washer	3
10	90196-08651	Nut	1
11	902580-8001	Lock Washer	1
12	LA146499-1958	Bolt Lock	1

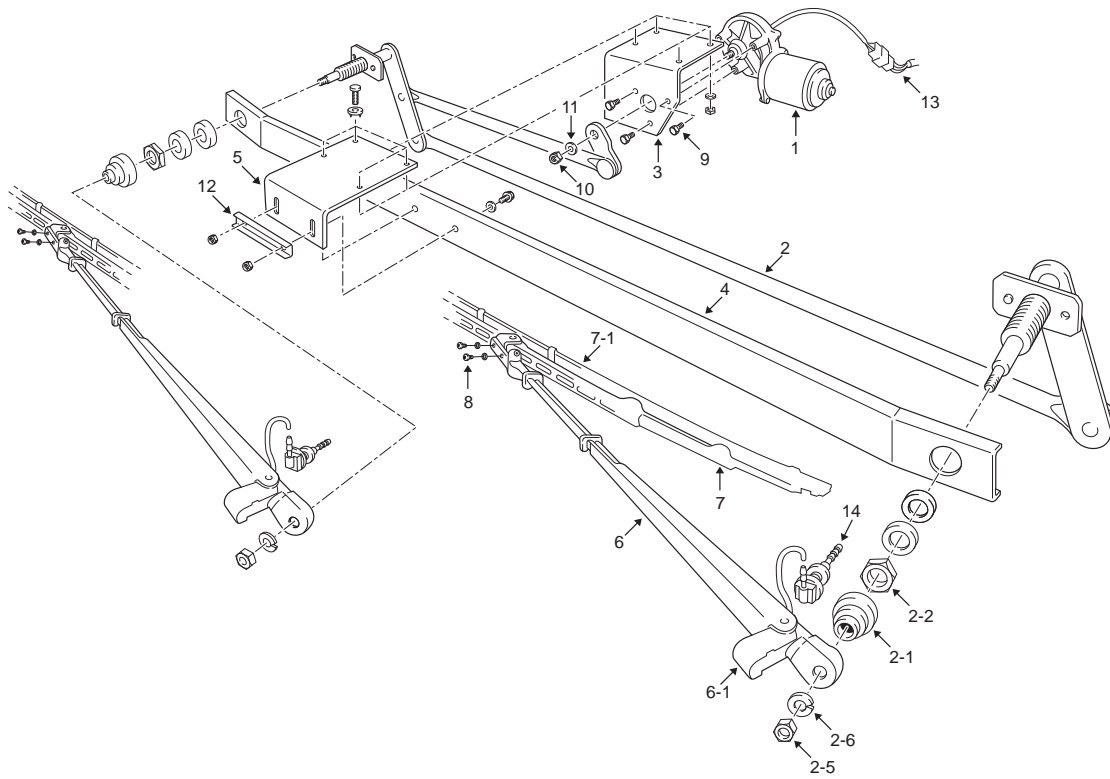
ITEM NO.	PART NO.	DESCRIPTION	QTY/UNIT
13	LA246440-5780	Wiring Adapter Ford/Diesel Chassis only	1
	LA246440-2060	Wiring Adapter for GM Chassis only (thru mid 1994)	1
	LA246450-4170	Wiring Adapter for GM/Workhorse Chassis only (mid 1994 - 2005)	1
	LA246460-399A	Wiring Adapter for GM P12/Workhorse W22 Chassis only	1
14	LA146305-0450	Bulkhead Fitting	2
	060090-0070	Service Kit, Water Nozzle Parts (See Page 1)	
	060800-0550	Windshield Washer Kit (See Page 1)	
	550597-9010	Variable Intermittent Wiper Switch (See Page 2)	

Fleetwood Coronado (1992 - 1995)



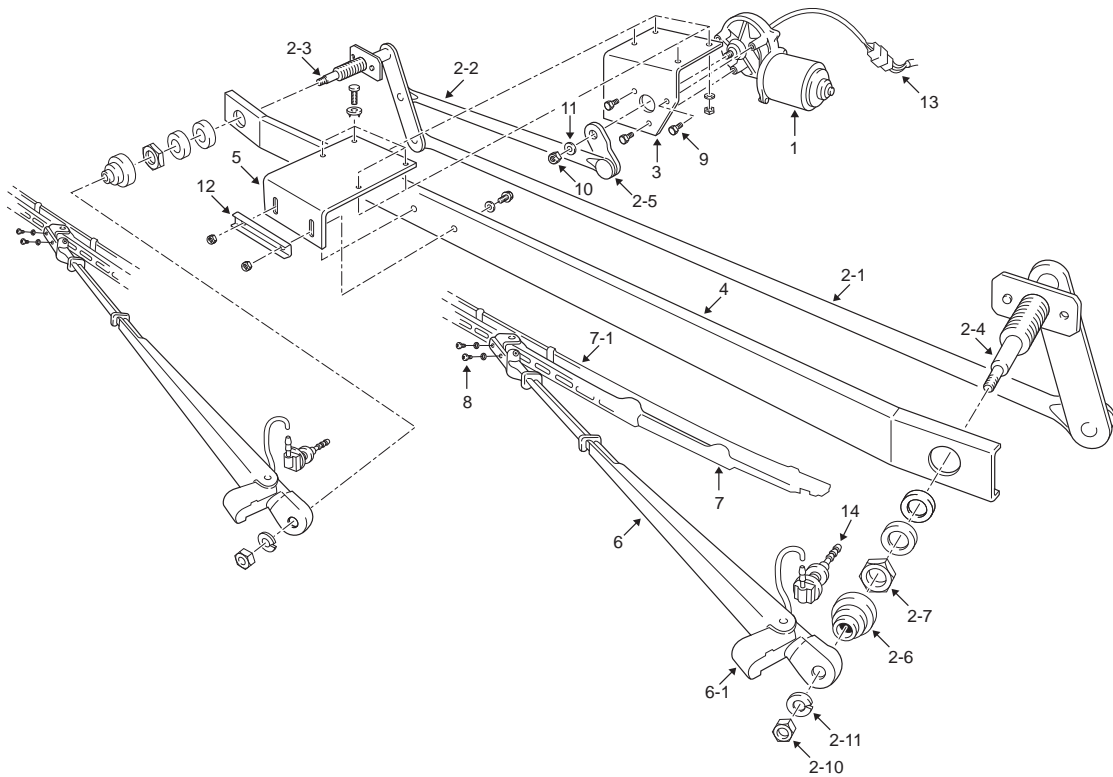
ITEM NO.	PART NO.	DESCRIPTION	QTY/UNIT	ITEM NO.	PART NO.	DESCRIPTION	QTY/UNIT
1	159100-3220	Wiper Motor for Ford Chassis only .	1	13	90258-08001	Lock Washer	1
	159100-7520	Wiper Motor for GM Chassis only. .	1	14	LA246440-5780	Wiring Adapter Ford/Diesel Chassis only	1
3	059800-9800	Link Assembly (Includes 3-1 thru 3-9)	1		LA246440-2060	Wiring Adapter for GM Chassis only (thru mid 1994)	1
3-1	159960-3760	Pivot (Passenger)	1		LA246450-4170	Wiring Adapter for GM Chassis only (mid 1994 - 1995)	1
3-2	059828-6670	Tie Rod (Passenger)	1		060090-0010	Service Kit, Passenger Arm Hardware (Includes 7-3 thru 7-6)	
3-3	059840-0300	Tie Rod, w/Crank Arm (Driver)	1		060090-0030	Service Kit, Water Nozzle Parts (See Page 1)	
3-4	159960-3770	Pivot (Driver)	1		060800-0550	Windshield Washer Kit (See Page 1)	
3-5	059901-1140	Rubber Cap	2		550597-9010	Variable Intermittent Wiper Switch (See Page 2)	
3-6	949050-4160	20mm Hex Nut	2				
3-7	949011-7750	20mm Washer	2				
3-8	912601-0061	10mm Hex Nut	2				
3-9	902581-0001	Lock Washer	2				
4	LA146499-0480	Wiper Stay A.	1				
6	LA146499-1958	Bolt Lock	1				
7	160010-9411	Arm Assembly (Passenger, Includes 7-1 thru 7-8)	1				
7-1	060062-0090	Arm Base	1				
7-2	060054-0432	Plastic Cap	2				
7-3	857048-2401	Gasket	1				
7-4	857059-0020	Cap Screw	2				
7-5	857056-0040	3mm Hex Nut	2				
7-6	857174-0020	Lock Washer	2				
7-7	949007-5680	Set Screw w/Washer	4				
7-8	060029-0060	Back Plate	2				
8	160050-5461	Arm Assembly (Driver, Includes 8-1, 8-2, 7-2, 7-4 thru 7-8)	1				
8-1	060062-0100	Arm Base	1				
8-2	857048-2410	Gasket	1				
9	LA160100-8780	Blade Assembly (Includes 9-1)	2				
9-1	LA060112-3650	Rubber Blade	2				
10	LA91120-00108	Hex Bolt (Black)	2				
11	91510-06141	Bolt w/Washer	3				
12	90196-08651	Nut.	1				

Fleetwood Discovery (2000 - 2008)



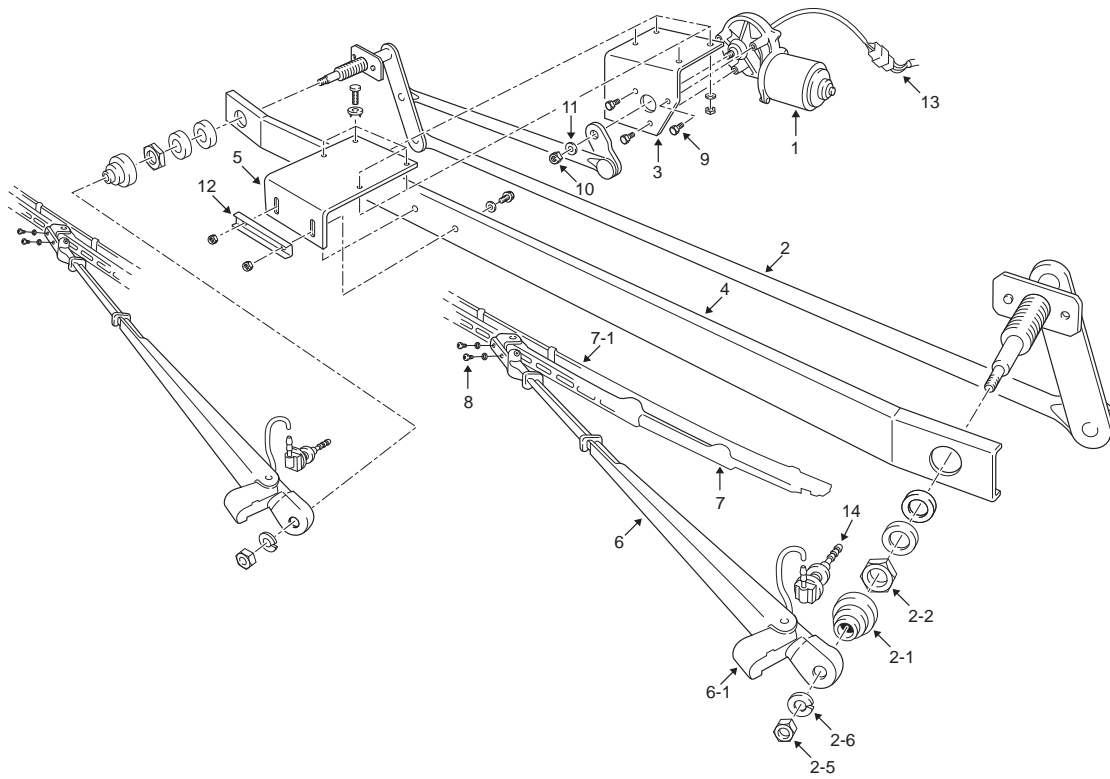
ITEM NO.	PART NO.	DESCRIPTION	QTY/UNIT
1	159100-3220	Wiper Motor	1
2	159800-4470	Link Assembly (Includes 2-1 thru 2-6)	1
2-1	059901-1140	Rubber Cap	2
2-2	949050-4160	20mm Hex Nut	2
2-5	912601-0061	10mm Hex Nut	2
2-6	902581-0001	Lock Washer	2
3	LA146499-221A	Wiper Motor Bracket (2000 - 2003)	1
4	LAY46499-0030	Wiper Stay A	1
5	LA146499-224A	Wiper Stay B (2000 - 2003)	1
6	160050-7810	Arm Assembly (Passenger/Driver, Includes 6-1)	2
6-1	857044-1052	Plastic Cap	2
7	LA847210-0840	Blade Assembly (Includes 7-1)	2
7-1	LA060150-0150	Rubber Blade w/Backing	2
8	949007-2540	Screw w/Washer	4
9	91510-06141	Bolt w/Washer	3
10	90196-08651	Nut	1
11	902580-8001	Lock Washer	1
12	LA146499-1958	Bolt Lock	1
13	LA246440-5780	Wiring Adapter	1
14	LA146305-0450	Bulkhead Fitting	2
	060090-0070	Service Kit, Water Nozzle Parts (See Page 1)	
	060800-0550	Windshield Washer Kit (See Page 1)	
	550597-9010	Variable Intermittent Wiper Switch (See Page 2)	

Fleetwood Discovery (1996 - 1999)



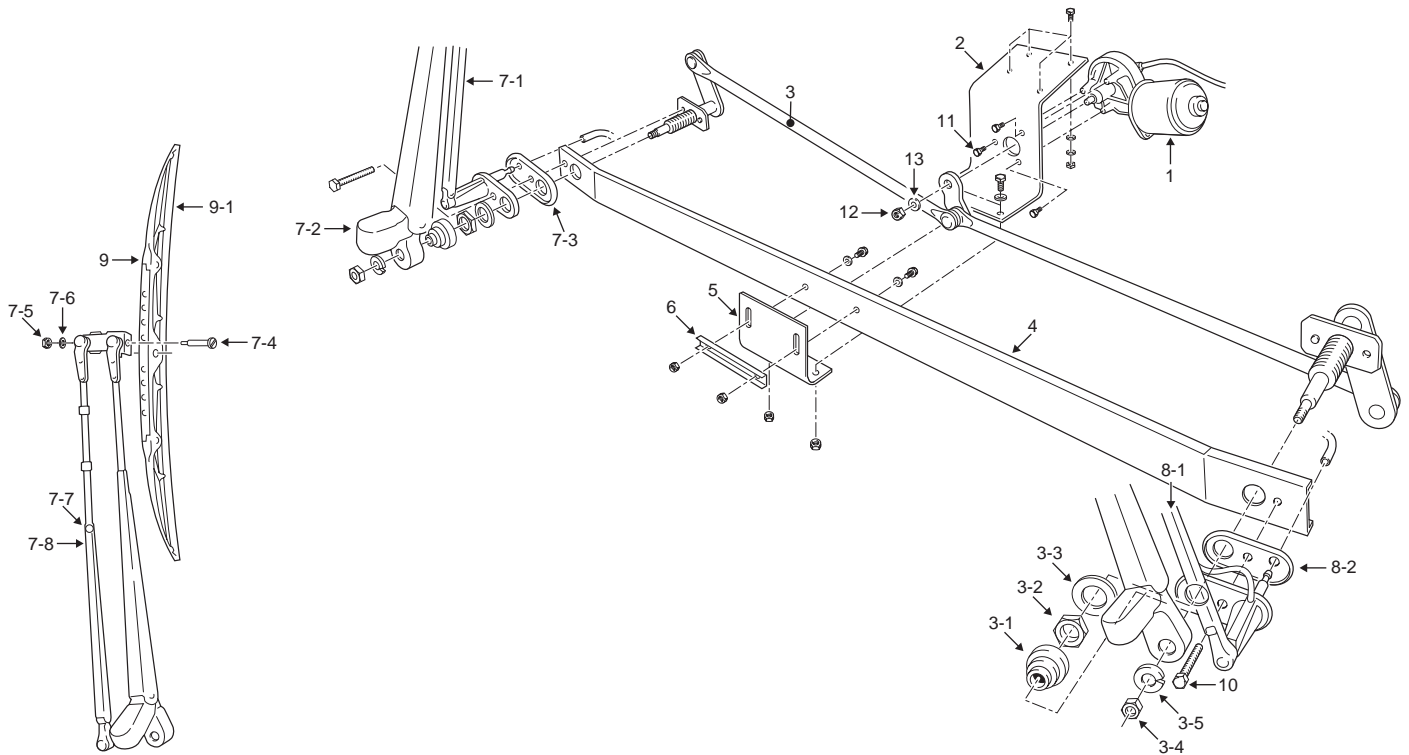
ITEM NO.	PART NO.	DESCRIPTION	QTY/UNIT
1	159100-3220	Wiper Motor	1
2	159800-0330	Link Assembly (Includes 2-1 thru 2-11)	1
2-1	059828-7170	Tie Rod	1
2-2	059828-7160	Tie Rod	1
2-3	159960-4300	Pivot (Passenger)	1
2-4	159960-4310	Pivot (Driver)	1
2-5	059434-1280	Crank Arm	1
2-6	059901-1140	Rubber Cap	2
2-7	949050-4160	20mm Hex Nut	2
2-10	912601-0061	10mm Hex Nut	2
2-11	902581-0001	Lock Washer	2
3	LA146499-221A	Wiper Motor Bracket	1
4	LA146499-2221	Wiper Stay A	1
5	LA146499-224A	Wiper Stay B	1
6	160050-7810	Arm Assembly (Passenger/Driver, Includes 6-1)	2
6-1	857044-1052	Plastic Cap	2
7	LA847210-0840	Blade Assembly (Includes 7-1)	2
7-1	LA060150-0150	Rubber Blade w/Backing	2
8	949007-2540	Screw w/Washer	4
9	91510-06141	Bolt w/Washer	3
10	90196-08651	Nut	1
11	902580-8001	Lock Washer	1
12	LA146499-1958	Bolt Lock	1
13	LA246440-5780	Wiring Adapter	1
14	LA146305-0450	Bulkhead Fitting	2
	060090-0070	Service Kit, Water Nozzle Parts (See Page 1)	
	060800-0550	Windshield Washer Kit (See Page 1)	
	550597-9010	Variable Intermittent Wiper Switch (See Page 2)	

Fleetwood Excursion (mid 2006 - 2008)



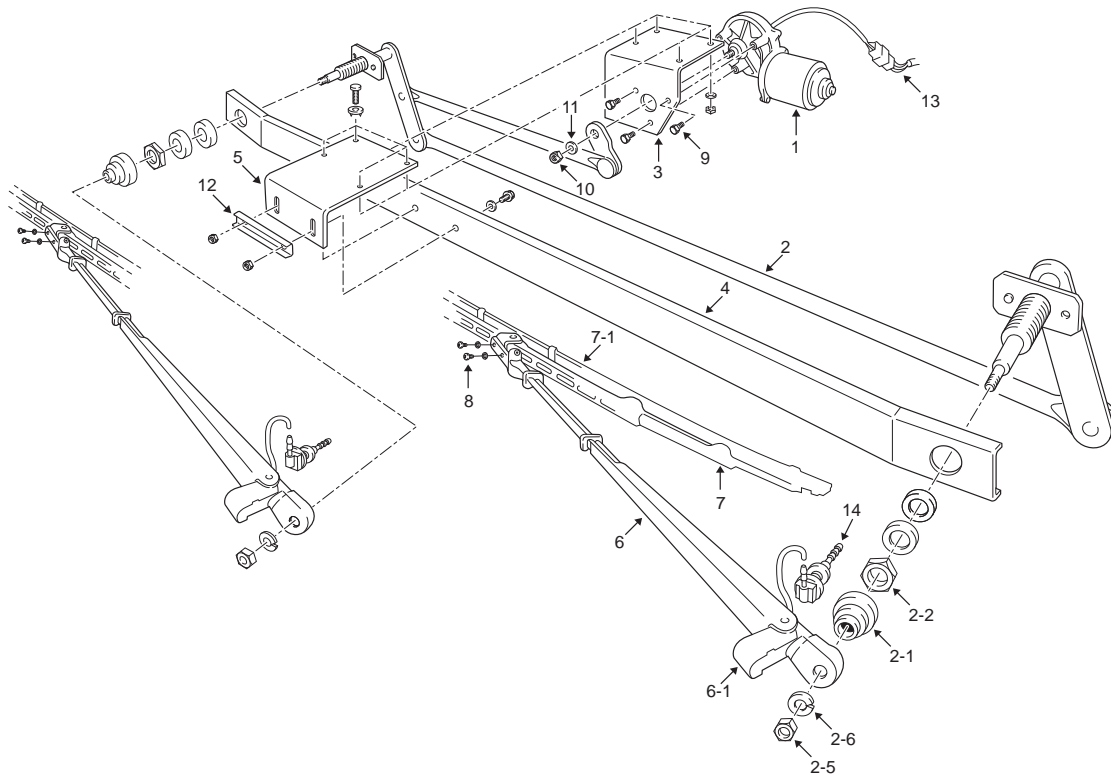
ITEM NO.	PART NO.	DESCRIPTION	QTY/UNIT
1	159100-3220	Wiper Motor	1
2	159800-4470	Link Assembly (Includes 2-1 thru 2-6)	1
2-1	059901-1140	Rubber Cap	2
2-2	949050-4160	20mm Hex Nut	2
2-5	912601-0061	10mm Hex Nut	2
2-6	902581-0001	Lock Washer	2
3	LA146499-221A	Wiper Motor Bracket (2000 - 2003)	1
4	LAY46499-0030	Wiper Stay A	1
5	LA146499-224A	Wiper Stay B (2000 - 2003)	1
6	160050-7810	Arm Assembly (Passenger/Driver, Includes 6-1)	2
6-1	857044-1052	Plastic Cap	2
7	LA847210-0840	Blade Assembly (Includes 7-1)	2
7-1	LA060150-0150	Rubber Blade w/Backing	2
8	949007-2540	Screw w/Washer	4
9	91510-06141	Bolt w/Washer	3
10	90196-08651	Nut	1
11	902580-8001	Lock Washer	1
12	LA146499-1958	Bolt Lock	1
13	LA246440-5780	Wiring Adapter	1
14	LA146305-0450	Bulkhead Fitting	2
	060090-0070	Service Kit, Water Nozzle Parts (See Page 1)	
	060800-0550	Windshield Washer Kit (See Page 1)	
	550597-9010	Variable Intermittent Wiper Switch (See Page 2)	

Fleetwood Excursion (2006 - mid 2006)



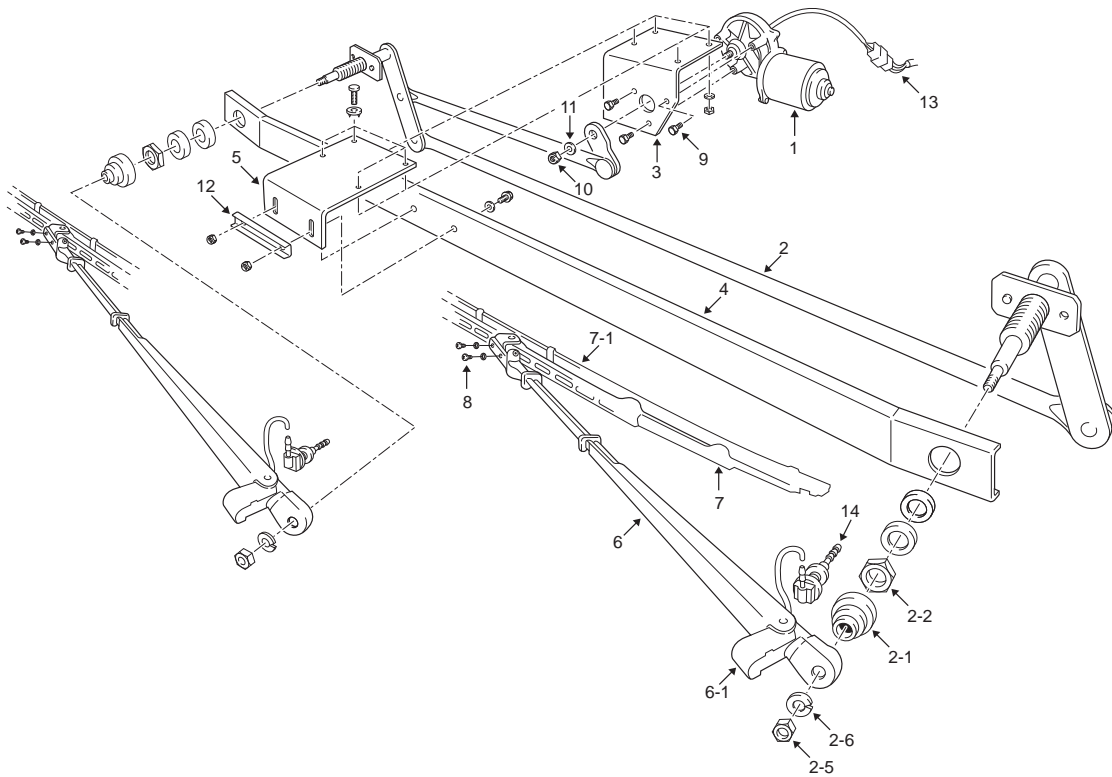
ITEM NO.	PART NO.	DESCRIPTION	QTY/UNIT	ITEM NO.	PART NO.	DESCRIPTION	QTY/UNIT
1	159100-7370	Wiper Motor	1	060090-0010	Service Kit, Passenger Arm Hardware (Includes 7-3 thru 7-6)		
2	LA146499-2270	Wiper Motor Bracket	1	060090-0030	Service Kit, Water Nozzle Parts (See Page 1)		
3	159800-5520	Link Assembly (Includes 3-1 thru 3-5)	1	060800-0550	Windshield Washer Kit (See Page 1)		
3-1	059901-1140	Rubber Cap	2				
3-2	949050-4160	20mm Hex Nut	2				
3-3	949011-7750	20mm Washer	2				
3-4	912601-0061	10mm Hex Nut	2				
3-5	902581-0001	Lock Washer	2				
4	LA146499-226A	Wiper Stay A	1				
5	LA146499-1929	Wiper Stay B	1				
6	LA146499-1958	Bolt Lock	1				
7	160010-9921	Arm Assembly (Passenger, Includes 7-1 thru 7-8)	1				
7-1	060062-0090	Arm Base	1				
7-2	060054-0432	Plastic Cap	2				
7-3	857048-2401	Gasket	1				
7-4	857059-0020	Cap Screw	2				
7-5	857056-0040	3mm Hex Nut	2				
7-6	857174-0020	Lock Washer	2				
7-7	949007-5680	Set Screw w/Washer	4				
7-8	060029-0060	Back Plate	2				
8	160050-5801	Arm Assembly (Driver, Includes 8-1, 8-2, 7-2, 7-4 thru 7-8)	1				
8-1	060062-0100	Arm Base	1				
8-2	857048-2410	Gasket	1				
9	LA160100-7670	Blade Assembly (Includes 9-1)	2				
9-1	LA060150-0010	Rubber Blade w/Backing	2				
10	LA91120-00108	Hex Bolt (Black)	2				
11	91510-06141	Bolt w/Washer	3				
12	90196-08651	Nut	1				
13	90258-08001	Lock Washer	1				

Fleetwood Excursion (2001 - 2005)



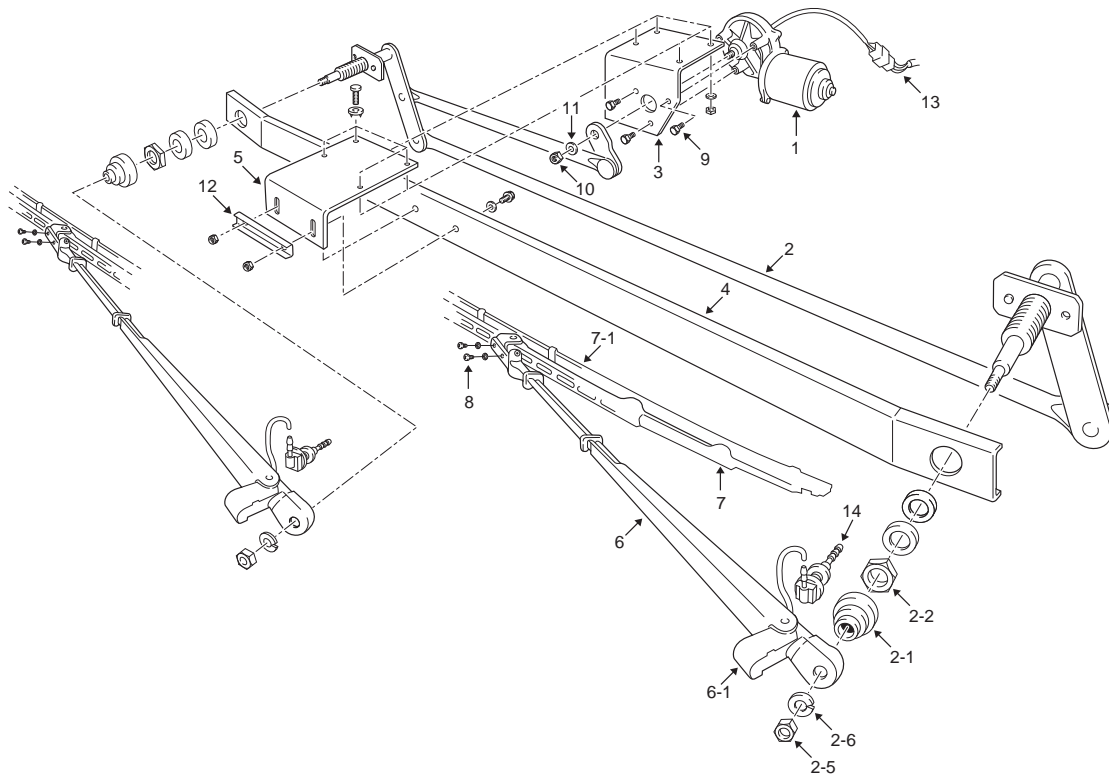
ITEM NO.	PART NO.	DESCRIPTION	QTY/UNIT
1	159100-3220	Wiper Motor	1
2	159800-4470	Link Assembly (Includes 2-1 thru 2-6)	1
2-1	059901-1140	Rubber Cap	2
2-2	949050-4160	20mm Hex Nut	2
2-5	912601-0061	10mm Hex Nut	2
2-6	902581-0001	Lock Washer	2
3	LA146499-221A LA146499-2270	Wiper Motor Bracket (2001 - 2004) Wiper Motor Bracket (2005)	1
4	LAY46499-0030 LAY46499-226A	Wiper Stay A (2001 - 2004) Wiper Stay A (2005)	1
5	LA146499-224A LA146499-1929	Wiper Stay B (2001 - 2004) Wiper Stay B (2005)	1
6	160050-7810	Arm Assembly (Passenger/Driver, Includes 6-1)	2
6-1	857044-1052	Plastic Cap	2
7	LA847210-0840	Blade Assembly (Includes 7-1)	2
7-1	LA060150-0150	Rubber Blade w/Backing	2
8	949007-2540	Screw w/Washer	4
9	91510-06141	Bolt w/Washer	3
10	90196-08651	Nut	1
11	902580-8001	Lock Washer	1
12	LA146499-1958	Bolt Lock	1
13	LA246440-5780	Wiring Adapter	1
14	LA146305-0450	Bulkhead Fitting	2
	060090-0070	Service Kit, Water Nozzle Parts (See Page 1)	
	060800-0550	Windshield Washer Kit (See Page 1)	
	550597-9010	Variable Intermittent Wiper Switch (See Page 2)	

Fleetwood Expedition (2001 - 2008)



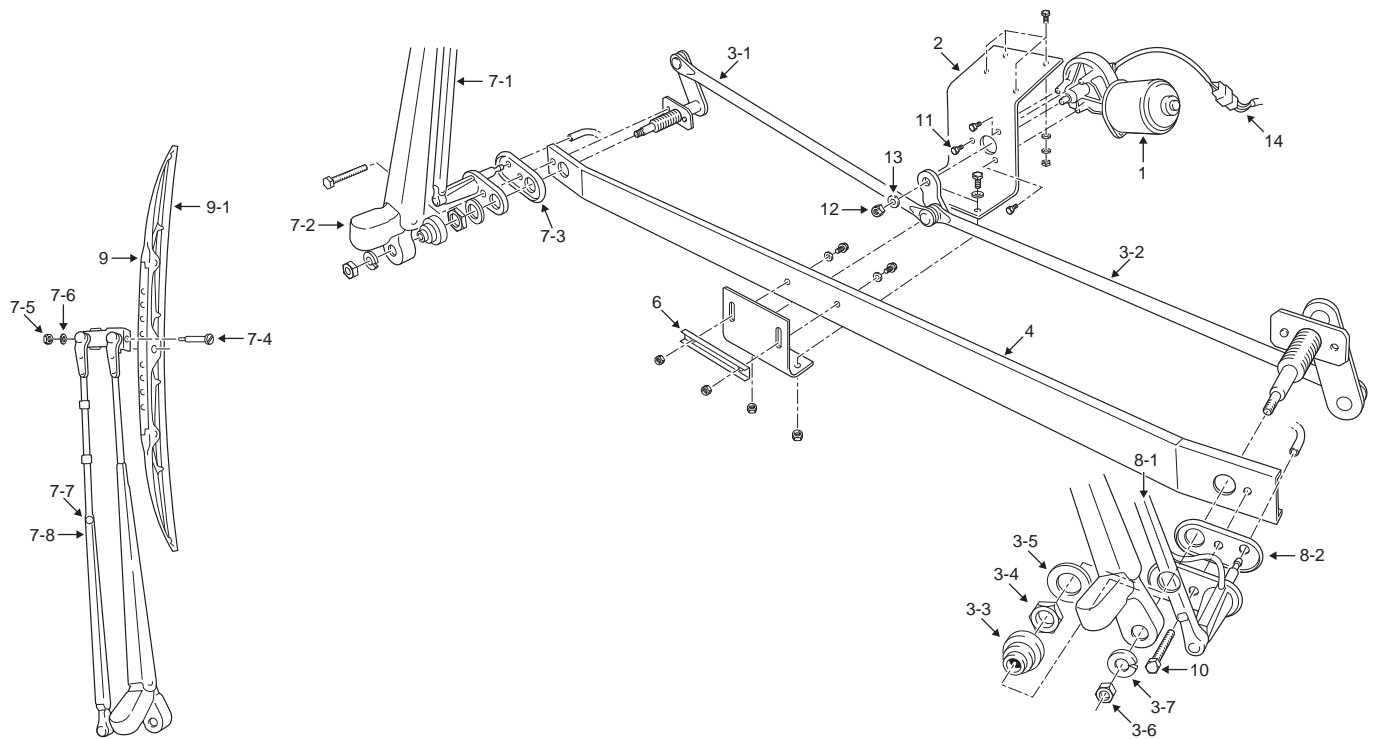
ITEM NO.	PART NO.	DESCRIPTION	QTY/ UNIT
1	159100-3220	Wiper Motor	1
2	159800-4470	Link Assembly (Includes 2-1 thru 2-6)	1
2-1	059901-1140	Rubber Cap	2
2-2	949050-4160	20mm Hex Nut	2
2-5	912601-0061	10mm Hex Nut	2
2-6	902581-0001	Lock Washer	2
3	LA146499-221A	Wiper Motor Bracket (2001 - 2004)	1
	LA146499-2270	Wiper Motor Bracket (2005)	1
4	LAY46499-0030	Wiper Stay A (2001 - 2004)	1
	LAY46499-226A	Wiper Stay A (2005)	1
	LAY46499-0030	Wiper Stay A (2006 and on)	1
5	LA146499-226A	Wiper Stay B (2001 - 2004)	1
	LA146499-1929	Wiper Stay B (2005)	1
	LA146499-226A	Wiper Stay B (2006 and on)	1
6	160050-7810	Arm Assembly (Passenger/Driver, Includes 6-1)	2
6-1	857044-1052	Plastic Cap	2
7	LA847210-0840	Blade Assembly (Includes 7-1)	2
7-1	LA060150-0150	Rubber Blade w/Backing	2
8	949007-2540	Screw w/Washer	4
9	91510-06141	Bolt w/Washer	3
10	90196-08651	Nut	1
11	902580-8001	Lock Washer	1
12	LA146499-1958	Bolt Lock	1
13	LA246440-5780	Wiring Adapter	1
14	LA146305-0450	Bulkhead Fitting	2
	060090-0070	Service Kit, Water Nozzle Parts (See Page 1)	
	060800-0550	Windshield Washer Kit (See Page 1)	
	550597-9010	Wiper Switch (See Page 2)	

Fleetwood Fiesta (2006 - 2009)



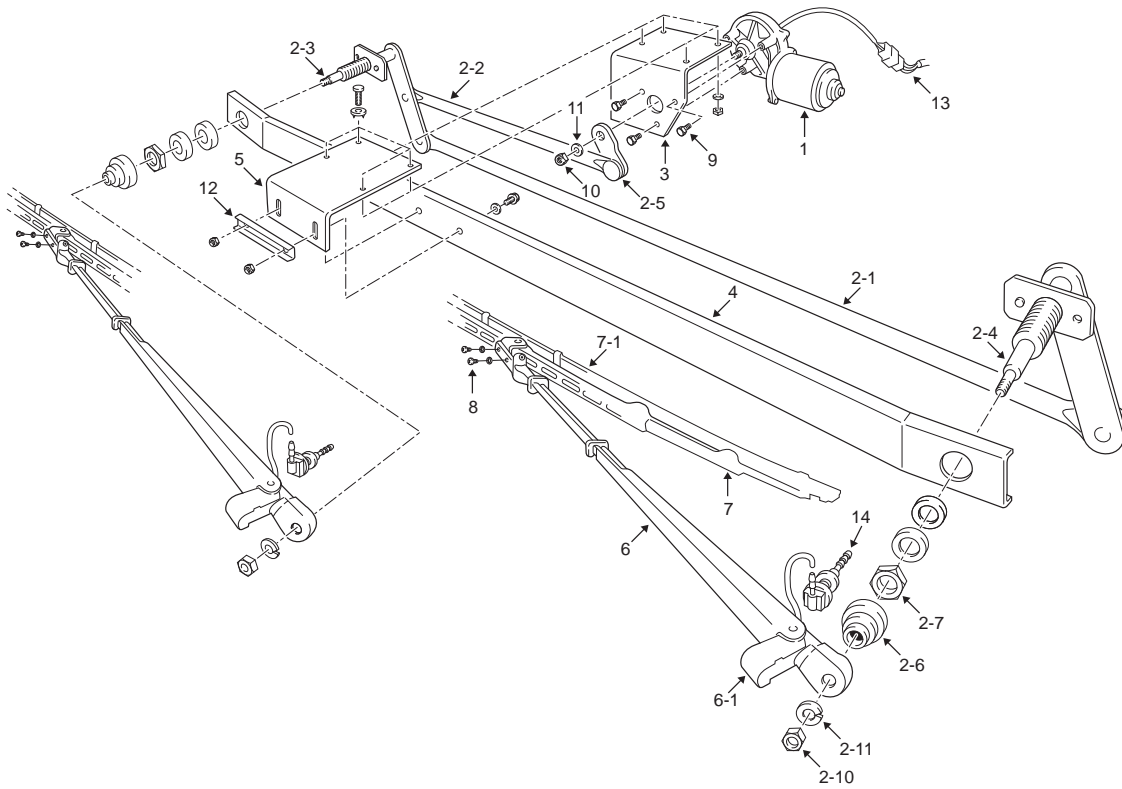
ITEM NO.	PART NO.	DESCRIPTION	QTY/UNIT
1	159100-3220	Wiper Motor	1
2	159800-4470	Link Assembly (Includes 2-1 thru 2-6)	1
2-1	059901-1140	Rubber Cap	2
2-2	949050-4160	20mm Hex Nut	2
2-5	912601-0061	10mm Hex Nut	2
2-6	902581-0001	Lock Washer	2
3	LA146499-221A	Wiper Motor Bracket	1
4	LAY46499-0030	Wiper Stay A	1
5	LA146499-224A	Wiper Stay B	1
6	160050-7810	Arm Assembly (Passenger/Driver, Includes 6-1)	2
6-1	857044-1052	Plastic Cap	2
7	LA847210-0840	Blade Assembly (Includes 7-1)	2
7-1	LA060150-0150	Rubber Blade w/Backing	2
8	949007-2540	Screw w/Washer	4
9	91510-06141	Bolt w/Washer	3
10	90196-08651	Nut	1
11	902580-8001	Lock Washer	1
12	LA146499-1958	Bolt Lock	1
13	LA246440-5780	Wiring Adapter	1
14	LA146305-0450	Bulkhead Fitting	2
	060090-0070	Service Kit, Water Nozzle Parts (See Page 1)	
	060800-0550	Windshield Washer Kit (See Page 1)	

Fleetwood Fiesta (2001 - 2005)



ITEM NO.	PART NO.	DESCRIPTION	QTY/ UNIT	ITEM NO.	PART NO.	DESCRIPTION	QTY/ UNIT
1	159100-3220 159100-7520	Wiper Motor for Ford Chassis only . Wiper Motor for Workhorse	1	13	902580-8001	Lock Washer	1
2	LAY46499-0080	Wiper Motor Bracket	1	14	LA246440-5780	Wiring Adapter for Ford Chassis only	1
3	159800-2451	Link Assembly (Includes 3-1 thru 3-7)	1		LA246450-4170	Wiring Adapter for Workhorse Chassis only	1
3-1	059828-6670	Tie Rod (Passenger)	1		060090-0010	Service Kit, Passenger Arm Hardware (Includes 7-3 thru 7-6)	
3-2	059840-0260	Tie Rod, w/Crank Arm (Driver)	1		060090-0030	Service Kit, Water Nozzle Parts (See Page 1)	
3-3	059901-1140	Rubber Cap	2		060800-0550	Washer Kit (See Page 1)	
3-4	949050-4160	20mm Hex Nut	2				
3-5	949011-7750	20mm Washer	2				
3-6	912601-0061	10mm Hex Nut	2				
3-7	902581-0001	Lock Washer	2				
4	LA146499-0480	Wiper Stay A.	1				
6	LA146499-1958	Bolt Lock	1				
7	160010-9921	Arm Assembly (Passenger, Includes 7-1 thru 7-8)	1				
7-1	060062-0090	Arm Base (Passenger)	1				
7-2	060054-0432	Plastic Cap	2				
7-3	857048-2401	Gasket (Passenger)	1				
7-4	857059-0020	Cap Screw	2				
7-5	857056-0040	3mm Hex Nut	2				
7-6	857174-0020	Lock Washer	2				
7-7	949007-5680	Set Screw w/Washer	4				
7-8	060029-0060	Back Plate	2				
8	160050-5801	Arm Assembly (Driver, Includes 8-1, 8-2, 7-2, 7-4 thru 7-8)	1				
8-1	060062-0100	Arm Base (Driver)	1				
8-2	857048-2410	Gasket (Driver)	1				
9	LA160100-7670	Blade Assembly (Includes 9-1)	2				
9-1	LA060150-0010	Rubber Blade w/Backing	2				
10	LA91120-00108	Hex Bolt (Black)	2				
11	91510-06141	Bolt w/Washer	3				
12	90196-08651	Nut	1				

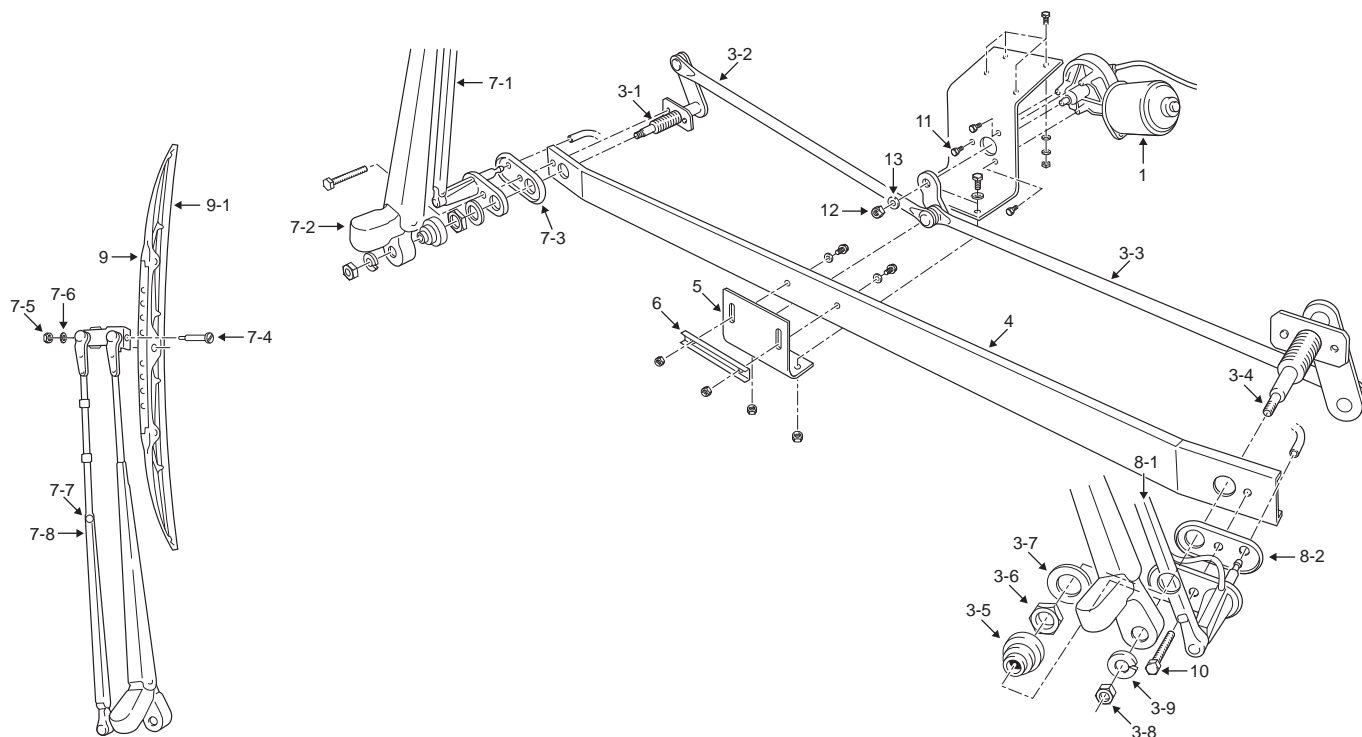
Fleetwood Flair (1992 - 2008)



ITEM NO.	PART NO.	DESCRIPTION	QTY/UNIT
1	159100-3220	Wiper Motor for Ford Chassis only	1
	159100-7520	Wiper Motor for GM/Workhorse Chassis only	1
2	159800-0330	Link Assembly (Includes 2-1 thru 2-11)	1
2-1	059828-7170	Tie Rod	1
2-2	059828-7160	Tie Rod	1
2-3	159960-4300	Pivot (Passenger)	1
2-4	159960-4310	Pivot (Driver)	1
2-5	059434-1280	Crank Arm	1
2-6	059901-1140	Rubber Cap	2
2-7	949050-4160	20mm Hex Nut	2
2-10	912601-0061	10mm Hex Nut	2
2-11	902581-0001	Lock Washer	2
3	LA146499-221A	Wiper Motor Bracket	1
4	LA146499-2221	Wiper Stay A.	1
5	LA146499-224A	Wiper Stay B.	1
6	160050-7810	Arm Assembly (Passenger/Driver, Includes 6-1)	2
6-1	857044-1052	Plastic Cap	2
7	LA847210-0840	Blade Assembly (Includes 7-1)	2
7-1	LA060150-0150	Rubber Blade w/Backing	2
8	949007-2540	Screw w/Washer	4
9	91510-06141	Bolt w/Washer	3
10	90196-08651	Nut	1
11	902580-8001	Lock Washer	1
12	LA146499-1958	Bolt Lock	1
13	LA246440-5780	Wiring Adapter Ford Chassis only	1
	LA246440-2060	Wiring Adapter for GM Chassis only (thru mid 1994)	1
	LA246450-4170	Wiring Adapter for GM/Workhorse Chassis only (mid 1994 and on)	1
14	LA146305-0450	Bulkhead Fitting	2

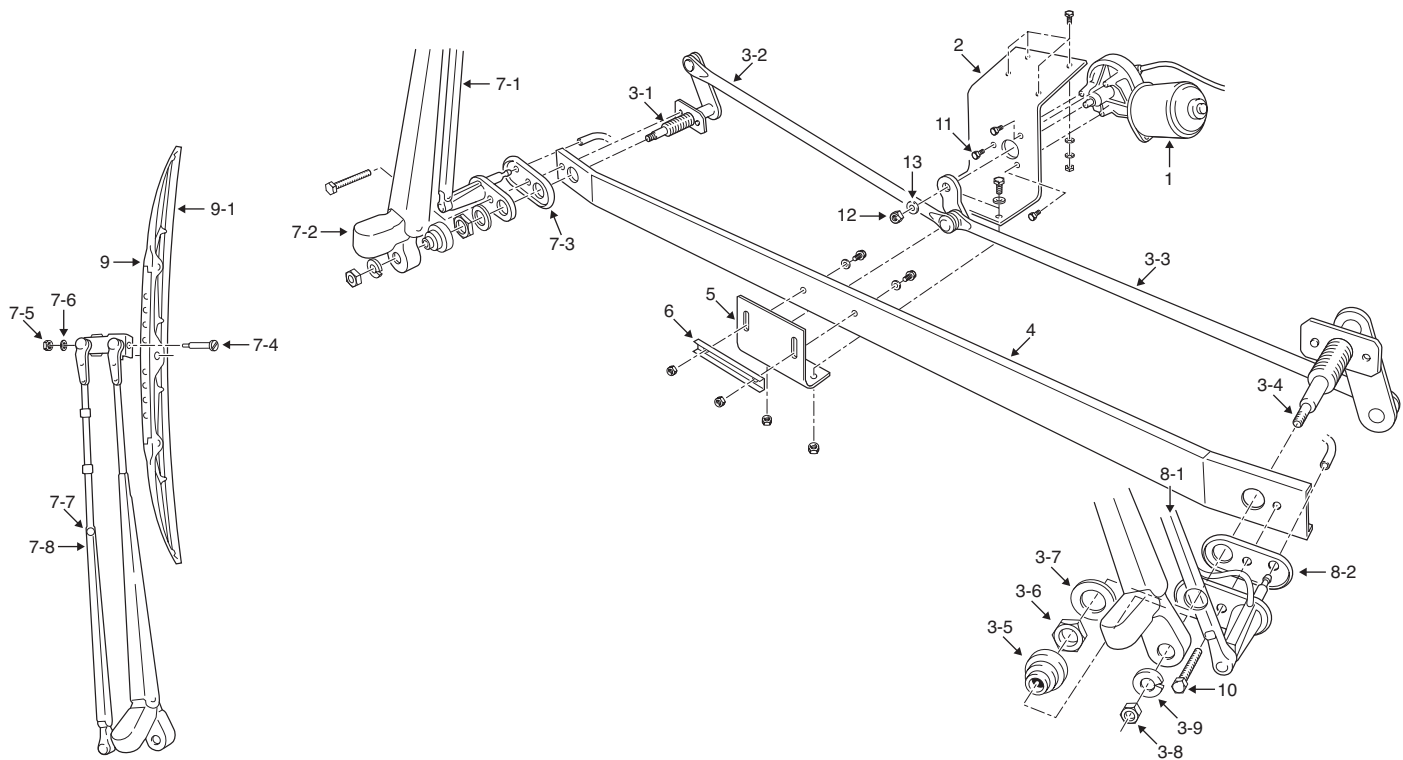
ITEM NO.	PART NO.	DESCRIPTION	QTY/UNIT
	060090-0070	Service Kit, Water Nozzle Parts (See Page 1)	
	060800-0550	Windshield Washer Kit (See Page 1)	
	550597-9010	Variable Intermittent Wiper Switch for Ford Chassis only (See Page 2)	

Fleetwood Limited (1991)



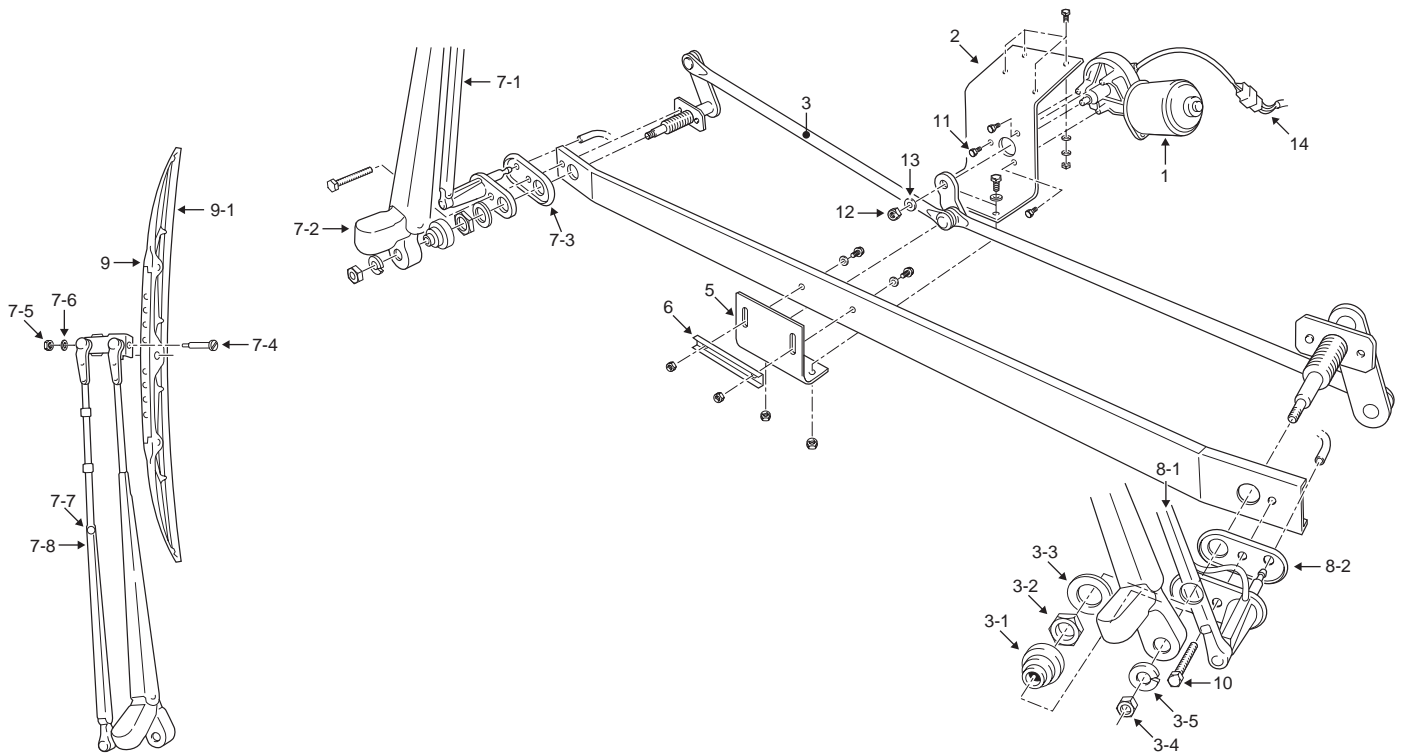
ITEM NO.	PART NO.	DESCRIPTION	QTY/UNIT	ITEM NO.	PART NO.	DESCRIPTION	QTY/UNIT
1	159100-7370	Wiper Motor	1	13	902580-8001	Lock Washer	1
3	059800-9850	Link Assembly (Includes 3-1 thru 3-9)	1	060090-0010		Service Kit, Passenger Arm Hardware (Includes 7-3 thru 7-6)	
3-1	159960-3760	Pivot (Passenger)	1	060090-0030		Service Kit, Water Nozzle Parts (See Page 1)	
3-2	059828-6710	Tie Rod (Passenger)	1	060800-0550		Windshield Washer Kit (See Page 1)	
3-3	059840-0250	Tie Rod w/Crank Arm (Driver)	1	550597-9010		Variable Intermittent Wiper Switch (See Page 2)	
3-4	159960-3770	Pivot (Driver)	1				
3-5	059901-1140	Rubber Cap	2				
3-6	949050-4160	20mm Hex Nut	2				
3-7	949011-7750	20mm Washer	2				
3-8	912601-0061	10mm Hex Nut	2				
3-9	902581-0001	Lock Washer	2				
4	LA146499-0600	Wiper Stay A.	1				
5	LA146499-1930	Wiper Stay B.	1				
6	LA146499-1958	Bolt Lock	1				
7	460010-2590	Arm Assembly (Passenger, Includes 7-1 thru 7-8)	1				
7-1	060062-0090	Arm Base (Passenger)	1				
7-2	060054-0432	Plastic Cap	2				
7-3	857048-2401	Gasket (Passenger)	1				
7-4	857059-0020	Cap Screw	2				
7-5	857056-0040	3mm Hex Nut	2				
7-6	857174-0020	Lock Washer	2				
7-7	949007-5680	Set Screw w/Washer	4				
7-8	060029-0060	Back Plate	2				
8	160050-7410	Arm Assembly (Driver, Includes 8-1, 8-2, 7-2, 7-4 thru 7-8)	1				
8-1	060062-0100	Arm Base (Driver)	1				
8-2	857048-2410	Gasket (Driver)	1				
9	LA160100-7670	Blade Assembly (Includes 9-1)	2				
9-1	LA060150-0010	Rubber Blade w/Backing	2				
10	LA91120-00108	Hex Bolt (Black)	2				
11	91510-06141	Bolt w/Washer	3				
12	90196-08651	Nut	1				

Fleetwood Limited (1988 - 1990)



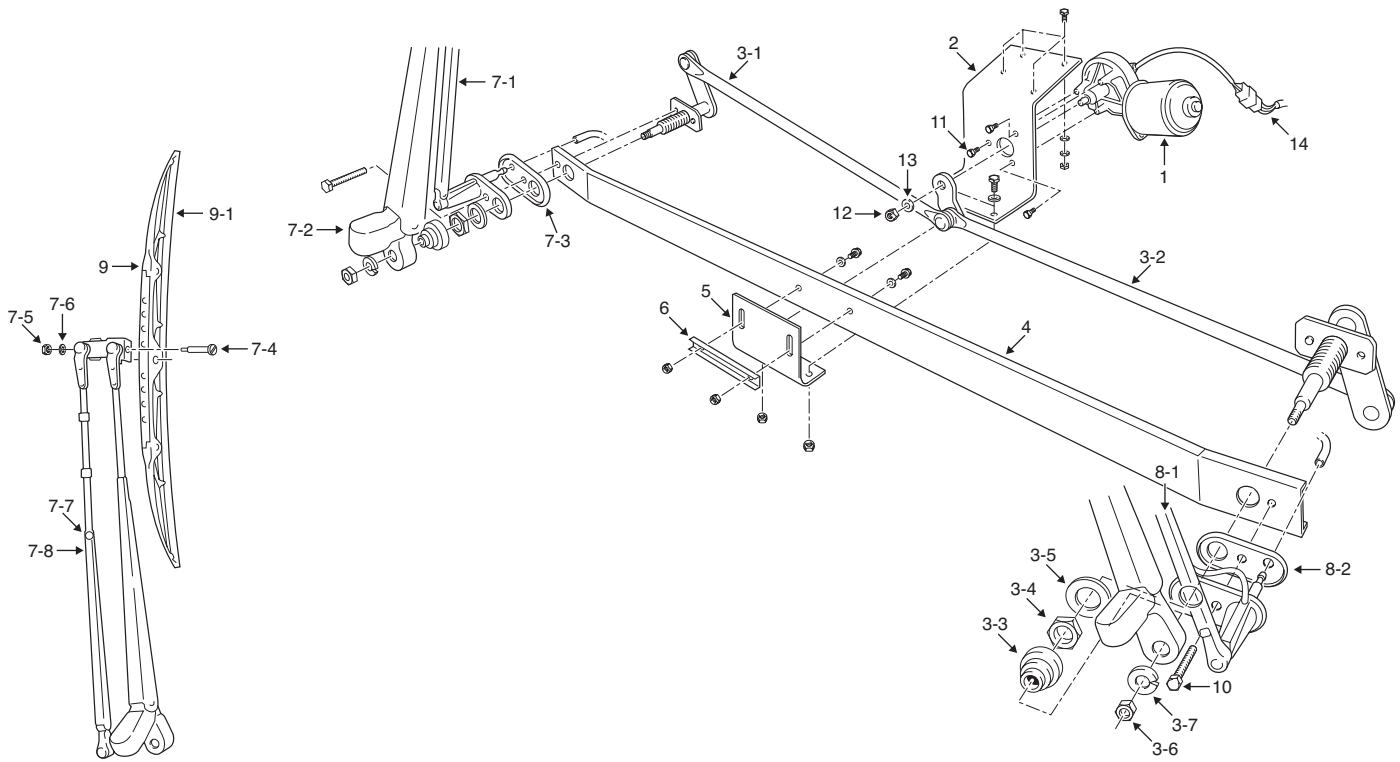
ITEM NO.	PART NO.	DESCRIPTION	QTY/UNIT	ITEM NO.	PART NO.	DESCRIPTION	QTY/UNIT
1	159100-3220	Wiper Motor	1	12	90196-08651	Nut	1
2	000000-1010	Wiper Motor Bracket	1	13	902580-8001	Lock Washer	1
3	059800-9800	Link Assembly (Includes 3-1 thru 3-9)	1		060090-0010	Service Kit, Passenger Arm Hardware (Includes 7-3 thru 7-6)	
3-1	159960-3760	Pivot (Passenger)	1		060090-0030	Service Kit, Water Nozzle Parts (See Page 1)	
3-2	059828-6670	Tie Rod (Passenger)	1		060800-0550	Windshield Washer Kit (See Page 1)	
3-3	059840-0300	Tie Rod w/Crank Arm (Driver)	1		550597-9010	Variable Intermittent Wiper Switch (See Page 2)	
3-4	159960-3770	Pivot (Driver)	1				
3-5	059901-1140	Rubber Cap	2				
3-6	949050-4160	20mm Hex Nut	2				
3-7	949011-7750	20mm Washer	2				
3-8	912601-0061	10mm Hex Nut	2				
3-9	902581-0001	Lock Washer	2				
4	LA146499-0480	Wiper Stay A	1				
5	LA146499-1929	Wiper Stay B	1				
6	LA146499-1958	Bolt Lock	1				
7	160010-9411	Arm Assembly (Passenger, Includes 7-1 thru 7-8)	1				
7-1	060062-0090	Arm Base (Passenger)	1				
7-2	060054-0432	Plastic Cap	2				
7-3	857048-2401	Gasket (Passenger)	1				
7-4	857059-0020	Cap Screw	2				
7-5	857056-0040	3mm Hex Nut	2				
7-6	857174-0020	Lock Washer	2				
7-7	949007-5680	Set Screw w/Washer	4				
7-8	060029-0060	Back Plate	2				
8	160050-5461	Arm Assembly (Driver, Includes 8-1, 8-2, 7-2, 7-4 thru 7-8)	1				
8-1	060062-0100	Arm Base (Driver)	1				
8-2	857048-2410	Gasket (Driver)	1				
9	LA160100-7670	Blade Assembly (Includes 9-1)	2				
9-1	LA060150-0010	Rubber Blade w/Backing	2				
10	LA91120-00108	Hex Bolt (Black)	2				
11	91510-06141	Bolt w/Washer	3				

Fleetwood Pace Arrow (2004 - 2008)



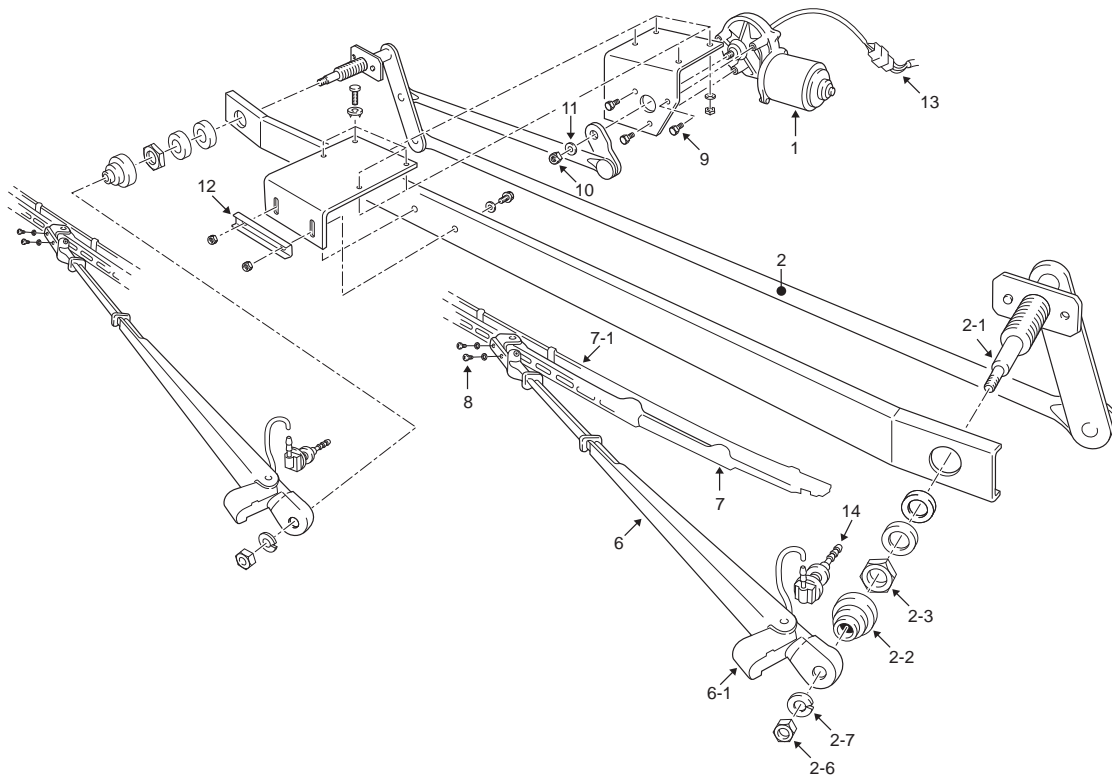
ITEM NO.	PART NO.	DESCRIPTION	QTY/UNIT	ITEM NO.	PART NO.	DESCRIPTION	QTY/UNIT
1	159100-7370	Wiper Motor	1	14	LA246460-399A	Wiring Adapter for Workhorse W22 Chassis only	1
2	LA146499-2270 LAY46499-0210	Wiper Motor Bracket Wiper Motor Bracket for Ford Chassis only (2006 and on)	1	060090-0010		Service Kit, Passenger Arm Hardware (Includes 7-3 thru 7-6)	
3	159800-5520	Link Assembly (Includes 3-1 thru 3-5)	1	060090-0030		Service Kit, Water Nozzle Parts (See Page 1)	
3-1	059901-1140	Rubber Cap	2	060800-0550		Windshield Washer Kit (See Page 1)	
3-2	949050-4160	20mm Hex Nut	2				
3-3	949011-7750	20mm Washer	2				
3-4	912601-0061	10mm Hex Nut	2				
3-5	902581-0001	Lock Washer	2				
4	LA146499-226A	Wiper Stay A	1				
5	LA146499-1929	Wiper Stay B	1				
6	LA146499-1958	Bolt Lock	1				
7	160010-9921	Arm Assembly (Passenger, Includes 7-1 thru 7-8)	1				
7-1	060062-0090	Arm Base	1				
7-2	060054-0432	Plastic Cap	2				
7-3	857048-2401	Gasket	1				
7-4	857059-0020	Cap Screw	2				
7-5	857056-0040	3mm Hex Nut	2				
7-6	857174-0020	Lock Washer	2				
7-7	949007-5680	Set Screw w/Washer	4				
7-8	060029-0060	Back Plate	2				
8	160050-5801	Arm Assembly (Driver, Includes 8-1, 8-2, 7-2, 7-4 thru 7-8)	1				
8-1	060062-0100	Arm Base	1				
8-2	857048-2410	Gasket	1				
9	LA160100-7670	Blade Assembly (Includes 9-1)	2				
9-1	LA060150-0010	Rubber Blade w/Backing	2				
10	LA91120-00108	Hex Bolt (Black)	2				
11	91510-06141	Bolt w/Washer	3				
12	90196-08651	Nut	1				
13	90258-08001	Lock Washer	1				

Fleetwood Pace Arrow (1996 - 2003)



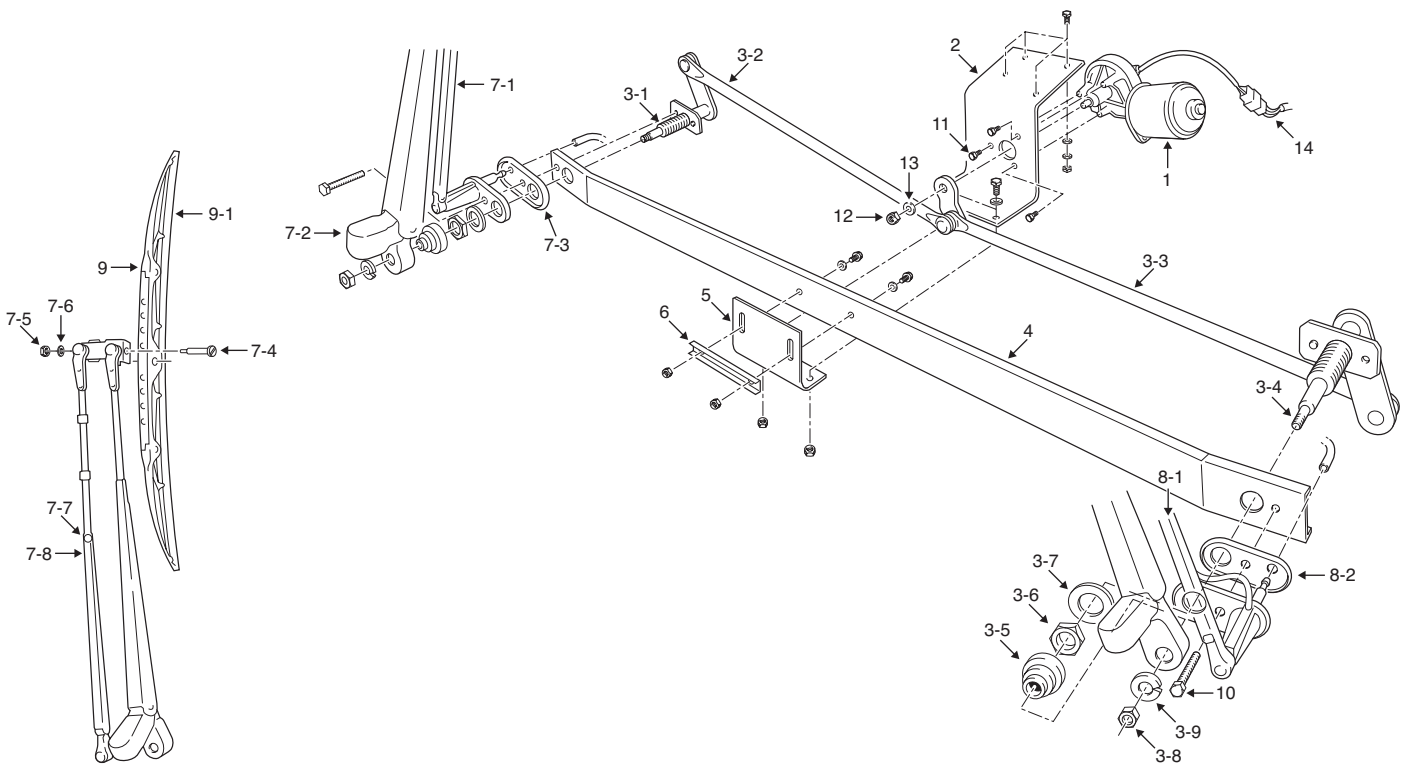
ITEM NO.	PART NO.	DESCRIPTION	QTY/ UNIT	ITEM NO.	PART NO.	DESCRIPTION	QTY/ UNIT
1	159100-3220	Wiper Motor for Ford and Workhorse W22 Chassis only	1	11	91510-06141	Bolt w/Washer	3
	159100-7520	Wiper Motor for GM/Workhorse (except W22) Chassis only	1	12	90196-08651	Nut.	1
2	LA146499-2172	Wiper Motor Bracket	1	13	902580-8001	Lock Washer	1
3	159800-2451	Link Assembly (Includes 3-1 thru 3-7)	1	14	LA246440-5780	Wiring Adapter for Ford Chassis only	1
3-1	059828-6670	Tie Rod (Passenger)	1		LA246450-4170	Wiring Adapter for GM/Workhorse Chassis only	1
3-2	059840-0260	Tie Rod, w/Crank Arm (Driver)	1		LA246460-399A	Wiring Adapter for Workhorse W22 Chassis only	1
3-3	059901-1140	Rubber Cap	2		060090-0010	Service Kit, Passenger Arm Hardware (Includes 7-3 thru 7-6)	
3-4	949050-4160	20mm Hex Nut	2		060090-0030	Service Kit, Water Nozzle Parts (See Page 1)	
3-5	949011-7750	20mm Washer	2		060800-0550	Washer Kit (See Page 1)	
3-6	912601-0061	10mm Hex Nut	2				
3-7	902581-0001	Lock Washer	2				
4	LA146499-0480	Wiper Stay A	1				
5	LA146499-1929	Wiper Stay B	1				
6	LA146499-1958	Bolt Lock	1				
7	160010-9921	Arm Assembly (Passenger, Includes 7-1 thru 7-8)	1				
7-1	060062-0090	Arm Base (Passenger)	1				
7-2	060054-0432	Plastic Cap	2				
7-3	857048-2401	Gasket (Passenger)	1				
7-4	857059-0020	Cap Screw	2				
7-5	857056-0040	3mm Hex Nut	2				
7-6	857174-0020	Lock Washer	2				
7-7	949007-5680	Set Screw w/Washer	4				
7-8	060029-0060	Back Plate	2				
8	160050-5801	Arm Assembly (Driver, Includes 8-1, 8-2, 7-2, 7-4 thru 7-8)	1				
8-1	060062-0100	Arm Base (Driver)	1				
8-2	857048-2410	Gasket (Driver)	1				
9	LA160100-7670	Blade Assembly (Includes 9-1)	2				
9-1	LA060150-0010	Rubber Blade w/Backing	2				
10	LA91120-00108	Hex Bolt (Black)	2				

Fleetwood Pace Arrow (1995)



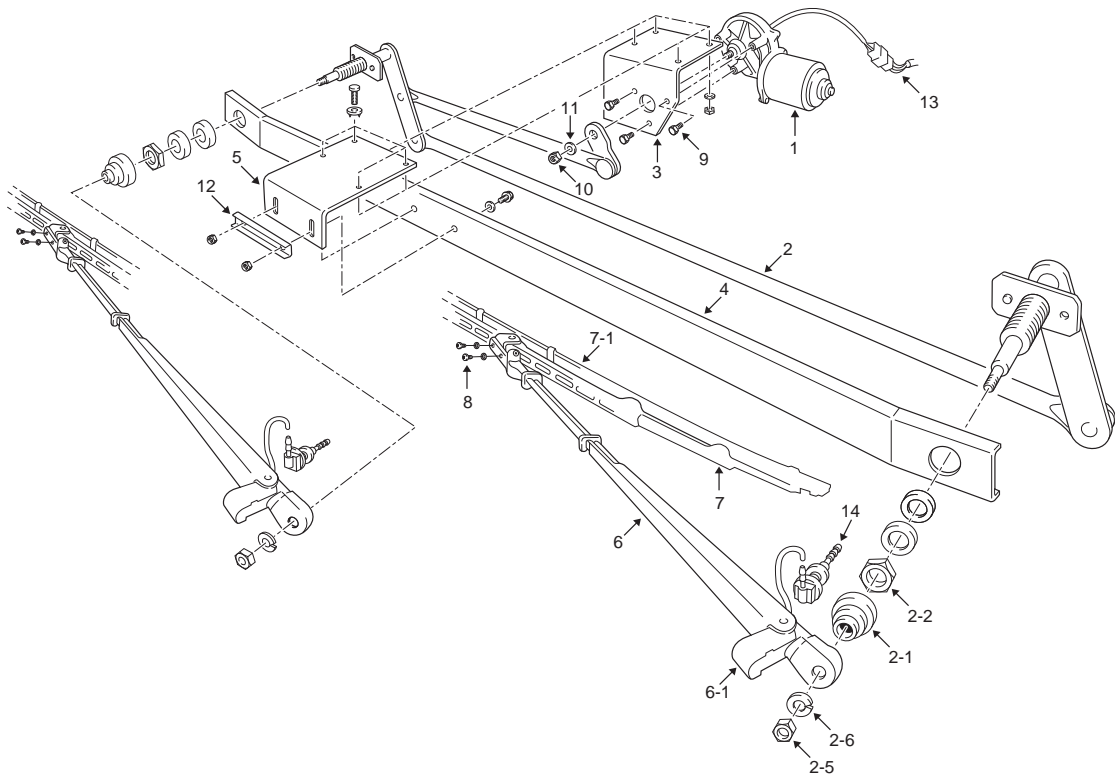
ITEM NO.	PART NO.	DESCRIPTION	QTY/UNIT
1	159100-3220	Wiper Motor for Ford Chassis only .	1
	159100-7520	Wiper Motor for GM Chassis only..	1
2	159800-1870	Link Assembly (Includes 2-1 thru 2-7)	1
2-1	159960-4310	Pivot Assy. (Driver)	1
2-2	059901-1140	Rubber Cap	2
2-3	949050-4160	20mm Hex Nut	2
2-6	912601-0061	10mm Hex Nut	2
2-7	902581-0001	Lock Washer	2
6	160050-7510	Arm Assembly (Passenger/Driver, Includes 6-1)	2
6-1	857044-1052	Plastic Cap	2
7	LA847210-0840	Blade Assembly (Includes 7-1)	2
7-1	LA060150-0150	Rubber Blade w/Backing	2
8	949007-2540	Screw w/Washer	4
9	91510-06141	Bolt w/Washer	3
10	90196-08651	Nut.	1
11	902580-8001	Lock Washer	1
12	LA146499-1958	Bolt Lock	1
13	LA246440-5780	Wiring Adapter for Ford Chassis only	1
	LA246450-4170	Wiring Adapter for GM Chassis only	1
14	LA146305-0450	Bulkhead Fitting	2
	060090-0070	Service Kit, Water Nozzle Parts (See Page 1)	
	060800-0550	Windshield Washer Kit (See Page 1)	

Fleetwood Pace Arrow (1988 - 1994)



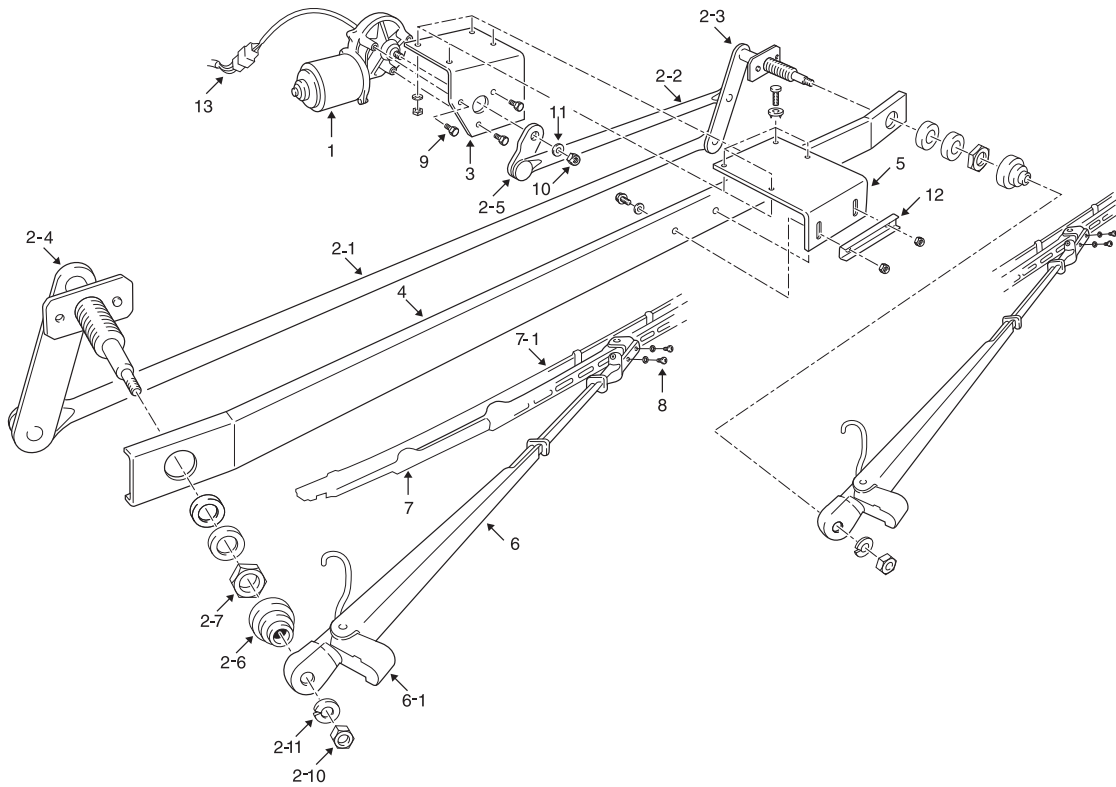
ITEM NO.	PART NO.	DESCRIPTION	QTY/ UNIT	ITEM NO.	PART NO.	DESCRIPTION	QTY/ UNIT
1	159100-3220	Wiper Motor for Ford/Diesel Chassis only	1	9	LA160100-7670	Blade Assembly (Includes 9-1)	2
	159100-7520	Wiper Motor for GM Chassis only (1991 - 1994)	1	9-1	LA060150-0010	Rubber Blade w/Backing	2
2	000000-1010 LA146499-1933	Wiper Motor Bracket (1988 - 1990) 1 Wiper Motor Bracket (1991 - 1994) 1	1	10	LA91120-00108	Hex Bolt (Black)	2
3	059800-9800	Link Assembly (Includes 3-1 thru 3-9)	1	11	91510-06141	Bolt w/Washer	3
3-1	159960-3760	Pivot (Passenger)	1	12	90196-08651	Nut	1
3-2	059828-6670	Tie Rod (Passenger)	1	13	90258-08001	Lock Washer	1
3-3	059840-0300	Tie Rod w/Crank Arm (Driver)	1	14	LA246440-5780	Wiring Adapter for Ford/Diesel Chassis only (1991 - 1994)	1
3-4	159960-3770	Pivot (Driver)	1		LA246440-2060	Wiring Adapter for GM Chassis only (1991 - 1994)	1
3-5	059901-1140	Rubber Cap	2		LA246450-4170	Wiring Adapter for GM Chassis only (mid 1994)	1
3-6	949050-4160	20mm Hex Nut	2		060090-0010	Service Kit, Passenger Arm Hardware (Includes 7-3 thru 7-6)	
3-7	949011-7750	20mm Washer	2		060090-0030	Service Kit, Water Nozzle Parts (See Page 1)	
3-8	912601-0061	10mm Hex Nut	2		060800-0550	Windshield Washer Kit (See Page 1)	
3-9	902581-0001	Lock Washer	2		550597-9010	Variable Intermittent Wiper Switch for Ford/Diesel Chassis only. (See Page 2)	
4	LA146499-0480	Wiper Stay A.	1				
5	LA146499-1929	Wiper Stay B.	1				
6	LA146499-1958	Bolt Lock	1				
7	160010-9411	Arm Assembly (Passenger, Includes 7-1 thru 7-8)	1				
7-1	060062-0090	Arm Base (Passenger)	1				
7-2	060054-0432	Plastic Cap	2				
7-3	857048-2401	Gasket (Passenger)	1				
7-4	857059-0020	Cap Screw	2				
7-5	857056-0040	3mm Hex Nut	2				
7-6	857174-0020	Lock Washer	2				
7-7	949007-5680	Set Screw w/Washer	4				
7-8	060029-0060	Back Plate	2				
8	160050-5461	Arm Assembly (Driver, Includes 8-1, 8-2, 7-2, 7-4 thru 7-8)	1				
8-1	060062-0100	Arm Base (Driver)	1				
8-2	857048-2410	Gasket (Driver)	1				

Fleetwood Providence (2001 - 2008)



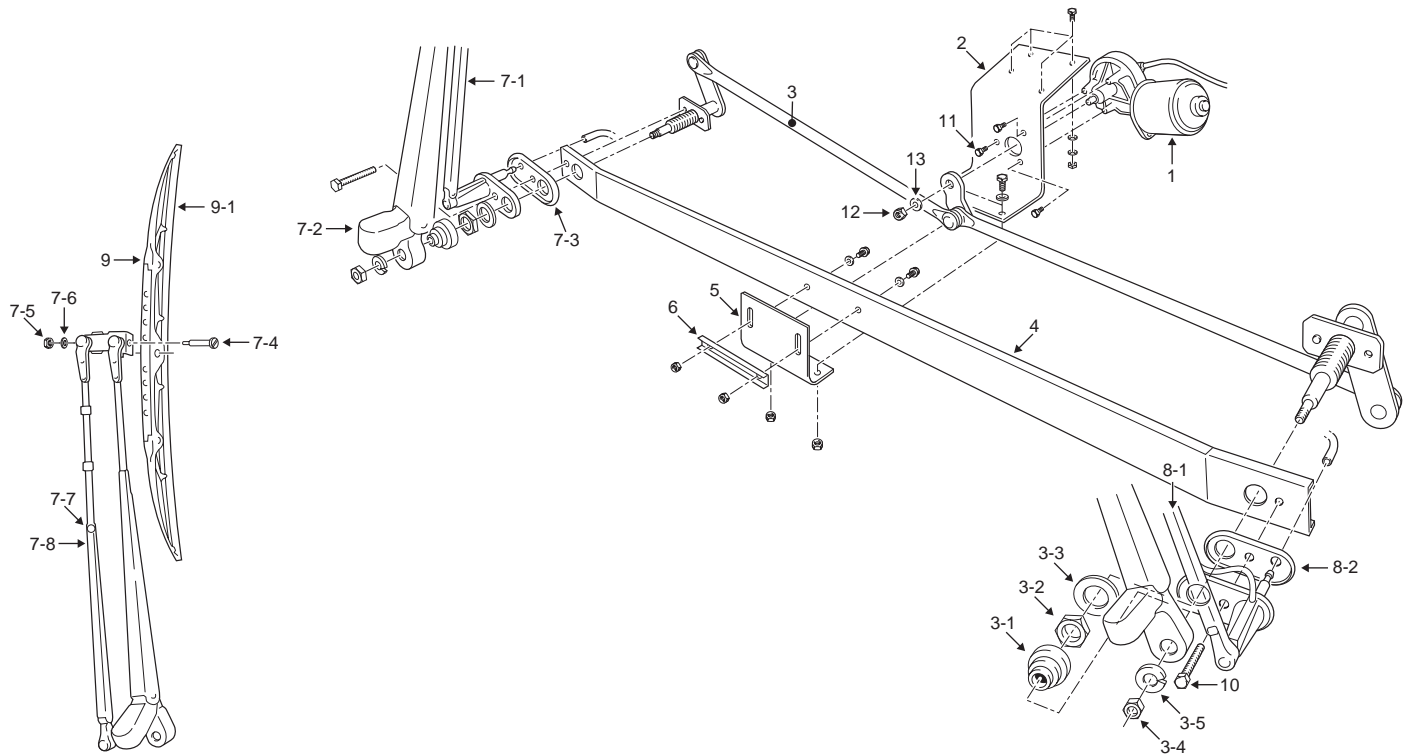
ITEM NO.	PART NO.	DESCRIPTION	QTY/UNIT
1	159100-3220	Wiper Motor	1
2	159800-4470	Link Assembly (Includes 2-1 thru 2-6)	1
2-1	059901-1140	Rubber Cap	2
2-2	949050-4160	20mm Hex Nut	2
2-5	912601-0061	10mm Hex Nut	2
2-6	902581-0001	Lock Washer	2
3	LA146499-221A	Wiper Motor Bracket	1
4	LAY46499-0030	Wiper Stay A	1
5	LA146499-224A	Wiper Stay B	1
6	160050-7810	Arm Assembly (Passenger/Driver, Includes 6-1)	2
6-1	857044-1052	Plastic Cap	2
7	LA847210-0840	Blade Assembly (Includes 7-1)	2
7-1	LA060150-0150	Rubber Blade w/Backing	2
8	949007-2540	Screw w/Washer	4
9	91510-06141	Bolt w/Washer	3
10	90196-08651	Nut	1
11	902580-8001	Lock Washer	1
12	LA146499-1958	Bolt Lock	1
13	LA246440-5780	Wiring Adapter	1
14	LA146305-0450	Bulkhead Fitting	2
	060090-0070	Service Kit, Water Nozzle Parts (See Page 1)	
	060800-0550	Windshield Washer Kit (See Page 1)	

Fleetwood Revolution (2005 - 2009)



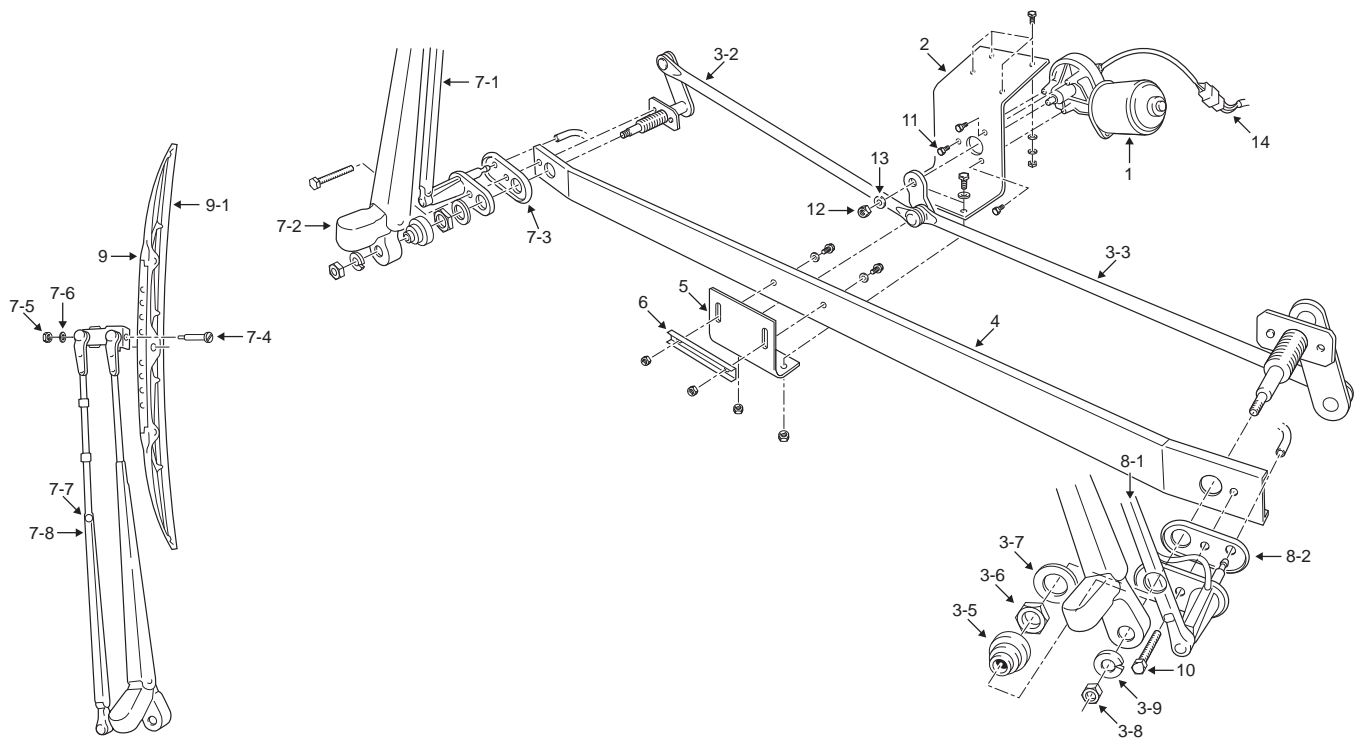
ITEM NO.	PART NO.	DESCRIPTION	QTY/ UNIT
1	159100-3220	Wiper Motor	1
2-1	159827-4160	Tie Rod	1
2-2	159827-4150	Tie Rod	1
2-3	159950-1000	Pivot (Driver Side)	1
2-4	159960-9310	Pivot (Passenger Side)	1
2-5	859434-3990	Crank Arm	1
2-6	059901-1140	Rubber Cap	2
2-7	949050-4160	20mm Hex Nut	2
2-10	912601-0061	10mm Hex Nut	2
2-11	902581-0001	Lock Washer	2
3	LAY46499-0160	Wiper Motor Bracket	1
4	LAY46499-0180	Wiper Stay A	1
5	LAY46499-0170	Wiper Stay B	1
6	460050-3340	Arm Assembly (Passenger/Driver, Includes 6-1)	2
6-1	857044-1052	Plastic Cap	2
7	LA847210-0840	Blade Assembly (Includes 7-1)	2
7-1	LA060150-0150	Rubber Blade w/Backing	2
8	949007-2540	Screw w/Washer	4
9	91510-06141	Bolt w/Washer	3
10	90196-08651	Nut	1
11	902580-8001	Lock Washer	1
12	LA146499-1958	Bolt Lock	1
13	LA246440-5780	Wiring Adapter	1
	060090-0070	Service Kit, Water Nozzle Parts (See Page 1)	

Fleetwood Revolution (2001 - 2004)



ITEM NO.	PART NO.	DESCRIPTION	QTY/UNIT	ITEM NO.	PART NO.	DESCRIPTION	QTY/UNIT
1	159100-7370	Wiper Motor	1	060090-0010	Service Kit, Passenger Arm Hardware (Includes 7-3 thru 7-6)		
2	LA146499-2270	Wiper Motor Bracket	1	060090-0030	Service Kit, Water Nozzle Parts (See Page 1)		
3	159800-5520	Link Assembly (Includes 3-1 thru 3-5)	1	060800-0550	Windshield Washer Kit (See Page 1)		
3-1	059901-1140	Rubber Cap	2				
3-2	949050-4160	20mm Hex Nut	2				
3-3	949011-7750	20mm Washer	2				
3-4	912601-0061	10mm Hex Nut	2				
3-5	902581-0001	Lock Washer	2				
4	LA146499-226A	Wiper Stay A	1				
5	LA146499-1929	Wiper Stay B	1				
6	LA146499-1958	Bolt Lock	1				
7	160010-9921	* Arm Assembly (Passenger, Includes 7-1 thru 7-8)	1				
7-1	060062-0090	Arm Base	1				
7-2	060054-0432	Plastic Cap	2				
7-3	857048-2401	Gasket	1				
7-4	857059-0020	Cap Screw	2				
7-5	857056-0040	3mm Hex Nut	2				
7-6	857174-0020	Lock Washer	2				
7-7	949007-5680	Set Screw w/Washer	4				
7-8	060029-0060	Back Plate	2				
8	160050-5801	* Arm Assembly (Driver, Includes 8-1, 8-2, 7-2, 7-4 thru 7-8)	1				
8-1	060062-0100	Arm Base	1				
8-2	857048-2410	Gasket	1				
9	LA160100-7670	Blade Assembly (Includes 9-1)	2				
9-1	LA060150-0010	Rubber Blade w/Backing	2				
10	LA91120-00108	Hex Bolt (Black)	2				
11	91510-06141	Bolt w/Washer	3				
12	90196-08651	Nut	1				
13	90258-08001	Lock Washer	1				

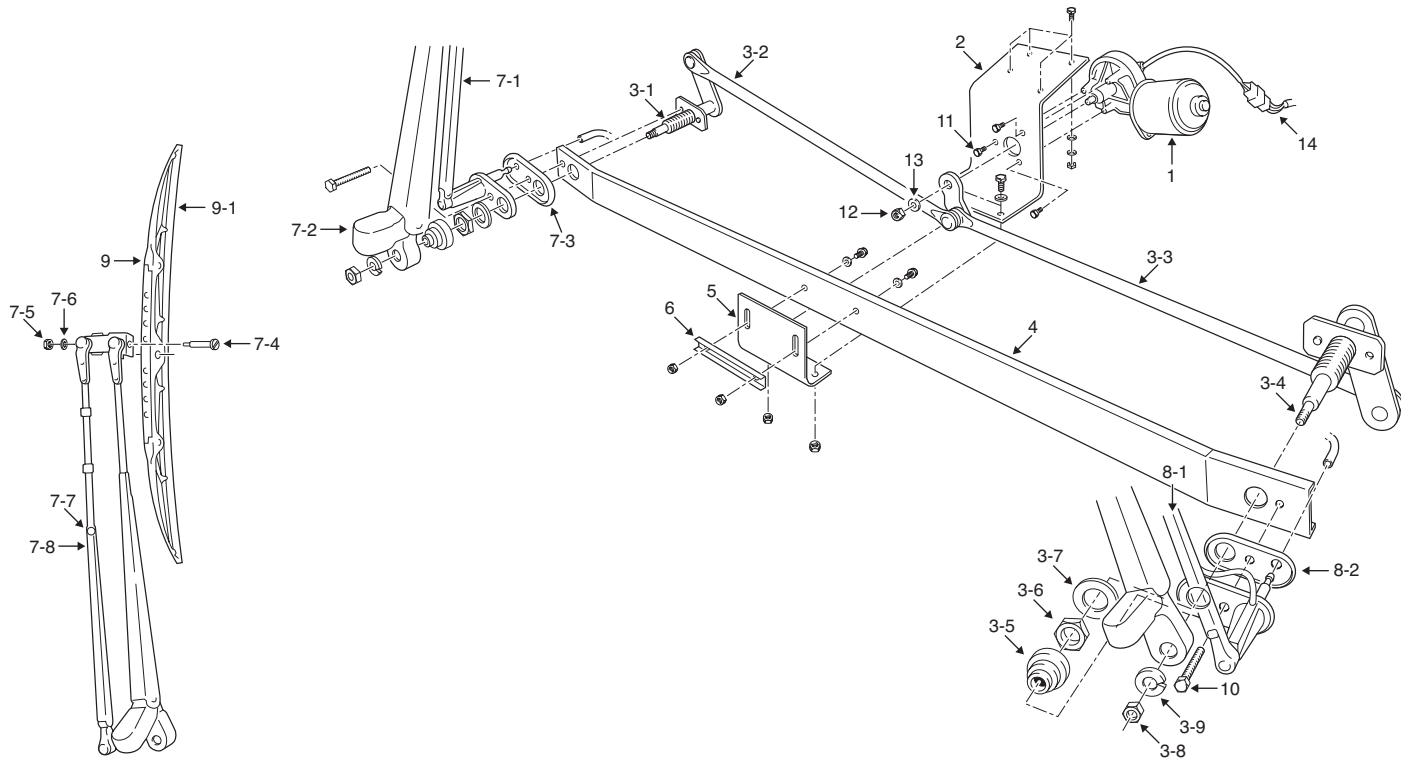
Fleetwood Southwind (1997 - 2008)



ITEM NO.	PART NO.	DESCRIPTION	QTY/UNIT
1	159100-3220	Wiper Motor for Ford and Workhorse W22 Chassis only	1
	159100-7520	Wiper Motor for GM/Workhorse (except W22) Chassis only	1
2	LA146499-2231	Wiper Motor Bracket (1997 - 2003)	1
	LA146499-2270	Wiper Motor Bracket (2004 and on)	1
3	159800-2451	Link Assembly (Includes 3-1 thru 3-9)	1
3-2	059828-6670	Tie Rod (Passenger)	1
3-3	059840-0260	Tie Rod, w/Crank Arm (Driver)	1
3-5	059901-1140	Rubber Cap	2
3-6	949050-4160	20mm Hex Nut	2
3-7	949011-7750	20mm Washer	2
3-8	912601-0061	10mm Hex Nut	2
3-9	902581-0001	Lock Washer	2
4	LA146499-0480	Wiper Stay A (1997 - 2003)	1
	LA146499-226A	Wiper Stay A (2004 and on)	1
5	LA146499-1929	Wiper Stay B	1
6	LA146499-1958	Bolt Lock	1
7	160010-9921	Arm Assembly (Passenger, Includes 7-1 thru 7-8)	1
7-1	060062-0090	Arm Base (Passenger)	1
7-2	060054-0432	Plastic Cap	2
7-3	857048-2401	Gasket (Passenger)	1
7-4	857059-0020	Cap Screw	2
7-5	857056-0040	3mm Hex Nut	2
7-6	857174-0020	Lock Washer	2
7-7	949007-5680	Set Screw w/Washer	4
7-8	060029-0060	Back Plate	2
8	160050-5801	Arm Assembly (Driver, Includes 8-1, 8-2, 7-2, 7-4 thru 7-8)	1
8-1	060062-0100	Arm Base (Driver)	1
8-2	857048-2410	Gasket (Driver)	1
9	LA160100-7670	Blade Assembly (Includes 9-1)	2

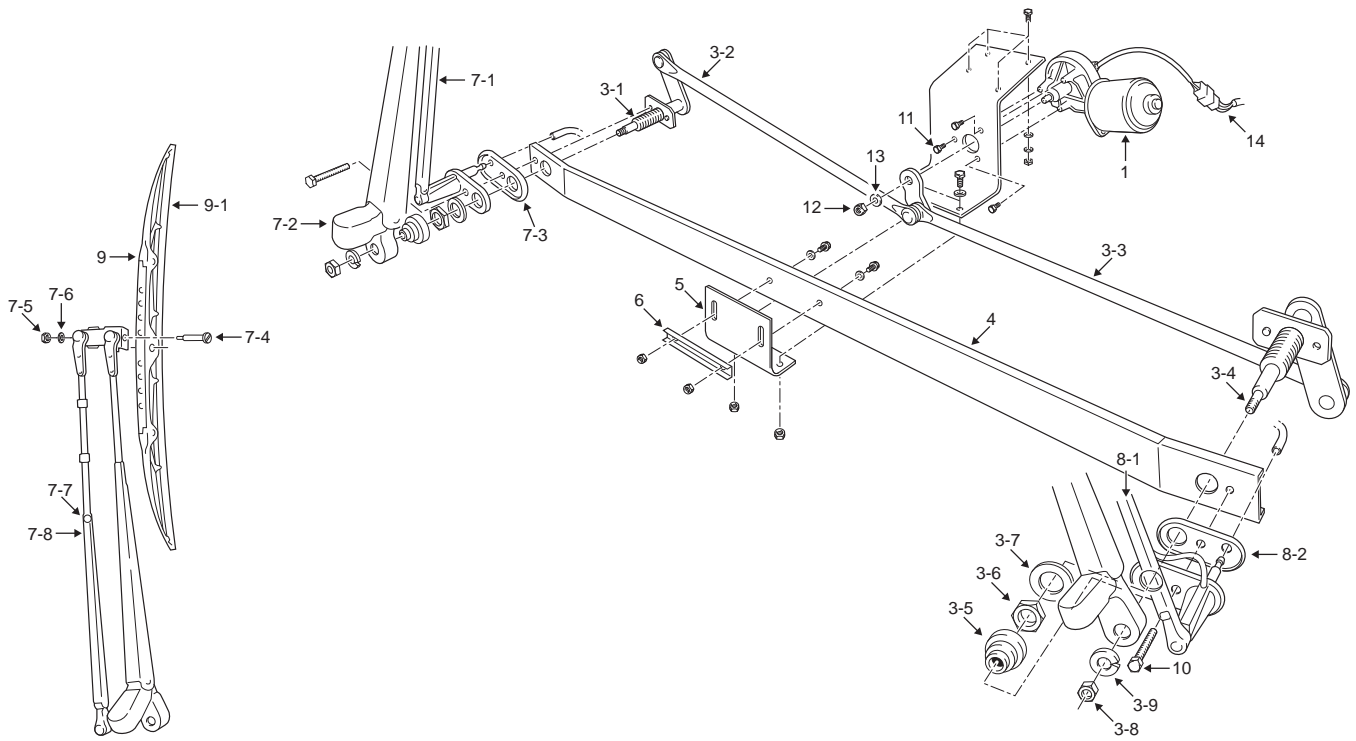
ITEM NO.	PART NO.	DESCRIPTION	QTY/UNIT
9-1	LA060150-0010	Rubber Blade w/Backing	2
10	LA91120-00108	Hex Bolt (Black)	2
11	91510-06141	Bolt w/Washer	3
12	90196-08651	Nut	1
13	902580-8001	Lock Washer	1
14	LA246440-5780	Wiring Adapter for Ford Chassis only	1
	LA246450-4170	Wiring Adapter for GM/Workhorse Chassis only	1
	LA246460-399A	Wiring Adapter for Workhorse W22 Chassis only	1
	060090-0010	Service Kit, Passenger Arm Hardware (Includes 7-3 thru 7-6)	
	060090-0030	Service Kit, Water Nozzle Parts (See Page 1)	

Fleetwood Southwind (1994 - 1996)



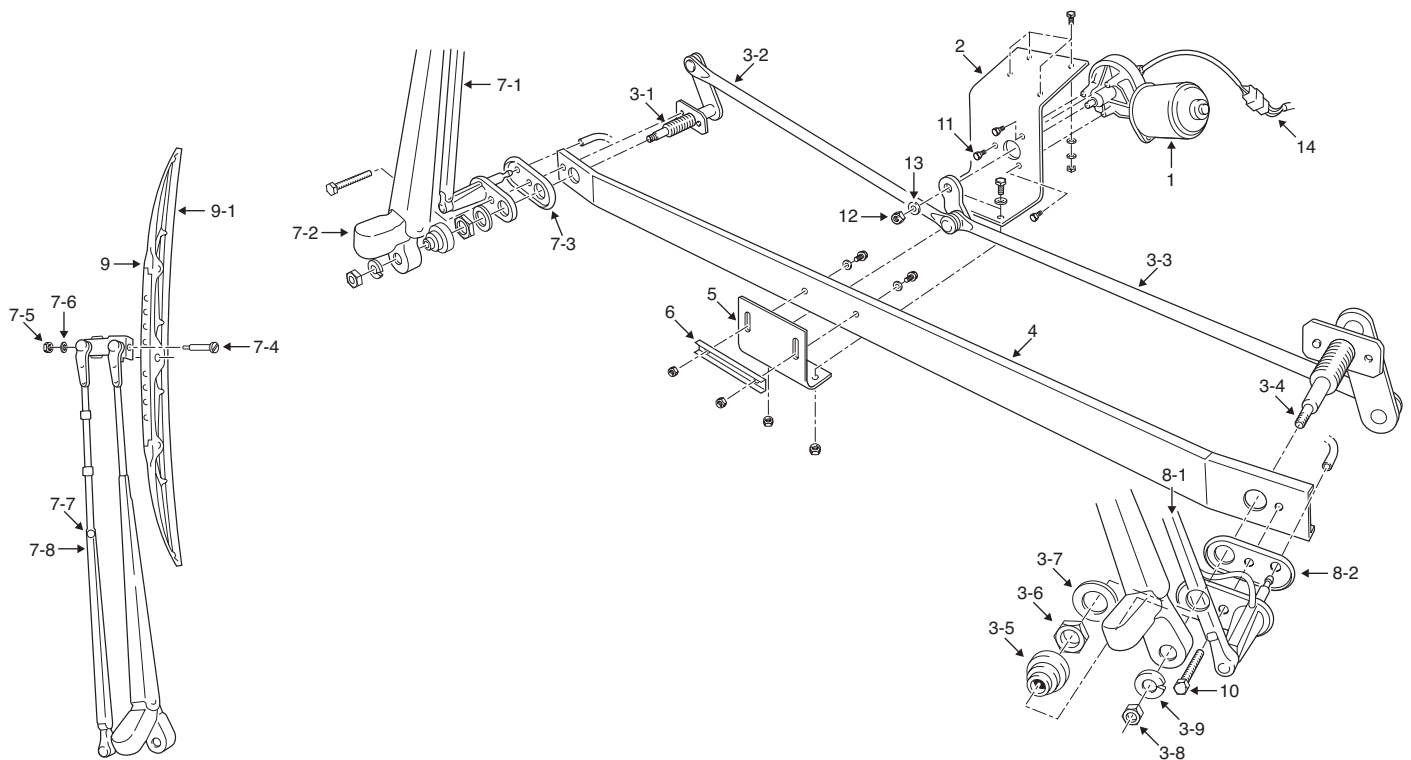
ITEM NO.	PART NO.	DESCRIPTION	QTY/UNIT	ITEM NO.	PART NO.	DESCRIPTION	QTY/UNIT
1	159100-3220	Wiper Motor for Ford Chassis only	1	8	160050-5461	Arm Assembly (Driver, Includes 8-1, 8-2, 7-2, 7-4 thru 7-8)	1
	159100-7520	Wiper Motor for GM Chassis only (1994 - 1996)	1	8-1	060062-0100	Arm Base (Driver)	1
2	LA146499-2070	Wiper Motor Bracket	1	8-2	857048-2410	Gasket (Driver)	1
3	059800-9800	Link Assembly (Includes 3-1 thru 3-9)	1	9	LA160100-8780	Blade Assembly (Includes 9-1)	2
3-1	159960-3760	Pivot (Passenger)	1	9-1	LA060112-3650	Rubber Blade	2
3-2	059828-6670	Tie Rod (Passenger)	1	10	LA91120-00108	Hex Bolt (Black)	2
3-3	059840-0300	Tie Rod w/Crank Arm (Driver)	1	11	91510-06141	Bolt w/Washer	3
3-4	159960-3770	Pivot (Driver)	1	12	90196-08651	Nut	1
3-5	059901-1140	Rubber Cap	2	13	902580-8001	Lock Washer	1
3-6	949050-4160	20mm Hex Nut	2	14	LA246440-5780	Wiring Adapter for Ford Chassis only	1
3-7	949011-7750	20mm Washer	2		LA246440-2060	Wiring Adapter for GM Chassis only (thru mid 1994)	1
3-8	912601-0061	10mm Hex Nut	2		LA246450-4170	Wiring Adapter for GM Chassis only (mid 1994 and on)	1
3-9	902581-0001	Lock Washer	2		060090-0010	Service Kit, Passenger Arm Hardware (Includes 7-3 thru 7-6)	
4	LA146499-0480	Wiper Stay A (1994 - 1995 Standard Body)	1		060090-0030	Service Kit, Water Nozzle Parts (See Page 1)	
	LA146499-2060	Wiper Stay A (1995 - 1996 Wide Body)	1		550597-9020	Variable Intermittent Wiper Switch for Ford/Diesel Chassis only (See Page 2)	
5	LA146499-1929	Wiper Stay B	1				
6	LA146499-1958	Bolt Lock	1				
7	160010-9411	Arm Assembly (Passenger, Includes 7-1 thru 7-8)	1				
7-1	060062-0090	Arm Base (Passenger)	1				
7-2	060054-0432	Plastic Cap	2				
7-3	857048-2401	Gasket (Passenger)	1				
7-4	857059-0020	Cap Screw	2				
7-5	857056-0040	3mm Hex Nut	2				
7-6	857174-0020	Lock Washer	2				
7-7	949007-5680	Set Screw w/Washer	4				
7-8	060029-0060	Back Plate	2				

Fleetwood Southwind (1992 - 1993)



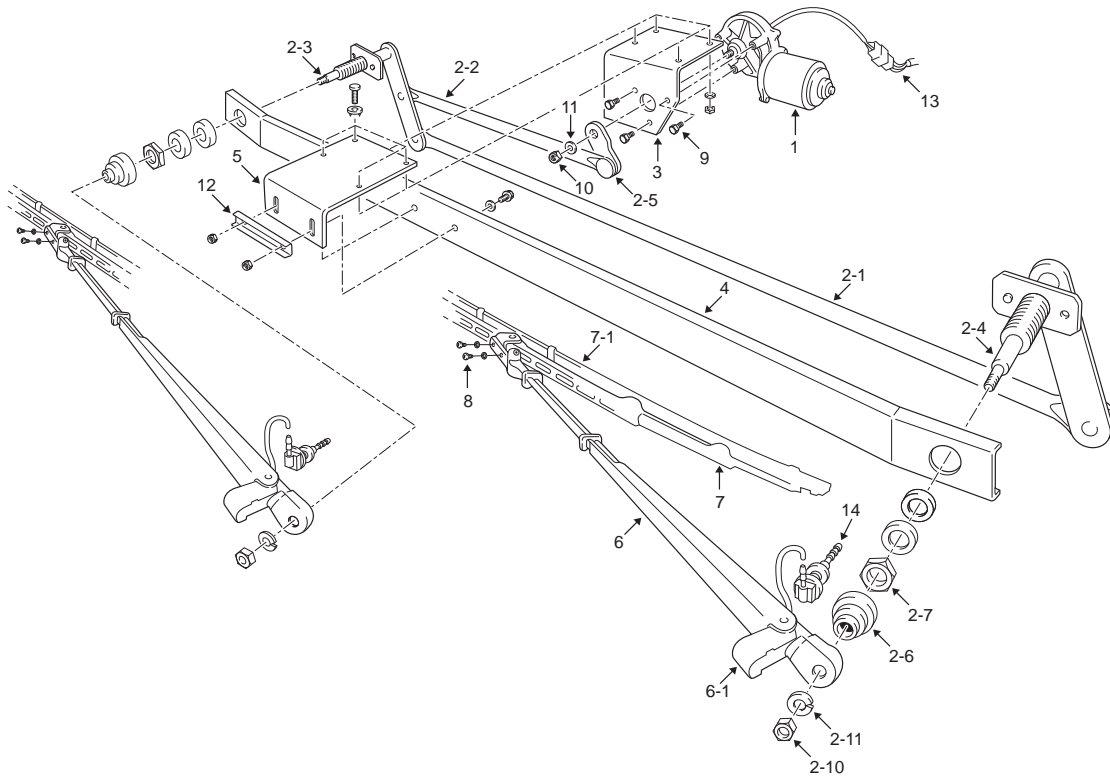
ITEM NO.	PART NO.	DESCRIPTION	QTY/UNIT	ITEM NO.	PART NO.	DESCRIPTION	QTY/UNIT
1	159100-3220	Wiper Motor for Ford/Diesel Chassis only	1	11	91510-06141	Bolt w/Washer	3
1	159100-7520	Wiper Motor for GM Chassis only	1	12	90196-08651	Nut	1
3	059800-9800	Link Assembly (Includes 3-1 thru 3-9)	1	13	902580-8001	Lock Washer	1
3-1	159960-3760	Pivot (Passenger)	1	14	LA246440-5780	Wiring Adapter for Ford/Diesel Chassis only	1
3-2	059828-6670	Tie Rod (Passenger)	1		LA246440-2060	Wiring Adapter for GM Chassis only	1
3-3	059840-0300	Tie Rod w/Crank Arm (Driver)	1		060090-0010	Service Kit, Passenger Arm Hardware (Includes 7-3 thru 7-6)	
3-4	159960-3770	Pivot (Driver)	1		060090-0030	Service Kit, Water Nozzle Parts (See Page 1)	
3-5	059901-1140	Rubber Cap	2		160200-5160	Windshield Washer Kit (See Page 1)	
3-6	949050-4160	20mm Hex Nut	2		550597-9020	Variable Intermittent Wiper Switch for Ford/Diesel Chassis only (See Page 2)	
3-7	949011-7750	20mm Washer	2				
3-8	912601-0061	10mm Hex Nut	2				
3-9	902581-0001	Lock Washer	2				
4	LA146499-0480	Wiper Stay A	1				
5	LA146499-1929	Wiper Stay B	1				
6	LA146499-1958	Bolt Lock	1				
7	160010-9411	Arm Assembly (Passenger, Includes 7-1 thru 7-8)	1				
7-1	060062-0090	Arm Base (Passenger)	1				
7-2	060054-0432	Plastic Cap	2				
7-3	857048-2401	Gasket (Passenger)	1				
7-4	857059-0020	Cap Screw	2				
7-5	857056-0040	3mm Hex Nut	2				
7-6	857174-0020	Lock Washer	2				
7-7	949007-5680	Set Screw w/Washer	4				
7-8	060029-0060	Back Plate	2				
8	160050-5461	Arm Assembly (Driver, Includes 8-1, 8-2, 7-2, 7-4 thru 7-8)	1				
8-1	060062-0100	Arm Base (Driver)	1				
8-2	857048-2410	Gasket (Driver)	1				
9	LA160100-8780	Blade Assembly (Includes 9-1)	2				
9-1	LA060112-3650	Rubber Blade	2				
10	LA91120-00108	Hex Bolt (Black)	2				

Fleetwood Southwind (1988 - 1991)



ITEM NO.	PART NO.	DESCRIPTION	QTY/UNIT	ITEM NO.	PART NO.	DESCRIPTION	QTY/UNIT
1	159100-3220 159100-7520	Wiper Motor for Ford Chassis only . Wiper Motor for GM Chassis only (1991)	1	9-1	LA060150-0010	Rubber Blade	2
2	000000-1010	Wiper Motor Bracket	1	10	LA91120-00108	Hex Bolt (Black)	2
3	059800-9800	Link Assembly (Includes 3-1 thru 3-9)	1	11	91510-06141	Bolt w/Washer	3
3-1	159960-3760	Pivot (Passenger)	1	12	90196-08651	Nut.	1
3-2	059828-6670	Tie Rod (Passenger)	1	13	902580-8001	Lock Washer	1
3-3	059840-0300	Tie Rod w/Crank Arm (Driver)	1	14	LA246440-5780	Wiring Adapter for Ford Chassis only	1
3-4	159960-3770	Pivot (Driver)	1		LA246440-2060	Wiring Adapter for GM Chassis only (1991)	1
3-5	059901-1140	Rubber Cap	2	060090-0010		Service Kit, Passenger Arm Hardware (Includes 7-3 thru 7-6)	
3-6	949050-4160	20mm Hex Nut	2	060090-0030		Service Kit, Water Nozzle Parts (See Page 1)	
3-7	949011-7750	20mm Washer	2	160200-5160		Windshield Washer Kit (See Page 1)	
3-8	912601-0061	10mm Hex Nut	2	550597-9020		Variable Intermittent Wiper Switch for Ford/Diesel Chassis only (See Page 2)	
3-9	902581-0001	Lock Washer	2				
4	LA146499-0480	Wiper Stay A (1988 - 1993 Standard Body)	1				
5	LA146499-1929	Wiper Stay B	1				
6	LA146499-1958	Bolt Lock	1				
7	160010-9411	Arm Assembly (Passenger, Includes 7-1 thru 7-8)	1				
7-1	060062-0090	Arm Base (Passenger)	1				
7-2	060054-0432	Plastic Cap	2				
7-3	857048-2401	Gasket (Passenger)	1				
7-4	857059-0020	Cap Screw	2				
7-5	857056-0040	3mm Hex Nut	2				
7-6	857174-0020	Lock Washer	2				
7-7	949007-5680	Set Screw w/Washer	4				
7-8	060029-0060	Back Plate	2				
8	160050-5461	Arm Assembly (Driver, Includes 8-1, 8-2, 7-2, 7-4 thru 7-8)	1				
8-1	060062-0100	Arm Base (Driver)	1				
8-2	857048-2410	Gasket (Driver)	1				
9	LA160100-7670	Blade Assembly (Includes 9-1)	2				

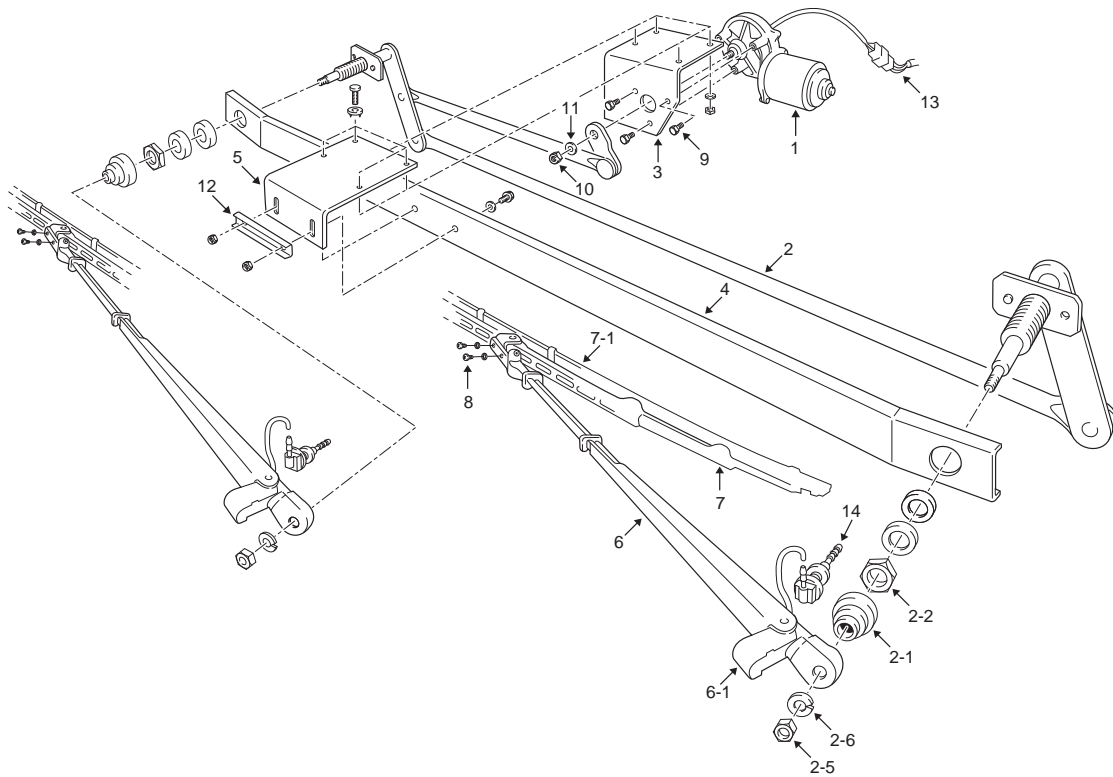
Fleetwood Storm (1995 - 2008)



ITEM NO.	PART NO.	DESCRIPTION	QTY/UNIT
1	159100-3220 159100-7520	Wiper Motor for Ford Chassis Only. Wiper Motor for GM/Workhorse Chassis only	1 1
2	159800-0330	Link Assembly (Includes 2-1 thru 2-11)	1
2-1	059828-7170	Tie Rod	1
2-2	059828-7160	Tie Rod	1
2-3	159960-4300	Pivot Assy. (Passenger)	1
2-4	159960-4310	Pivot Assy. (Driver)	1
2-5	059434-1280	Crank Arm Assy.	1
2-6	059901-1140	Rubber Cap	2
2-7	949050-4160	20mm Hex Nut	2
2-10	912601-0061	10mm Hex Nut	2
2-11	902581-0001	Lock Washer	2
3	LA146499-221A	Wiper Motor Bracket	1
4	LA146499-2221	Wiper Stay A.	1
5	LA146499-224A	Wiper Stay B.	1
6	160050-7810	Arm Assembly (Passenger/Driver, Includes 6-1)	2
6-1	857044-1052	Plastic Cap	2
7	LA847210-0840	Blade Assembly (Includes 7-1)	2
7-1	LA060150-0150	Rubber Blade w/Backing	2
8	949007-2540	Screw w/Washer	4
9	91510-06141	Bolt w/Washer	3
10	90196-08651	Nut	1
11	902580-8001	Lock Washer	1
12	LA146499-1958	Bolt Lock	1
13	LA246440-5780	Wiring Adapter for Ford Chassis only	1
	LA246450-4170	Wiring Adapter for GM/Workhorse chassis only	1
14	LA146305-0450	Bulkhead Fitting	2

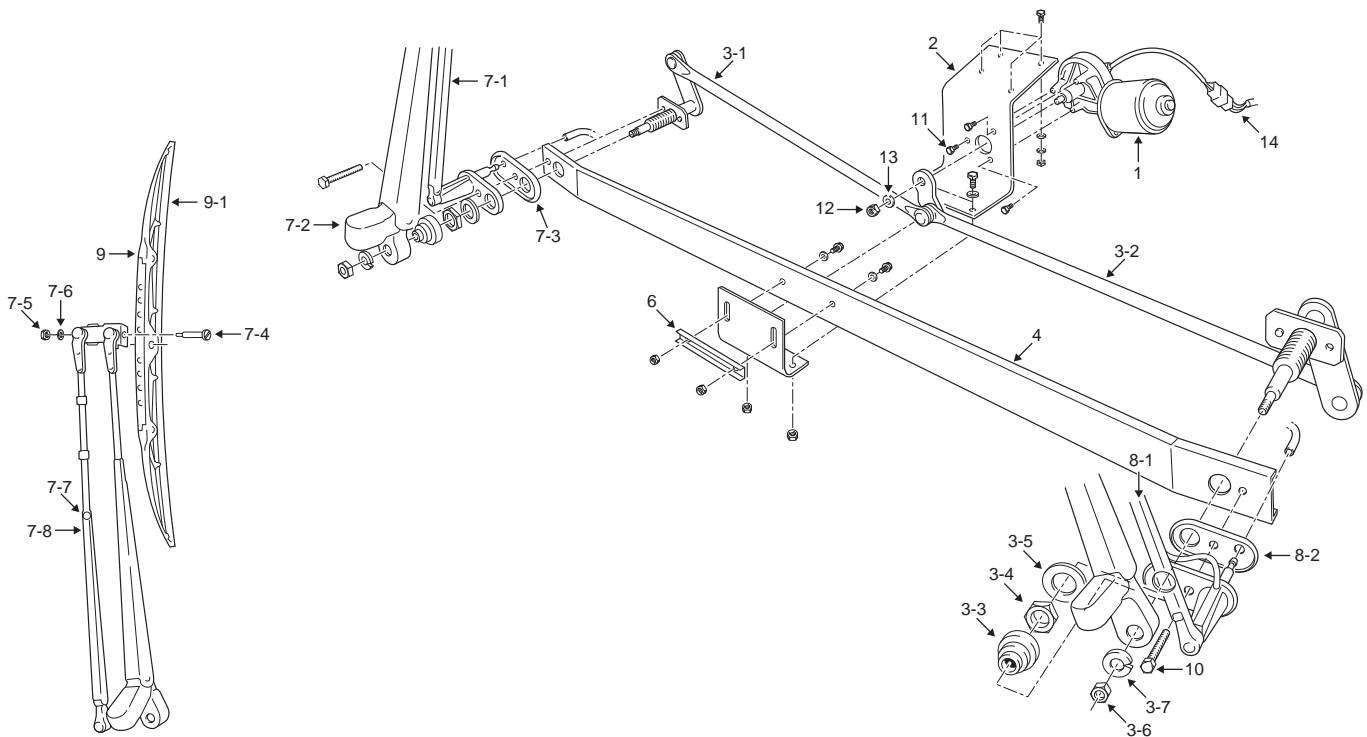
ITEM NO.	PART NO.	DESCRIPTION	QTY/UNIT
	060090-0070	Service Kit, Water Nozzle Parts (See Page 1)	
	060800-0550	Windshield Washer Kit (See Page 1)	

Fleetwood Terra (2006 - 2009)



ITEM NO.	PART NO.	DESCRIPTION	QTY/UNIT
1	159100-3220	Wiper Motor	1
2	159800-4470	Link Assembly (Includes 2-1 thru 2-6)	1
2-1	059901-1140	Rubber Cap	2
2-2	949050-4160	20mm Hex Nut	2
2-5	912601-0061	10mm Hex Nut	2
2-6	902581-0001	Lock Washer	2
3	LA146499-221A	Wiper Motor Bracket	1
4	LAY46499-0030	Wiper Stay A	1
5	LA146499-224A	Wiper Stay B	1
6	160050-7810	Arm Assembly (Passenger/Driver, Includes 6-1)	2
6-1	857044-1052	Plastic Cap	2
7	LA847210-0840	Blade Assembly (Includes 7-1)	2
7-1	LA060150-0150	Rubber Blade w/Backing	2
8	949007-2540	Screw w/Washer	4
9	91510-06141	Bolt w/Washer	3
10	90196-08651	Nut	1
11	902580-8001	Lock Washer	1
12	LA146499-1958	Bolt Lock	1
13	LA246440-5780	Wiring Adapter	1
14	LA146305-0450	Bulkhead Fitting	2
	060090-0070	Service Kit, Water Nozzle Parts (See Page 1)	
	060800-0550	Windshield Washer Kit (See Page 1)	

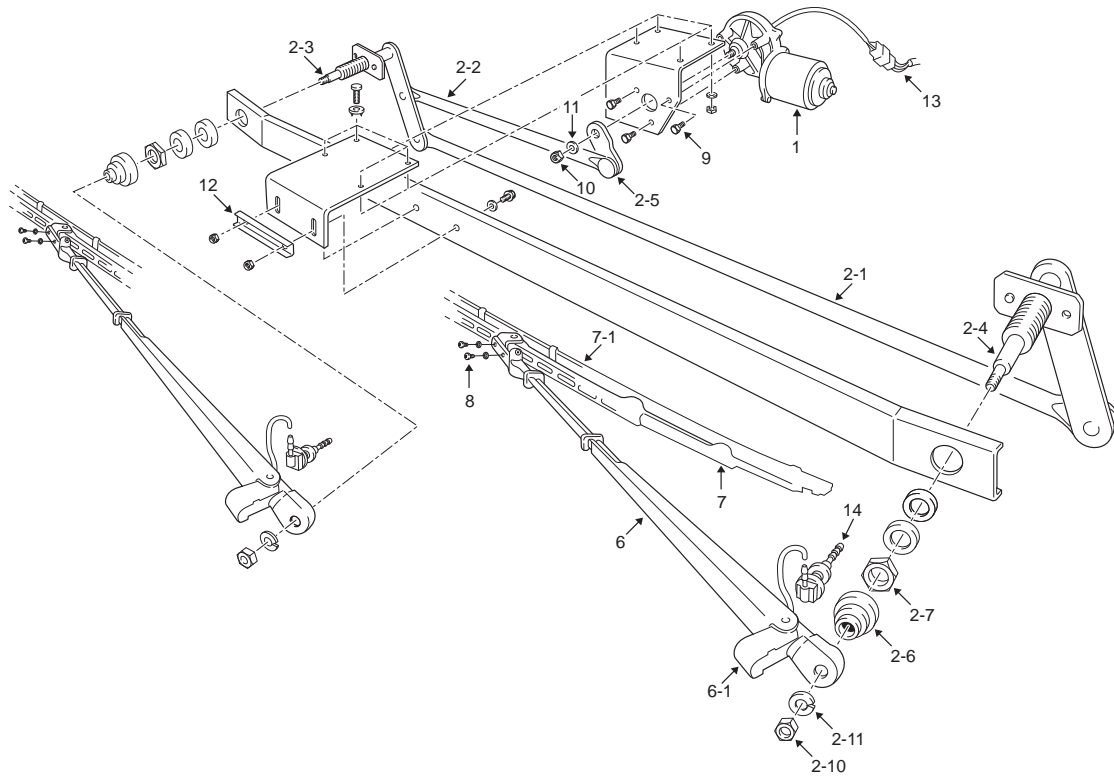
Fleetwood Terra (2001 - 2005)



ITEM NO.	PART NO.	DESCRIPTION	QTY/UNIT
1	159100-3220 159100-7520	Wiper Motor for Ford Chassis only Wiper Motor for Workhorse Chassis only	1 1
2	LAY46499-0080	Wiper Motor Bracket	1
3	159800-2451	Link Assembly (Includes 3-1 thru 3-7)	1
3-1	059828-6670	Tie Rod (Passenger)	1
3-2	059840-0260	Tie Rod, w/Crank Arm (Driver)	1
3-3	059901-1140	Rubber Cap	2
3-4	949050-4160	20mm Hex Nut	2
3-5	949011-7750	20mm Washer	2
3-6	912601-0061	10mm Hex Nut	2
3-7	902581-0001	Lock Washer	2
4	LA146499-0480	Wiper Stay A	1
6	LA146499-1958	Bolt Lock	1
7	160010-9921	Arm Assembly (Passenger, Includes 7-1 thru 7-8)	1
7-1	060062-0090	Arm Base (Passenger)	1
7-2	060054-0432	Plastic Cap	2
7-3	857048-2401	Gasket (Passenger)	1
7-4	857059-0020	Cap Screw	2
7-5	857056-0040	3mm Hex Nut	2
7-6	857174-0020	Lock Washer	2
7-7	949007-5680	Set Screw w/Washer	4
7-8	060029-0060	Back Plate	2
8	160050-5801	Arm Assembly (Driver, Includes 8-1, 8-2, 7-2, 7-4 thru 7-8)	1
8-1	060062-0100	Arm Base (Driver)	1
8-2	857048-2410	Gasket (Driver)	1
9	LA160100-7670	Blade Assembly (Includes 9-1)	2
9-1	LA060150-0010	Rubber Blade w/Backing	2
10	LA91120-00108	Hex Bolt (Black)	2
11	91510-06141	Bolt w/Washer	3
12	90196-08651	Nut	1

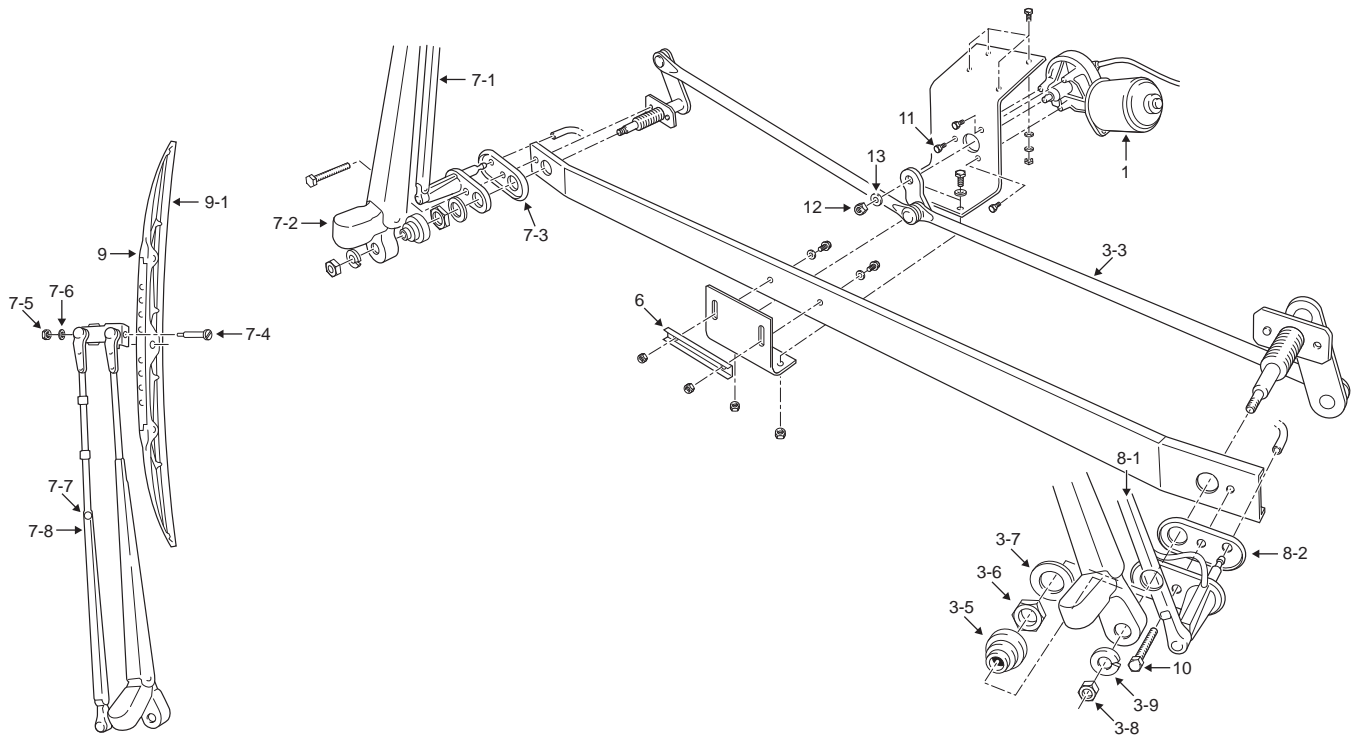
ITEM NO.	PART NO.	DESCRIPTION	QTY/UNIT
13	902580-8001	Lock Washer	1
14	LA246440-5780	Wiring Adapter for Ford Chassis only	1
	LA246450-4170	Wiring Adapter for Workhorse Chassis only	1
	060090-0010	Service Kit, Passenger Arm Hardware (Includes 7-3 thru 7-6)	
	060090-0030	Service Kit, Water Nozzle Parts (See Page 1)	
	060800-0550	Washer Kit (See Page 1)	

Fleetwood Vision (1996 - 2000)



ITEM NO.	PART NO.	DESCRIPTION	QTY/UNIT	ITEM NO.	PART NO.	DESCRIPTION	QTY/UNIT
1	159100-3220	Wiper Motor for Ford and GM P12/Workhorse W22 Chassis	1	060090-0070	Service Kit, Water Nozzle Parts (See Page 1)		
	159100-7520	Wiper Motor for GM/Workhorse Chassis only	1	060800-0550	Windshield Washer Kit (See Page 1)		
2	159800-1870	Link Assembly, (GM/Workhorse and Ford thru 1997) (Includes 2-1, 2-2, 2-3, 2-4, and 2-5 thru 2-11)	1				
	159800-3921	Link Assembly, Ford	1				
2-1	059828-9210	Tie Rod	1				
2-2	059828-9220	Tie Rod	1				
2-3	159960-6440	Pivot Assy. (Passenger)	1				
2-4	159960-4310	Pivot Assy. (Driver)	1				
2-5	859434-3990	Crank Arm Assy.	1				
2-6	059901-1140	Rubber Cap	2				
2-7	949050-4160	20mm Hex Nut	2				
2-10	912601-0061	10mm Hex Nut	2				
2-11	902581-0001	Lock Washer	2				
6	160050-7510	Arm Assembly (Passenger/Driver, Includes 6-1)	2				
6-1	857044-1052	Plastic Cap	2				
7	LA847210-0840	Blade Assembly (Includes 7-1)	2				
7-1	LA060150-0150	Rubber Blade w/Backing	2				
8	949007-2540	Screw w/Washer	4				
9	91510-06141	Bolt w/Washer	3				
10	90196-08651	Nut	1				
11	902580-8001	Lock Washer	1				
12	LA146499-1958	Bolt Lock	1				
13	LA246440-5780	Wiring Adapter for Ford Chassis only	1				
	LA246450-4170	Wiring Adapter for GM/Workhorse Chassis only	1				
	LA246460-399A	Wiring Adapter for GM P12/Workhorse W22 Chassis only	1				
14	LA146305-0450	Bulkhead Fitting	2				

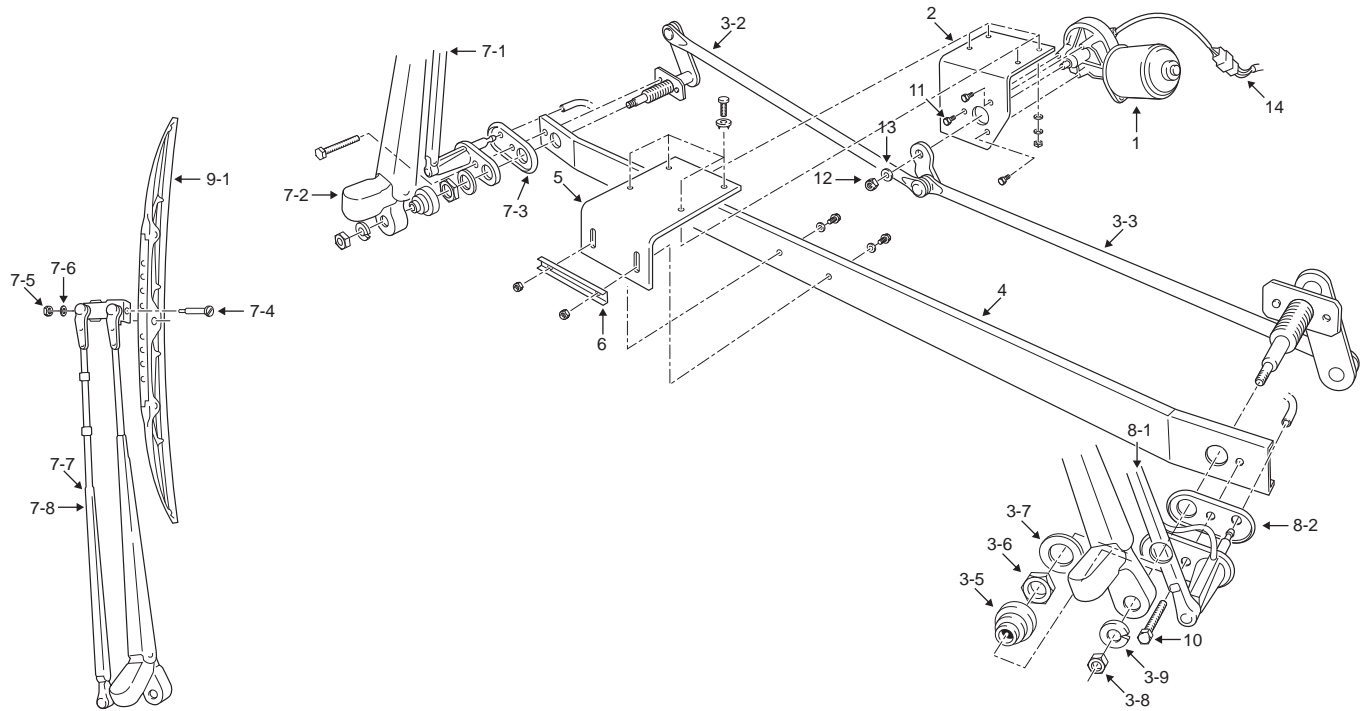
National RV Komfort (1988 - 1989)



ITEM NO.	PART NO.	DESCRIPTION	QTY/UNIT
1	159100-3220	Wiper Motor	1
3-3	059840-0260	Tie Rod w/Crank Arm (Driver)	1
3-5	059901-1140	Rubber Cap	2
3-6	949050-4160	20mm Hex Nut	2
3-7	949011-7750	20mm Washer	2
3-8	912601-0061	10mm Hex Nut	2
3-9	902581-0001	Lock Washer	2
7	160010-9411	Arm Assembly (Passenger, Includes 7-1 thru 7-8)	1
7-1	060062-0090	Arm Base (Passenger)	1
7-2	060054-0432	Plastic Cap	2
7-3	857048-2401	Gasket (Passenger)	1
7-4	857059-0020	Cap Screw	2
7-5	857056-0040	3mm Hex Nut	2
7-6	857174-0020	Lock Washer	2
7-7	949007-5680	Set Screw w/Washer	4
7-8	060029-0060	Back Plate	2
8	160050-5461	Arm Assembly (Driver, Includes 8-1, 8-2, 7-2, 7-4 thru 7-8)	1
8-1	060062-0100	Arm Base (Driver)	1
8-2	857048-2410	Gasket (Driver)	1
9	LA160100-8780	Blade Assembly (Includes 9-1)	2
9-1	LA060112-3650	Rubber Blade	2
10	LA91120-00108	Hex Bolt (Black)	2
11	91510-06141	Bolt w/Washer	3
12	90196-08651	Nut	1
13	902580-8001	Lock Washer	1

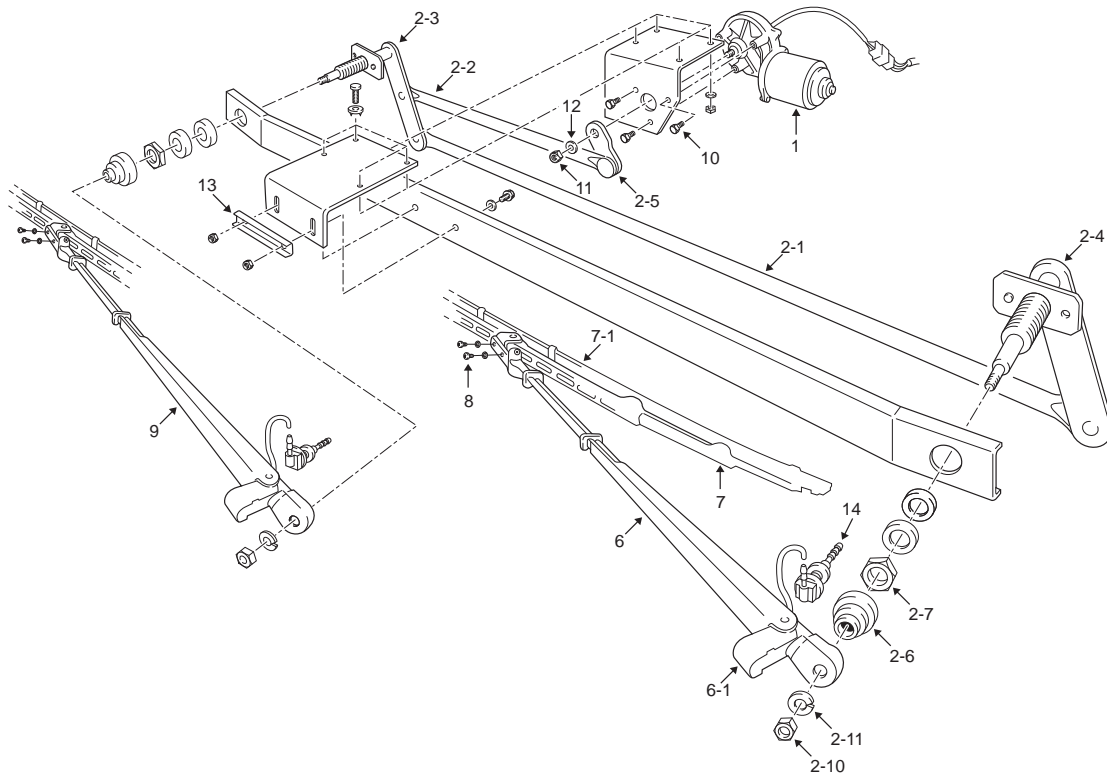
ITEM NO.	PART NO.	DESCRIPTION	QTY/UNIT
	060090-0010	Service Kit, Passenger Arm Hardware (Includes 7-3 thru 7-6)	
	060090-0030	Service Kit, Water Nozzle Parts (See Page 1)	
	160200-5160	Windshield Washer Kit (See Page 1)	
	550597-9020	Variable Intermittent Wiper Switch for Ford/Diesel Chassis only. (See Page 2)	

National RV Caribbean (2000 - 2002)



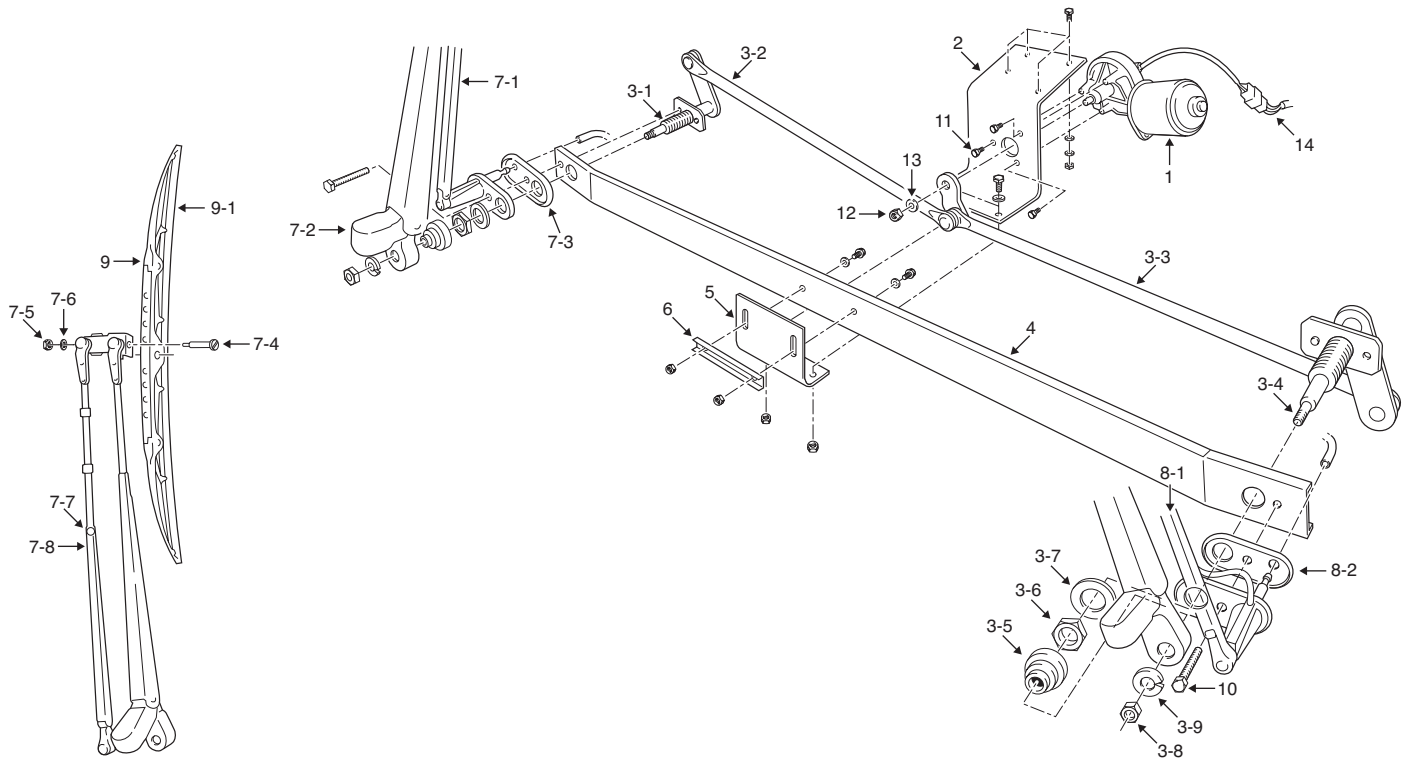
ITEM NO.	PART NO.	DESCRIPTION	QTY/UNIT	ITEM NO.	PART NO.	DESCRIPTION	QTY/UNIT
1	159100-3220	Wiper Motor	1	060090-0010	Service Kit, Passenger Arm Hardware (Includes 7-3 thru 7-6)		
2	LAY46499-0050	Wiper Motor Bracket	1	060090-0030	Service Kit, Water Nozzle Parts (See Page 1)		
3-2	059828-6670	Tie Rod (Passenger)	1	060800-0550	Windshield Washer Kit (See Page 1)		
3-3	059840-0260	Tie Rod w/Crank Arm (Driver)	1	550597-9020	Variable Intermittent Wiper Switch for Ford/Diesel Chassis only (See Page 2)		
3-5	059901-1140	Rubber Cap	2				
3-6	949050-4160	20mm Hex Nut	2				
3-7	949011-7750	20mm Washer	2				
3-8	912601-0061	10mm Hex Nut	2				
3-9	902581-0001	Lock Washer	2				
4	LA146499-0480	Wiper Stay A	1				
5	LAY46499-0040	Wiper Stay B	1				
6	LA146499-1958	Bolt Lock	1				
7	460010-2590	Arm Assembly (Passenger, Includes 7-1 thru 7-8)	1				
7-1	060062-0090	Arm Base (Passenger)	1				
7-2	060054-0432	Plastic Cap	2				
7-3	857048-2401	Gasket (Passenger)	1				
7-4	857059-0020	Cap Screw	2				
7-5	857056-0040	3mm Hex Nut	2				
7-6	857174-0020	Lock Washer	2				
7-7	949007-5680	Set Screw w/Washer	4				
7-8	060029-0060	Back Plate	2				
8	160050-7410	Arm Assembly (Driver, Includes 8-1, 8-2, 7-2, 7-4 thru 7-8)	1				
8-1	060062-0100	Arm Base (Driver)	1				
8-2	857048-2410	Gasket (Driver)	1				
9	LA160100-7670	Blade Assembly (Includes 9-1)	2				
9-1	LA060150-0010	Rubber Blade w/Backing	2				
10	LA91120-00108	Hex Bolt (Black)	2				
11	91510-06141	Bolt w/Washer	3				
12	90196-08651	Nut	1				
13	902580-8001	Lock Washer	1				
14	LA246440-5780	Wiring Adapter	1				

National RV Dolphin (2007 - 2008)



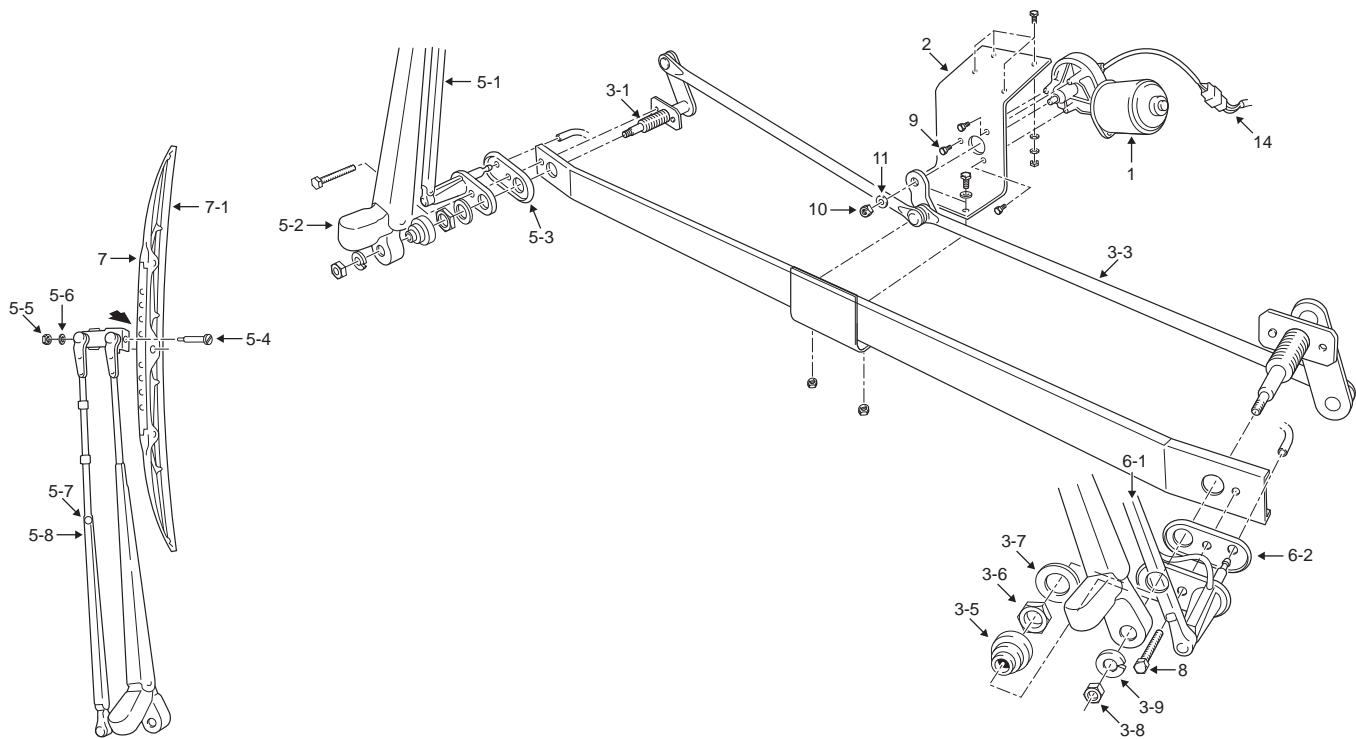
ITEM NO.	PART NO.	DESCRIPTION	QTY/UNIT
1	159100-3220	Wiper Motor	1
2-1	159827-4160	Tie Rod	1
2-2	159827-4150	Tie Rod	1
2-3	159950-1000	Pivot (Driver Side)	1
2-4	159960-9310	Pivot (Passenger Side)	1
2-5	859434-3990	Crank Arm	1
2-6	059901-1140	Rubber Cap	2
2-7	949050-4160	20mm Hex Nut	2
2-10	912601-0061	10mm Hex Nut	2
2-11	902581-0001	Lock Washer	2
4	LAY46499-0180	Wiper Stay A	1
6	460050-3340	Arm Assembly (Driver, Includes 6-1)	2
6-1	857044-1052	Plastic Cap	2
7	LA847210-0840	Blade Assembly (Includes 7-1)	2
7-1	LA060150-0150	Rubber Blade w/Backing	2
8	949007-2540	Screw w/Washer	4
9	160050-7510	Arm Assembly (Passenger Includes 6-1)	2
10	91510-06141	Bolt w/Washer	3
11	90196-08651	Nut	1
12	902580-8001	Lock Washer	1
13	LA146499-1958	Bolt Lock	1
14	LA146305-0450	Bulkhead Fitting	2
	060090-0070	Service Kit, Water Nozzle Parts (See Page 1)	
	060800-0550	Windshield Washer Kit (See Page 1)	

National RV Dolphin (1996 - 2006)



ITEM NO.	PART NO.	DESCRIPTION	QTY/UNIT	ITEM NO.	PART NO.	DESCRIPTION	QTY/UNIT
1	159100-3220	Wiper Motor for Ford and Workhorse W22 Chassis only	1	8-2	857048-2410	Gasket (Driver)	1
	159100-7370	Wiper Motor (2006)	1	9	LA160100-8780	Blade Assembly (Includes 9-1)	2
	159100-7520	Wiper Motor for GM/Workhorse (except W22) Chassis only	1	9-1	LA060112-3650	Rubber Blade	2
2	LA146499-2000	Wiper Motor Bracket	1	10	LA91120-00108	Hex Bolt (Black)	2
3	059800-9850	Link Assembly (Includes 3-1 thru 3-9)	1	11	91510-06141	Bolt w/Washer	3
3-1	159960-3760	Pivot (Passenger)	1	12	90196-08651	Nut	1
3-2	059828-6710	Tie Rod (Passenger)	1	13	902580-8001	Lock Washer	1
3-3	059840-0250	Tie Rod w/Crank Arm (Driver)	1	14	LA246440-5780	Wiring Adapter for Ford Chassis only	1
3-4	159960-3770	Pivot (Driver)	1		LA246450-4170	Wiring Adapter for GM/Workhorse Chassis only	1
3-5	059901-1140	Rubber Cap	2		LA246460-399A	Wiring Adapter for Workhorse W22 Chassis only	1
3-6	949050-4160	20mm Hex Nut	2	060090-0010		Service Kit, Passenger Arm Hardware (Includes 7-3 thru 7-6)	
3-7	949011-7750	20mm Washer	2	060090-0030		Service Kit, Water Nozzle Parts (See Page 1)	
3-8	912601-0061	10mm Hex Nut	2	160200-5160		Windshield Washer Kit (See Page 1)	
3-9	902581-0001	Lock Washer	2	550597-9020		Variable Intermittent Wiper Switch for Ford/Diesel Chassis only (See Page 2)	
4	LA146499-2010	Wiper Stay A	1				
5	LA146499-1930	Wiper Stay B (1996 - 2005)	1				
	LA146499-1929	Wiper Stay B (2006)	1				
6	LA146499-1958	Bolt Lock	1				
7	460010-2590	Arm Assembly (Passenger, Includes 7-1 thru 7-8)	1				
7-1	060062-0090	Arm Base (Passenger)	1				
7-2	060054-0432	Plastic Cap	2				
7-3	857048-2401	Gasket (Passenger)	1				
7-4	857059-0020	Cap Screw	2				
7-5	857056-0040	3mm Hex Nut	2				
7-6	857174-0020	Lock Washer	2				
7-7	949007-5680	Set Screw w/Washer	4				
7-8	060029-0060	Back Plate	2				
8	160050-7410	Arm Assembly (Driver, Includes 8-1, 8-2, 7-2, 7-4 thru 7-8)	1				
8-1	060062-0100	Arm Base (Driver)	1				

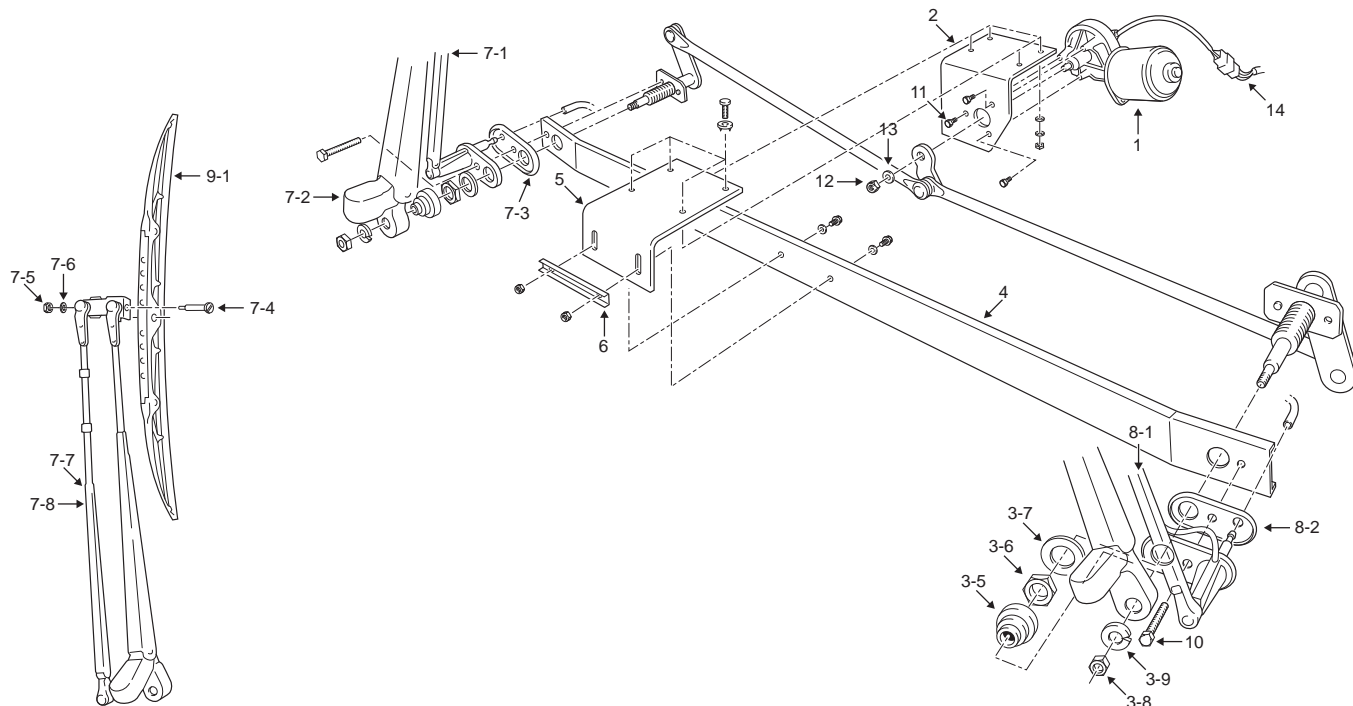
National RV Dolphin (1988 - 1995)



ITEM NO.	PART NO.	DESCRIPTION	QTY/UNIT
1	159100-3220 159100-7520	Wiper Motor for Ford Chassis only . . . Wiper Motor for GM Chassis only . . .	1 1
2	NRV000-1010	Wiper Motor Bracket	1
3	059800-8301	Link Assembly (Includes 3-1 thru 3-9)	1
3-1	159960-1511	Pivot (Passenger)	1
3-3	059840-0241	Tie Rod w/Crank Arm (Driver)	1
3-5	059901-1140	Rubber Cap	2
3-6	949050-4160	20mm Hex Nut	2
3-7	949011-7750	20mm Washer	2
3-8	912601-0061	10mm Hex Nut	2
3-9	902581-0001	Lock Washer	2
5	160010-9921	Arm Assembly (Passenger, Includes 5-1 thru 5-8)	1
5-1	060062-0090	Arm Base (Passenger)	1
5-2	060054-0432	Plastic Cap	2
5-3	857048-2401	Gasket (Passenger)	1
5-4	857059-0020	Cap Screw	2
5-5	857056-0040	3mm Hex Nut	2
5-6	857174-0020	Lock Washer	2
5-7	949007-5680	Set Screw w/Washer	4
5-8	060029-0060	Back Plate	2
6	160050-5801	Arm Assembly (Driver, Includes 6-1, 6-2, 5-2, 5-4 thru 5-8)	1
6-1	060062-0100	Arm Base (Driver)	1
6-2	857048-2410	Gasket (Driver)	1
7	LA160100-7670	Blade Assembly (Includes 9-1)	2
7-1	LA060150-0010	Rubber Blade w/Backing	2
8	LA91120-00108	Hex Bolt (Black)	2
9	91510-06141	Bolt w/Washer	3
10	90196-08651	Nut	1
11	902580-8001	Lock Washer	1

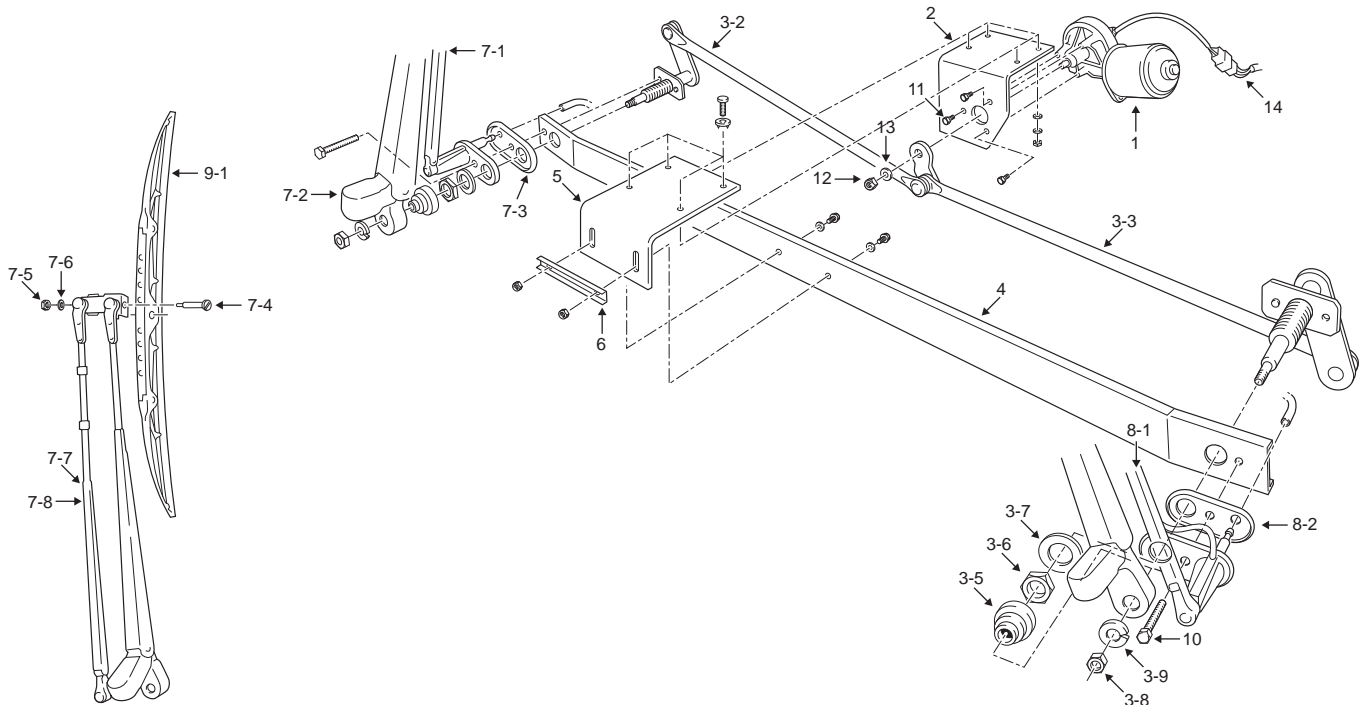
ITEM NO.	PART NO.	DESCRIPTION	QTY/UNIT
14	LA246440-5780	Wiring Adapter for Ford Chassis only	1
	LA246440-2060	Wiring Adapter for GM Chassis only (thru mid 1994)	1
	LA246450-4170	Wiring Adapter for GM Chassis only (mid 1994 - 1995)	1
	060090-0010	Service Kit, Passenger Arm Hardware (Includes 5-3 thru 5-6)	
	060090-0030	Service Kit, Water Nozzle Parts (See Page 1)	
	550597-9010	Variable Intermittent Wiper Switch for Ford/Diesel Chassis only (See Page 2)	

National RV Islander (2006)



ITEM NO.	PART NO.	DESCRIPTION	QTY/UNIT	ITEM NO.	PART NO.	DESCRIPTION	QTY/UNIT
1	159100-3220 159100-7520	Wiper Motor for Ford Chassis only . Wiper Motor for GM/Workhorse Chassis only	1 1	14	LA246440-5780 LA246450-4170	Wiring Adapter for Ford Chassis only Wiring Adapter for GM/Workhorse Chassis only	1 1
2	LAY46499-0050	Wiper Motor Bracket	1	060090-0010	060090-0030	Service Kit, Passenger Arm Hardware (Includes 7-3 thru 7-6) Service Kit, Water Nozzle Parts (See Page 1)	1 1
3	159800-0480	Link Assembly (Includes 3-1 thru 3-9)	1	060800-0550	550597-9010	Windshield Washer Kit (See Page 1) Variable Intermittent Wiper Switch (See Page 2)	1 1
3-5	059901-1140	Rubber Cap	2				
3-6	949050-4160	20mm Hex Nut	2				
3-7	949011-7750	20mm Washer	2				
3-8	912601-0061	10mm Hex Nut	2				
3-9	902581-0001	Lock Washer	2				
4	LAY46499-0190	Wiper Stay A	1				
5	LAY46499-0040	Wiper Stay B	1				
6	LA146499-1958	Bolt Lock	1				
7	160010-9921	Arm Assembly (Passenger, Includes 7-1 thru 7-8)	1				
7-1	060062-0090	Arm Base (Passenger)	1				
7-2	060054-0432	Plastic Cap	2				
7-3	857048-2401	Gasket (Passenger)	1				
7-4	857059-0020	Cap Screw	2				
7-5	857056-0040	3mm Hex Nut	2				
7-6	857174-0020	Lock Washer	2				
7-7	949007-5680	Set Screw w/Washer	4				
7-8	060029-0060	Back Plate	2				
8	160050-5801	Arm Assembly (Driver, Includes 8-1, 8-2, 7-2, 7-4 thru 7-8)	1				
8-1	059920-0100	Arm Base (Driver)	1				
8-2	857048-2410	Gasket (Driver)	1				
9	LA160100-7670	Blade Assembly (Includes 9-1)	2				
9-1	LA060150-0010	Rubber Blade w/Backing	2				
10	LA91120-00108	Hex Bolt (Black)	2				
11	91510-06141	Bolt w/Washer	3				
12	90196-08651	Nut	1				
13	902580-8001	Lock Washer	1				

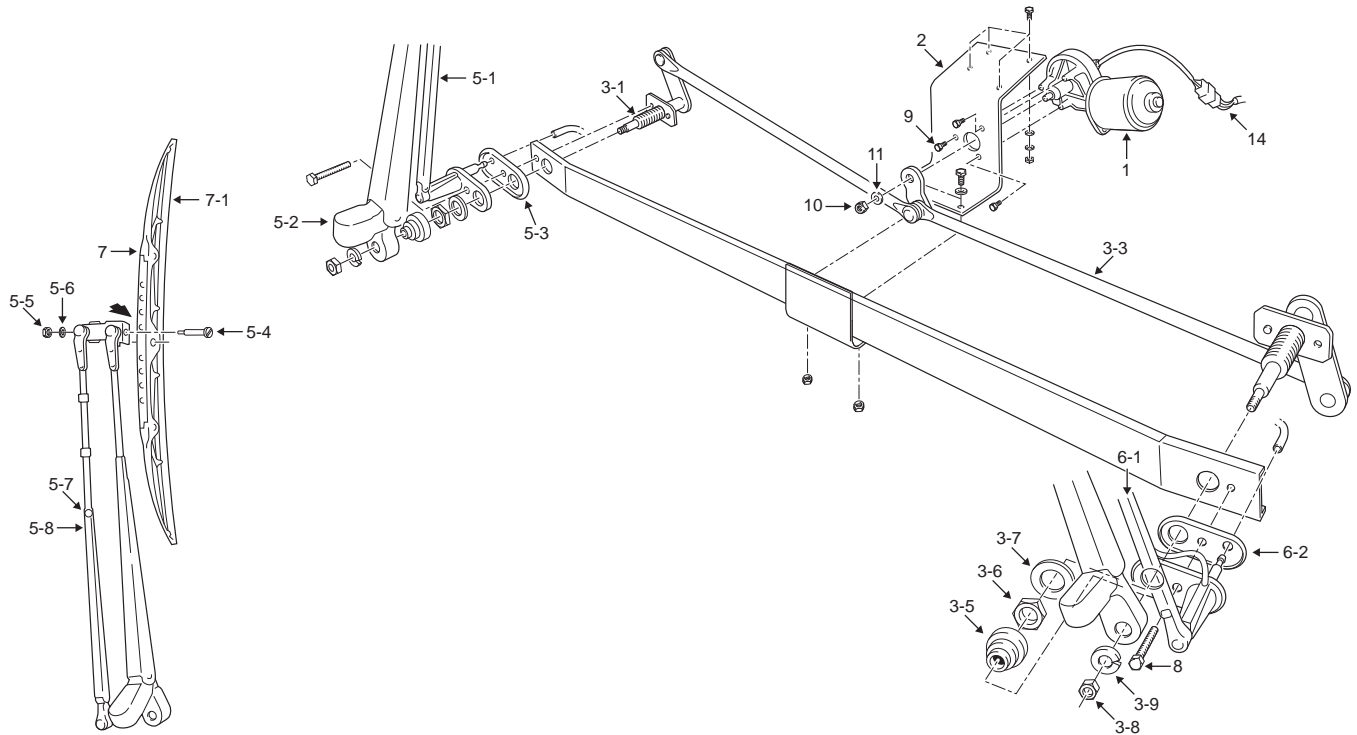
National RV Islander (2000 - 2005)



ITEM NO.	PART NO.	DESCRIPTION	QTY/UNIT
1	159100-3220	Wiper Motor	1
2	LAY46499-0050	Wiper Motor Bracket	1
3	159800-2451	Link Assembly (Includes 3-1 thru 3-9)	1
3-2	059828-6670	Tie Rod (Passenger)	1
3-3	059840-0260	Tie Rod w/Crank Arm (Driver)	1
3-5	059901-1140	Rubber Cap	2
3-6	949050-4160	20mm Hex Nut	2
3-7	949011-7750	20mm Washer	2
3-8	912601-0061	10mm Hex Nut	2
3-9	902581-0001	Lock Washer	2
4	LA146499-0480	Wiper Stay A	1
5	LAY46499-0040	Wiper Stay B	1
6	LA146499-1958	Bolt Lock	1
7	160010-9921	Arm Assembly (Passenger, Includes 7-1 thru 7-8)	1
7-1	060062-0090	Arm Base (Passenger)	1
7-2	060054-0432	Plastic Cap	2
7-3	857048-2401	Gasket (Passenger)	1
7-4	857059-0020	Cap Screw	2
7-5	857056-0040	3mm Hex Nut	2
7-6	857174-0020	Lock Washer	2
7-7	949007-5680	Set Screw w/Washer	4
7-8	060029-0060	Back Plate	2
8	160050-5801	Arm Assembly (Driver, Includes 8-1, 8-2, 7-2, 7-4 thru 7-8)	1
8-1	060062-0100	Arm Base (Driver)	1
8-2	857048-2410	Gasket (Driver)	1
9	LA160100-7670	Blade Assembly (Includes 7-1)	2
9-1	LA060150-0010	Rubber Blade w/Backing	2
10	LA91120-00108	Hex Bolt (Black)	2
11	91510-06141	Bolt w/Washer	3
12	90196-08651	Nut	1
13	902580-8001	Lock Washer	1

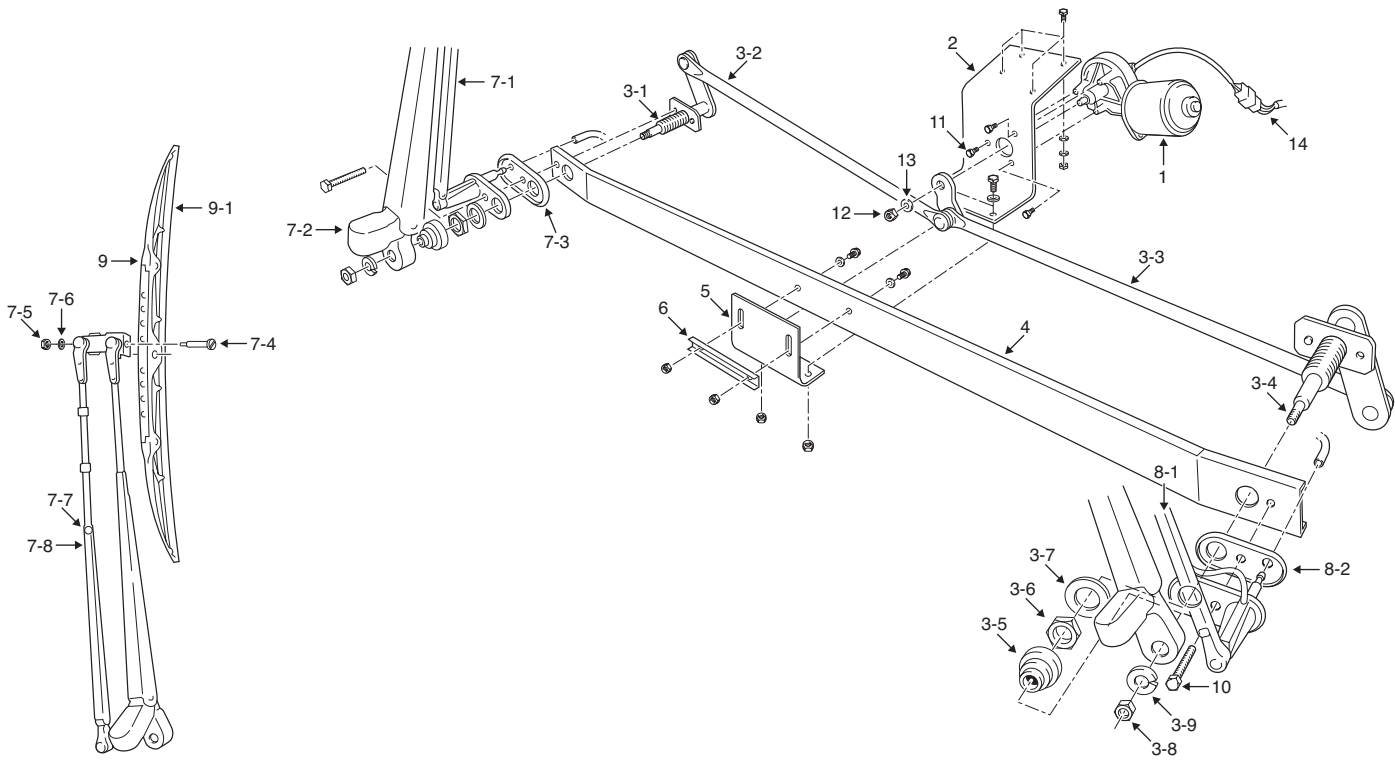
ITEM NO.	PART NO.	DESCRIPTION	QTY/UNIT
14	LA246440-5780	Wiring Adapter	1
	060090-0010	Service Kit, Passenger Arm Hardware (Includes 7-3 thru 7-6)	
	060090-0030	Service Kit, Water Nozzle Parts (See Page 1)	
	160200-5160	Windshield Washer Kit (See Page 1)	
	550597-9020	Variable Intermittent Wiper Switch for Ford/Diesel Chassis only (See Page 2)	

National RV Las Brisas (1990)



ITEM NO.	PART NO.	DESCRIPTION	QTY/UNIT	ITEM NO.	PART NO.	DESCRIPTION	QTY/UNIT
1	159100-3220	Wiper Motor for Ford Chassis only .	1	14	LA246440-5780	Wiring Adapter for Ford Chassis only	1
	159100-7520	Wiper Motor for GM Chassis only . .	1		LA246440-2060	Wiring Adapter for GM Chassis only	1
3	059800-8301	Link Assembly (Includes 3-1 thru 3-9)	1		060090-0010	Service Kit, Passenger Arm Hardware (Includes 7-3 thru 7-6)	
3-1	159960-1511	Pivot (Passenger)	1		060090-0030	Service Kit, Water Nozzle Parts (See Page 1)	
3-3	059840-0241	Tie Rod w/Crank Arm (Driver)	1		550597-9010	Variable Intermittent Wiper Switch for Ford/Diesel Chassis only (See Page 2)	
3-5	059901-1140	Rubber Cap	2				
3-6	949050-4160	20mm Hex Nut	2				
3-7	949011-7750	20mm Washer	2				
3-8	912601-0061	10mm Hex Nut	2				
3-9	902581-0001	Lock Washer	2				
5	160010-9921	Arm Assembly (Passenger, Includes 5-1 thru 5-8)	1				
5-1	060062-0090	Arm Base (Passenger)	1				
5-2	060054-0432	Plastic Cap	2				
5-3	857048-2401	Gasket (Passenger)	1				
5-4	857059-0020	Cap Screw	2				
5-5	857056-0040	3mm Hex Nut	2				
5-6	857174-0020	Lock Washer	2				
5-7	949007-5680	Set Screw w/Washer	4				
5-8	060029-0060	Back Plate	2				
6	160050-5801	Arm Assembly (Driver, Includes 6-1, 6-2, 5-2, 5-4 thru 5-8)	1				
6-1	060062-0100	Arm Base (Driver)	1				
6-2	857048-2410	Gasket (Driver)	1				
7	LA160100-7670	Blade Assembly (Includes 7-1)	2				
7-1	LA060150-0010	Rubber Blade w/Backing	2				
8	LA91120-00108	Hex Bolt (Black)	2				
9	91510-06141	Bolt w/Washer	3				
10	90196-08651	Nut	1				
11	902580-8001	Lock Washer	1				

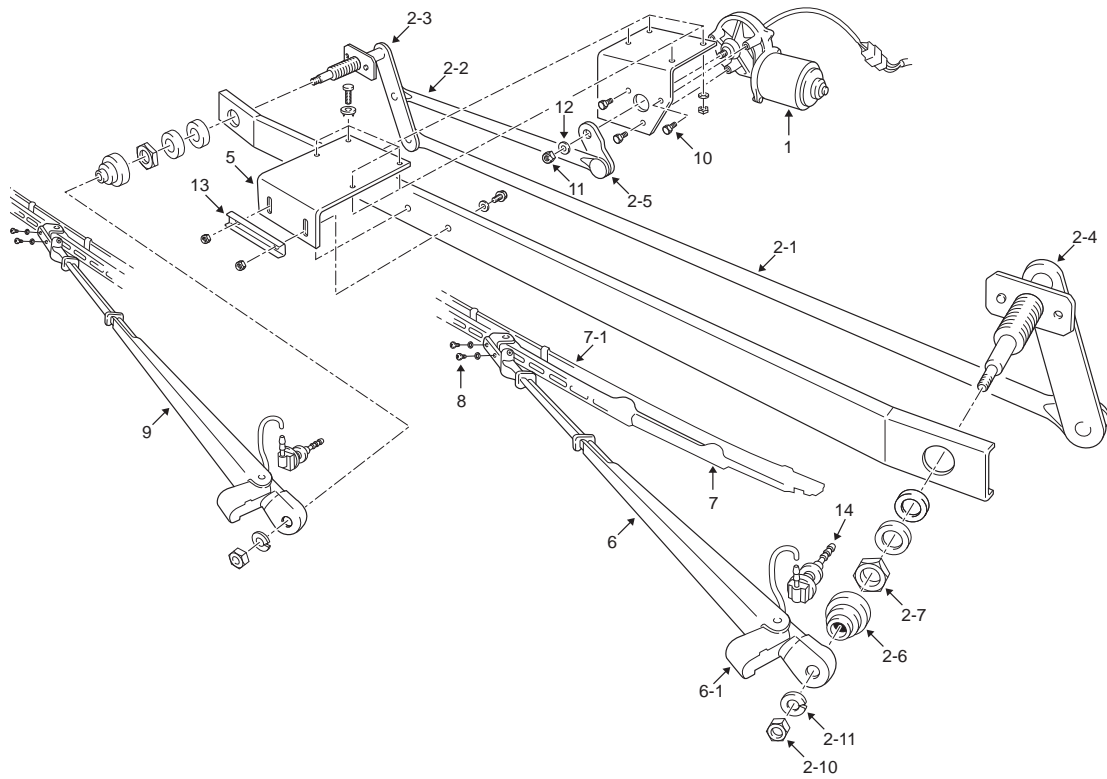
National RV Marlin (2001 - 2003)



ITEM NO.	PART NO.	DESCRIPTION	QTY/UNIT
1	159100-3220	Wiper Motor	1
2	LA146499-2000	Wiper Motor Bracket	1
3	059800-9850	Link Assembly (Includes 3-1 thru 3-9)	1
3-1	159960-3760	Pivot (Passenger)	1
3-2	059828-6710	Tie Rod (Passenger)	1
3-3	059840-0250	Tie Rod w/Crank Arm (Driver)	1
3-4	159960-3770	Pivot (Driver)	1
3-5	059901-1140	Rubber Cap	2
3-6	949050-4160	20mm Hex Nut	2
3-7	949011-7750	20mm Washer	2
3-8	912601-0061	10mm Hex Nut	2
3-9	902581-0001	Lock Washer	2
4	LA146499-2010	Wiper Stay A	1
5	LA146499-1930	Wiper Stay B	1
6	LA146499-1958	Bolt Lock	1
7	460010-2590	Arm Assembly (Passenger, Includes 7-1 thru 7-8)	1
7-1	060062-0090	Arm Base (Passenger)	1
7-2	060054-0432	Plastic Cap	2
7-3	857048-2401	Gasket (Passenger)	1
7-4	857059-0020	Cap Screw	2
7-5	857056-0040	3mm Hex Nut	2
7-6	857174-0020	Lock Washer	2
7-7	949007-5680	Set Screw w/Washer	4
7-8	060029-0060	Back Plate	2
8	160050-7410	Arm Assembly (Driver, Includes 8-1, 8-2, 7-2, 7-4 thru 7-8)	1
8-1	060062-0100	Arm Base (Driver)	1
8-2	857048-2410	Gasket (Driver)	1
9	LA160100-8780	Blade Assembly (Includes 9-1)	2
9-1	LA060112-3650	Rubber Blade	2
10	LA91120-00108	Hex Bolt (Black)	2
11	91510-06141	Bolt w/Washer	3

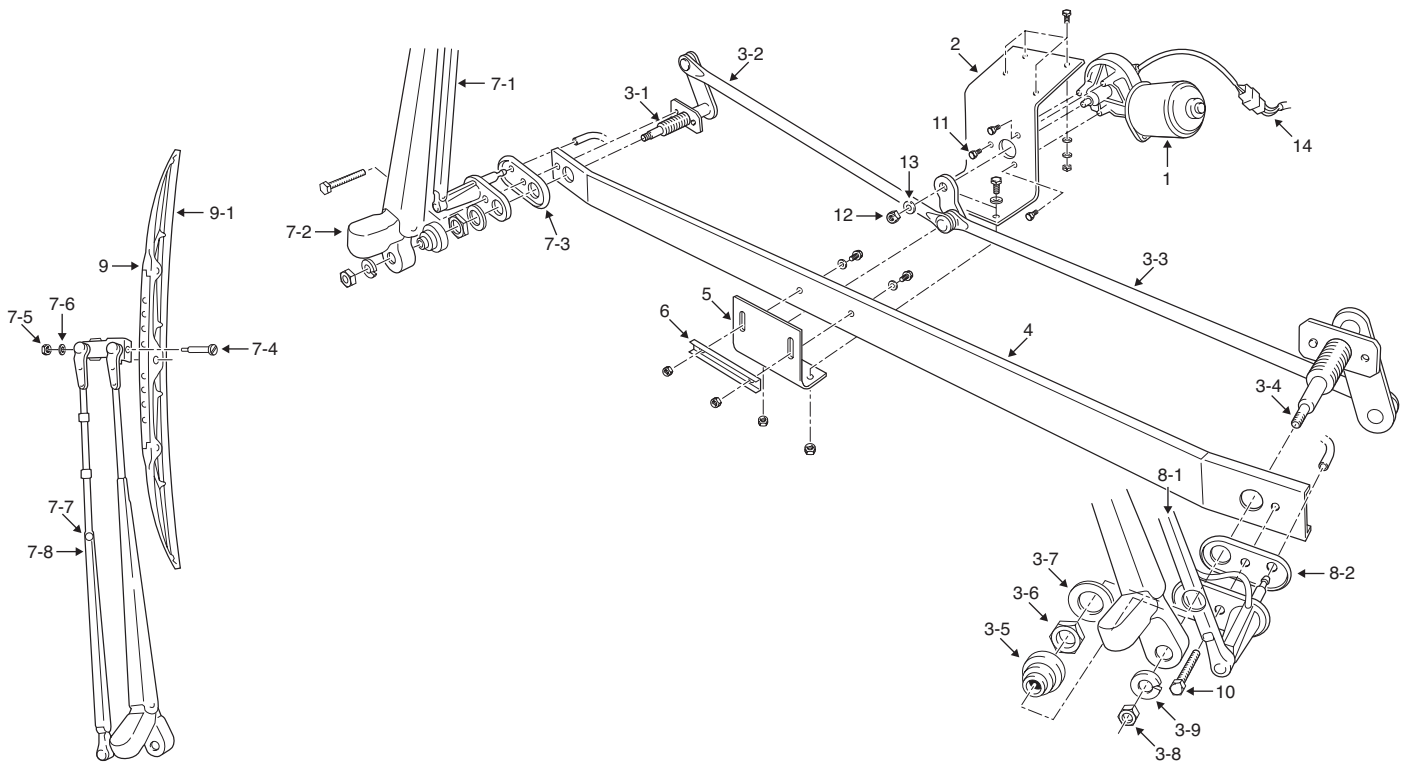
ITEM NO.	PART NO.	DESCRIPTION	QTY/UNIT
12	90196-08651	Nut	1
13	902580-8001	Lock Washer	1
14	LA246440-5780	Wiring Adapter	1
	060090-0010	Service Kit, Passenger Arm Hardware (Includes 7-3 thru 7-6)	
	060090-0030	Service Kit, Water Nozzle Parts (See Page 1)	
	160200-5160	Windshield Washer Kit (See Page 1)	
	550597-9020	Variable Intermittent Wiper Switch for Ford/Diesel Chassis only (See Page 2)	

National RV Pacifica (2007 - 2008)



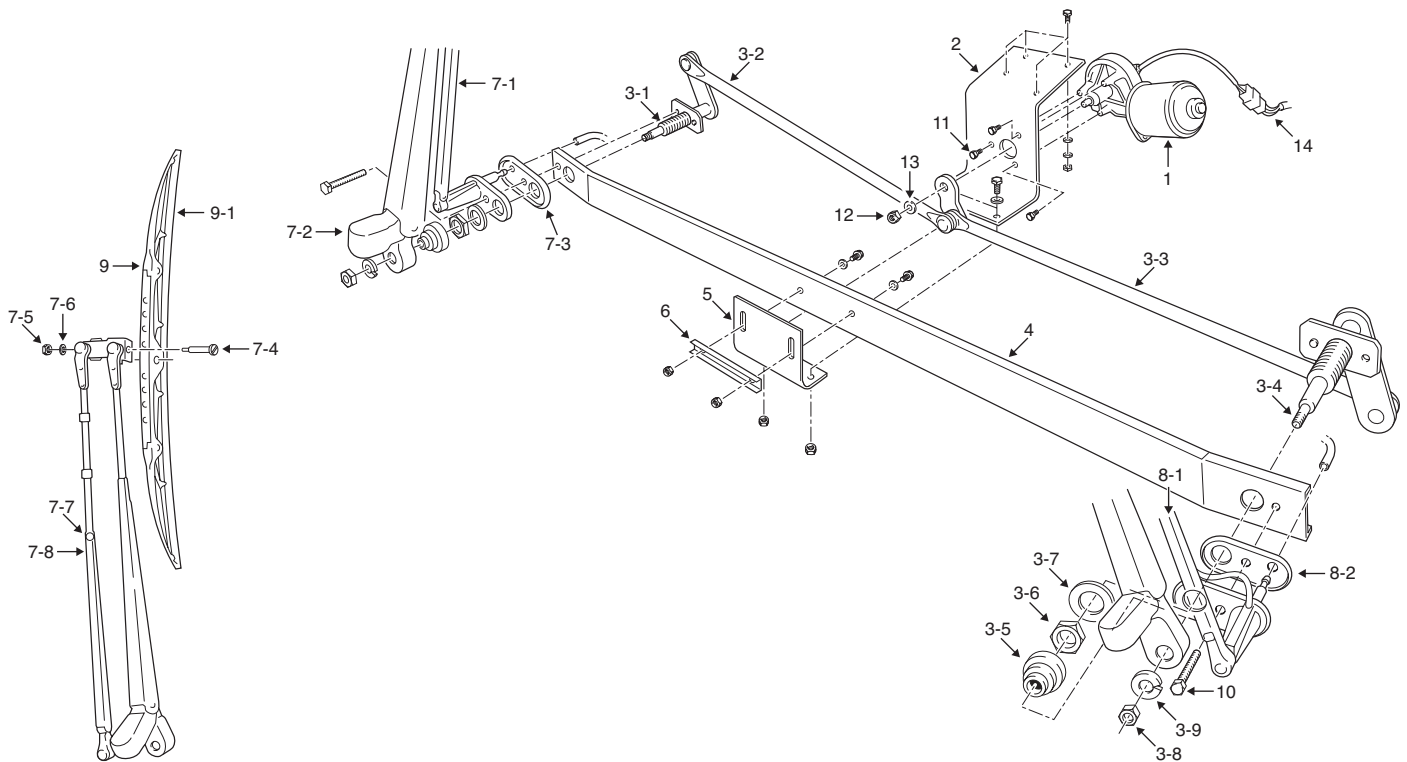
ITEM NO.	PART NO.	DESCRIPTION	QTY/ UNIT
1	159100-3220	Wiper Motor	1
2-1	159827-4160	Tie Rod	1
2-2	159827-4150	Tie Rod	1
2-3	159950-1000	Pivot (Driver Side)	1
2-4	159960-9310	Pivot (Passenger Side)	1
2-5	859434-3990	Crank Arm	1
2-6	059901-1140	Rubber Cap	2
2-7	949050-4160	20mm Hex Nut	2
2-10	912601-0061	10mm Hex Nut	2
2-11	902581-0001	Lock Washer	2
4	LAY46499-0180	Wiper Stay A	1
6	460050-3340	Arm Assembly (Driver, Includes 6-1)	2
6-1	857044-1052	Plastic Cap	2
7	LA847210-0840	Blade Assembly (Includes 7-1)	2
7-1	LA060150-0150	Rubber Blade w/Backing	2
8	949007-2540	Screw w/Washer	4
9	160050-7510	Arm Assembly (Passenger Includes 6-1)	2
10	91510-06141	Bolt w/Washer	3
11	90196-08651	Nut	1
12	902580-8001	Lock Washer	1
13	LA146499-1958	Bolt Lock	1
14	LA146305-0450	Bulkhead Fitting	2
	060090-0070	Service Kit, Water Nozzle Parts (See Page 1)	
	060800-0550	Windshield Washer Kit (See Page 1)	

National RV Sea Breeze (1996 - 2008)



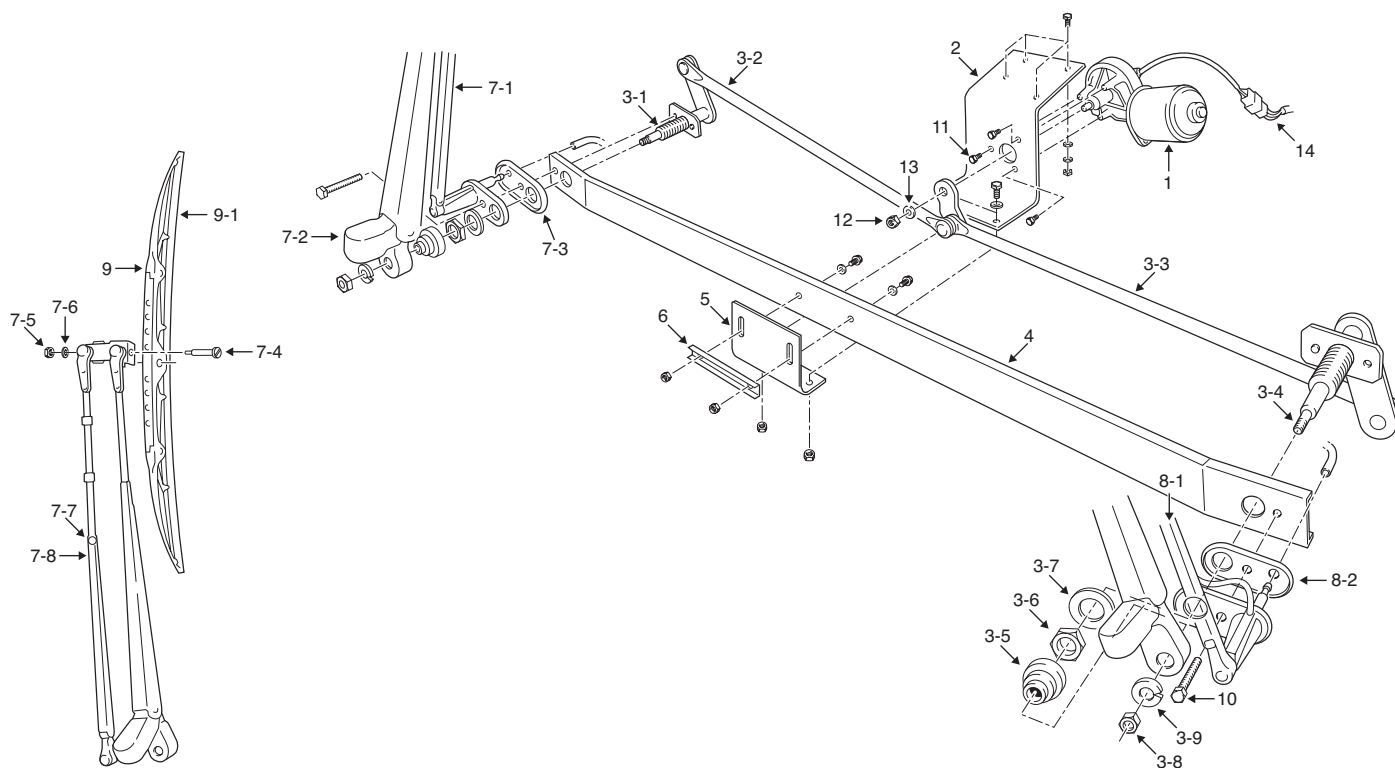
ITEM NO.	PART NO.	DESCRIPTION	QTY/UNIT	ITEM NO.	PART NO.	DESCRIPTION	QTY/UNIT
1	159100-3220	Wiper Motor for Ford and Workhorse W22 Chassis only	1	8-2	857048-2410	Gasket (Driver)	1
	159100-7370	Wiper Motor for Ford (2005 - 2007)	1	9	LA160100-8780	Blade Assembly (Includes 9-1)	2
	159100-7520	Wiper Motor for GM/Workhorse (except W22) Chassis only	1	9-1	LA060112-3650	Rubber Blade	2
2	LA146499-2000	Wiper Motor Bracket	1	10	LA91120-00108	Hex Bolt (Black)	2
3	059800-9850	Link Assembly (Includes 3-1 thru 3-9)	1	11	91510-06141	Bolt w/Washer	3
3-1	159960-3760	Pivot (Passenger)	1	12	90196-08651	Nut	1
3-2	059828-6710	Tie Rod (Passenger)	1	13	902580-8001	Lock Washer	1
3-3	059840-0250	Tie Rod w/Crank Arm (Driver)	1	14	LA246440-5780	Wiring Adapter for Ford Chassis only	1
3-4	159960-3770	Pivot (Driver)	1		LA246450-4170	Wiring Adapter for GM/Workhorse Chassis only	1
3-5	059901-1140	Rubber Cap	2		LA246460-399A	Wiring Adapter for Workhorse W22 Chassis only	1
3-6	949050-4160	20mm Hex Nut	2	060090-0010		Service Kit, Passenger Arm Hardware (Includes 7-3 thru 7-6)	
3-7	949011-7750	20mm Washer	2	060090-0030		Service Kit, Water Nozzle Parts (See Page 1)	
3-8	912601-0061	10mm Hex Nut	2	160200-5160		Windshield Washer Kit (See Page 1)	
3-9	902581-0001	Lock Washer	2	550597-9020		Variable Intermittent Wiper Switch for Ford/Diesel Chassis only (See Page 2)	
4	LA146499-2010	Wiper Stay A	1				
5	LA146499-1930	Wiper Stay B	1				
6	LA146499-1958	Bolt Lock	1				
7	460010-2590	Arm Assembly (Passenger, Includes 7-1 thru 7-8)	1				
7-1	060062-0100	Arm Base (Passenger)	1				
7-2	060054-0432	Plastic Cap	2				
7-3	857048-2401	Gasket (Passenger)	1				
7-4	857059-0020	Cap Screw	2				
7-5	857056-0040	3mm Hex Nut	2				
7-6	857174-0020	Lock Washer	2				
7-7	949007-5680	Set Screw w/Washer	4				
7-8	060029-0060	Back Plate	2				
8	160050-7410	Arm Assembly (Driver, Includes 8-1, 8-2, 7-2, 7-4 thru 7-8)	1				
8-1	060062-0101	Arm Base (Driver)	1				

National RV Sea Breeze (1993 - 1995)



ITEM NO.	PART NO.	DESCRIPTION	QTY/UNIT	ITEM NO.	PART NO.	DESCRIPTION	QTY/UNIT
1	159100-7370	Wiper Motor	1	12	90196-08651	Nut	1
2	LA146499-2000	Wiper Motor Bracket	1	13	902580-8001	Lock Washer	1
3	059800-9850	Link Assembly (Includes 3-1 thru 3-9)	1	14	LA246440-5780	Wiring Adapter for Ford Chassis only	1
3-1	159960-3760	Pivot (Passenger)	1	LA246440-2060	Wiring Adapter for GM Chassis only (thru mid 1994)	1	
3-2	059828-6710	Tie Rod (Passenger)	1	LA246450-4170	Wiring Adapter for GM Chassis only (mid 1994 - 1995)	1	
3-3	059840-0250	Tie Rod w/Crank Arm (Driver)	1	060090-0010	Service Kit, Passenger Arm Hardware (Includes 7-3 thru 7-6)		
3-4	159960-3770	Pivot (Driver)	1	060090-0030	Service Kit, Water Nozzle Parts (See Page 1)		
3-5	059901-1140	Rubber Cap	2	160200-5160	Windshield Washer Kit (See Page 1)		
3-6	949050-4160	20mm Hex Nut	2	550597-9020	Variable Intermittent Wiper Switch for Ford/Diesel Chassis only (See Page 2)		
3-7	949011-7750	20mm Washer	2				
3-8	912601-0061	10mm Hex Nut	2				
3-9	902581-0001	Lock Washer	2				
4	LA146499-2010	Wiper Stay A	1				
5	LA146499-1930	Wiper Stay B	1				
6	LA146499-1958	Bolt Lock	1				
7	460010-2590	Arm Assembly (Passenger, Includes 7-1 thru 7-8)	1				
7-1	060062-0090	Arm Base (Passenger)	1				
7-2	060054-0432	Plastic Cap	2				
7-3	857048-2401	Gasket (Passenger)	1				
7-4	857059-0020	Cap Screw	2				
7-5	857056-0040	3mm Hex Nut	2				
7-6	857174-0020	Lock Washer	2				
7-7	949007-5680	Set Screw w/Washer	4				
7-8	060029-0060	Back Plate	2				
8	160050-7410	Arm Assembly (Driver, Includes 8-1, 8-2, 7-2, 7-4 thru 7-8)	1				
8-1	060062-0100	Arm Base (Driver)	1				
8-2	857048-2410	Gasket (Driver)	1				
9	LA160100-8780	Blade Assembly (Includes 9-1)	2				
9-1	LA060112-3650	Rubber Blade	2				
10	LA91120-00108	Hex Bolt (Black)	2				
11	91510-06141	Bolt w/Washer	3				

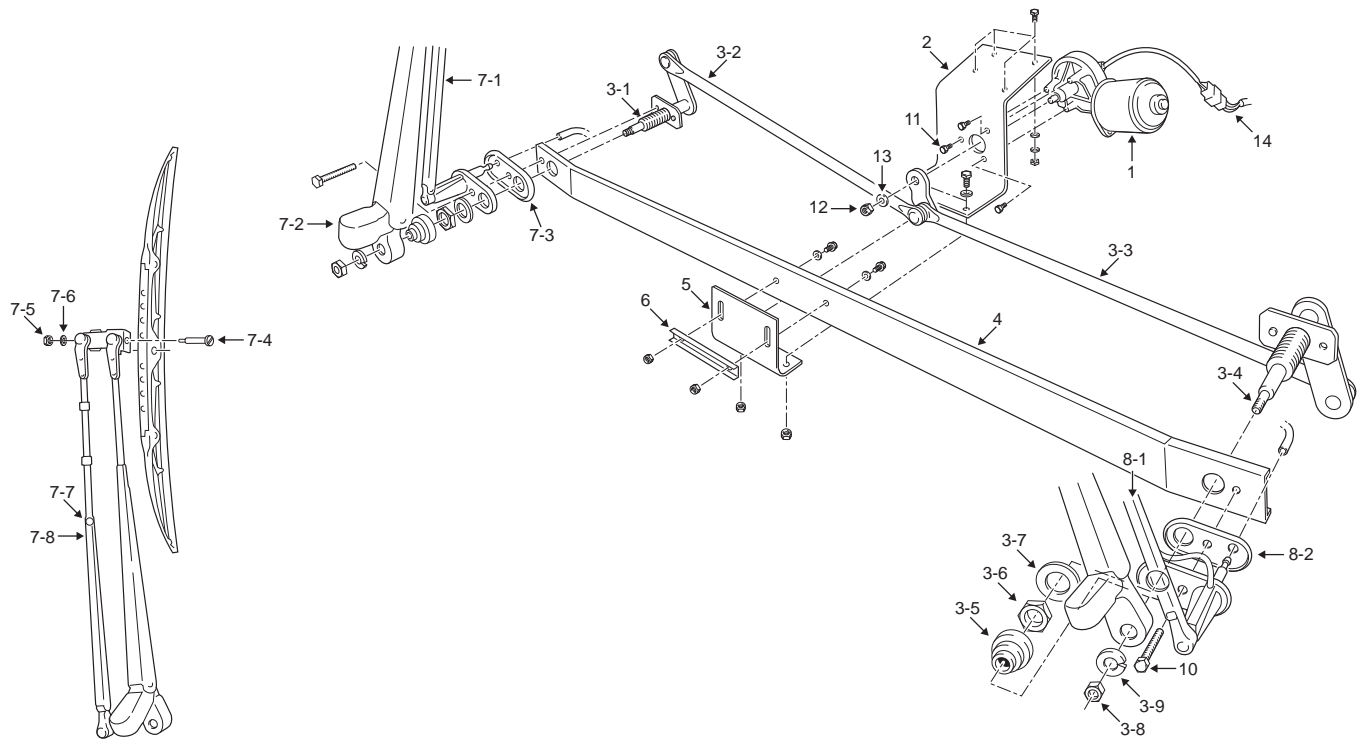
National RV Sea View (1998 - 2003)



ITEM NO.	PART NO.	DESCRIPTION	QTY/UNIT
1	159100-3220	Wiper Motor	1
2	LA146499-2000	Wiper Motor Bracket	1
3	059800-9850	Link Assembly (Includes 3-1 thru 3-9)	1
3-1	159960-3760	Pivot (Passenger)	1
3-2	059828-6710	Tie Rod (Passenger)	1
3-3	059840-0250	Tie Rod w/Crank Arm (Driver)	1
3-4	159960-3770	Pivot (Driver)	1
3-5	059901-1140	Rubber Cap	2
3-6	949050-4160	20mm Hex Nut	2
3-7	949011-7750	20mm Washer	2
3-8	912601-0061	10mm Hex Nut	2
3-9	902581-0001	Lock Washer	2
4	LA146499-2010	Wiper Stay A	1
5	LA146499-1930	Wiper Stay B	1
6	LA146499-1958	Bolt Lock	1
7	460010-2590	* Arm Assembly (Passenger, Includes 7-1 thru 7-8)	1
7-1	060062-0090	Arm Base (Passenger)	1
7-2	060054-0432	Plastic Cap	2
7-3	857048-2401	Gasket (Passenger)	1
7-4	857059-0020	Cap Screw	2
7-5	857056-0040	3mm Hex Nut	2
7-6	857174-0020	Lock Washer	2
7-7	949007-5680	Set Screw w/Washer	4
7-8	060029-0060	Back Plate	2
8	160050-7410	* Arm Assembly (Driver, Includes 8-1, 8-2, 7-2, 7-4 thru 7-8)	1
8-1	060062-0100	Arm Base (Driver)	1
8-2	857048-2410	Gasket (Driver)	1
9	LA160100-8780	Blade Assembly (Includes 9-1)	2
9-1	LA060112-3650	Rubber Blade	2
10	LA91120-00108	Hex Bolt (Black)	2
11	91510-06141	Bolt w/Washer	3

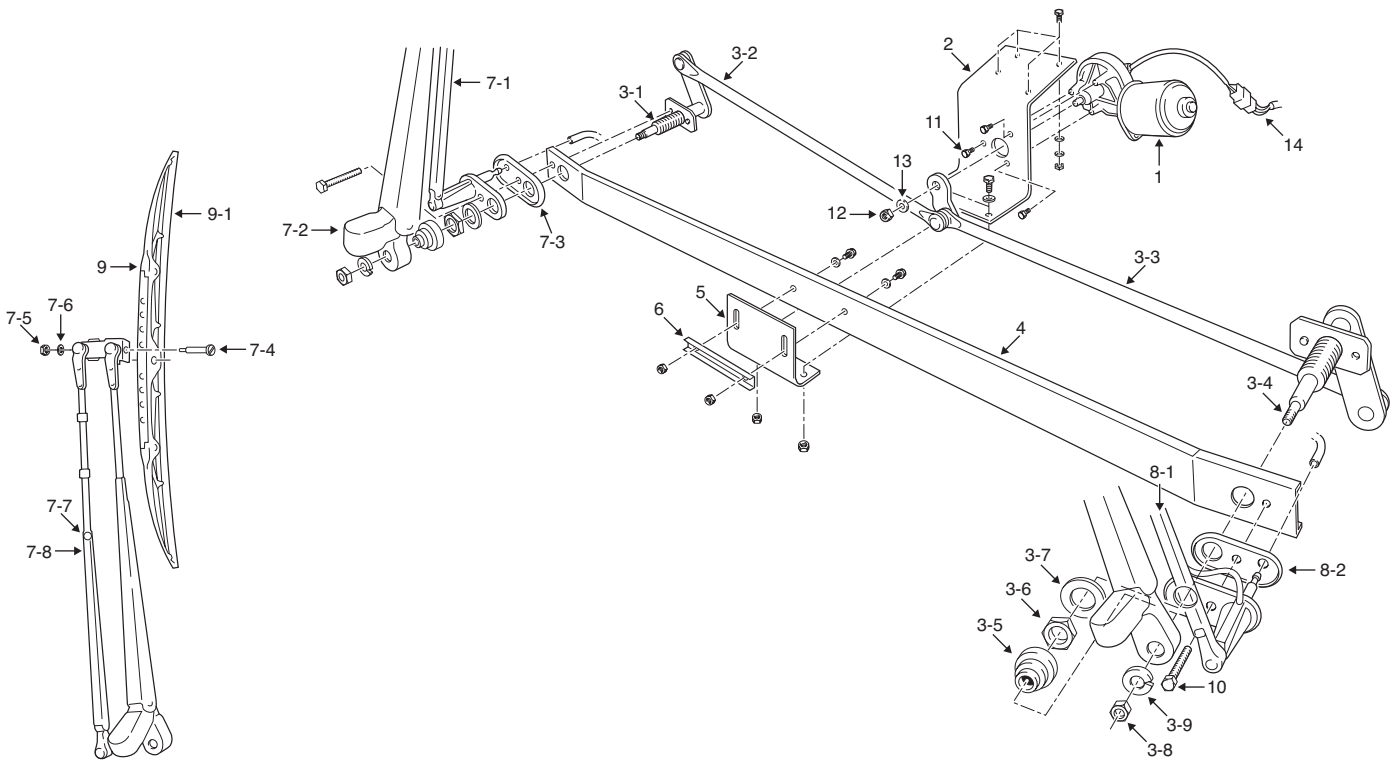
ITEM NO.	PART NO.	DESCRIPTION	QTY/UNIT
12	90196-08651	Nut	1
13	902580-8001	Lock Washer	1
14	LA246440-5780	Wiring Adapter	1
	060090-0010	Service Kit, Passenger Arm Hardware (Includes 7-3 thru 7-6)	
	060090-0030	Service Kit, Water Nozzle Parts (See Page 1)	
	160200-5160	Windshield Washer Kit (See Page 1)	
	550597-9020	Variable Intermittent Wiper Switch for Ford/Diesel Chassis only (See Page 2)	

National RV Surfside (2006 - 2008)



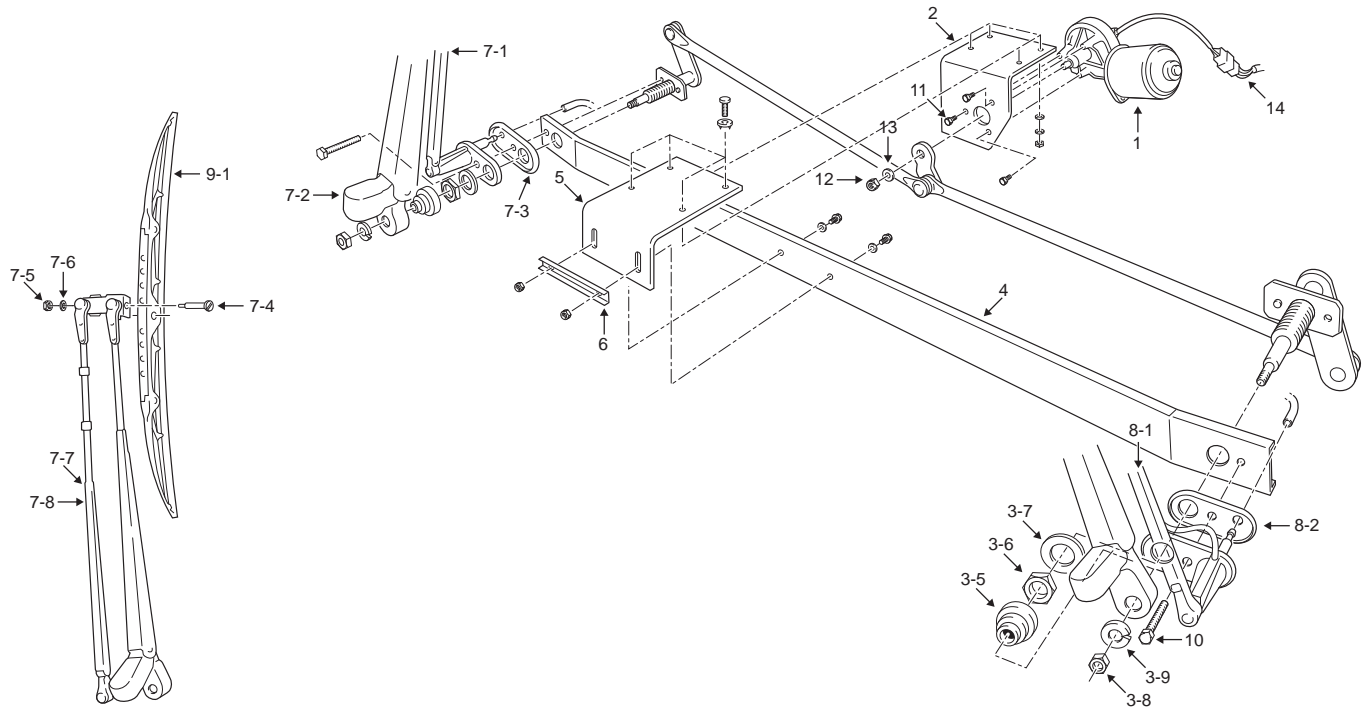
ITEM NO.	PART NO.	DESCRIPTION	QTY/ UNIT	ITEM NO.	PART NO.	DESCRIPTION	QTY/ UNIT
1	159100-3220 159100-7520	Wiper Motor for Ford Chassis only . Wiper Motor for GM/Workhorse Chassis only	1 1	12	90196-08651	Nut	1
2	LA146499-2000	Wiper Motor Bracket	1	13	902580-8001	Lock Washer	1
3	059800-9850	Link Assembly (Includes 3-1 thru 3-9)	1	14	LA246440-5780 LA246450-4170	Wiring Adapter for Ford Chassis only Wiring Adapter for GM/Workhorse Chassis only	1 1
3-1	159960-3760	Pivot (Passenger)	1	060090-0010		Service Kit, Passenger Arm Hardware (Includes 7-3 thru 7-6)	
3-2	059828-6710	Tie Rod (Passenger)	1	060090-0030		Service Kit, Water Nozzle Parts (See Page 1)	
3-3	059840-0250	Tie Rod w/Crank Arm (Driver)	1	160200-5160		Windshield Washer Kit (See Page 1)	
3-4	159960-3770	Pivot (Driver)	1	550597-9020		Variable Intermittent Wiper Switch for Ford/Diesel Chassis only (See Page 2)	
3-5	059901-1140	Rubber Cap	2				
3-6	949050-4160	20mm Hex Nut	2				
3-7	949011-7750	20mm Washer	2				
3-8	912601-0061	10mm Hex Nut	2				
3-9	902581-0001	Lock Washer	2				
4	LA146499-2010	Wiper Stay A	1				
5	LA146499-1929	Wiper Stay B	1				
6	LA146499-1958	Bolt Lock	1				
7	460010-2590	Arm Assembly (Passenger, Includes 7-1 thru 7-8)	1				
7-1	060062-0090	Arm Base (Passenger)	1				
7-2	060054-0432	Plastic Cap	2				
7-3	857048-2401	Gasket (Passenger)	1				
7-4	857059-0020	Cap Screw	2				
7-5	857056-0040	3mm Hex Nut	2				
7-6	857174-0020	Lock Washer	2				
7-7	949007-5680	Set Screw w/Washer	4				
7-8	060029-0060	Back Plate	2				
8	160050-7410	Arm Assembly (Driver, Includes 8-1, 8-2, 7-2, 7-4 thru 7-8)	1				
8-1	060062-0100	Arm Base (Driver)	1				
8-2	857048-2410	Gasket (Driver)	1				
10	LA91120-00108	Hex Bolt (Black)	2				
11	91510-06141	Bolt w/Washer	3				

National RV Surfside (1999 - 2003)



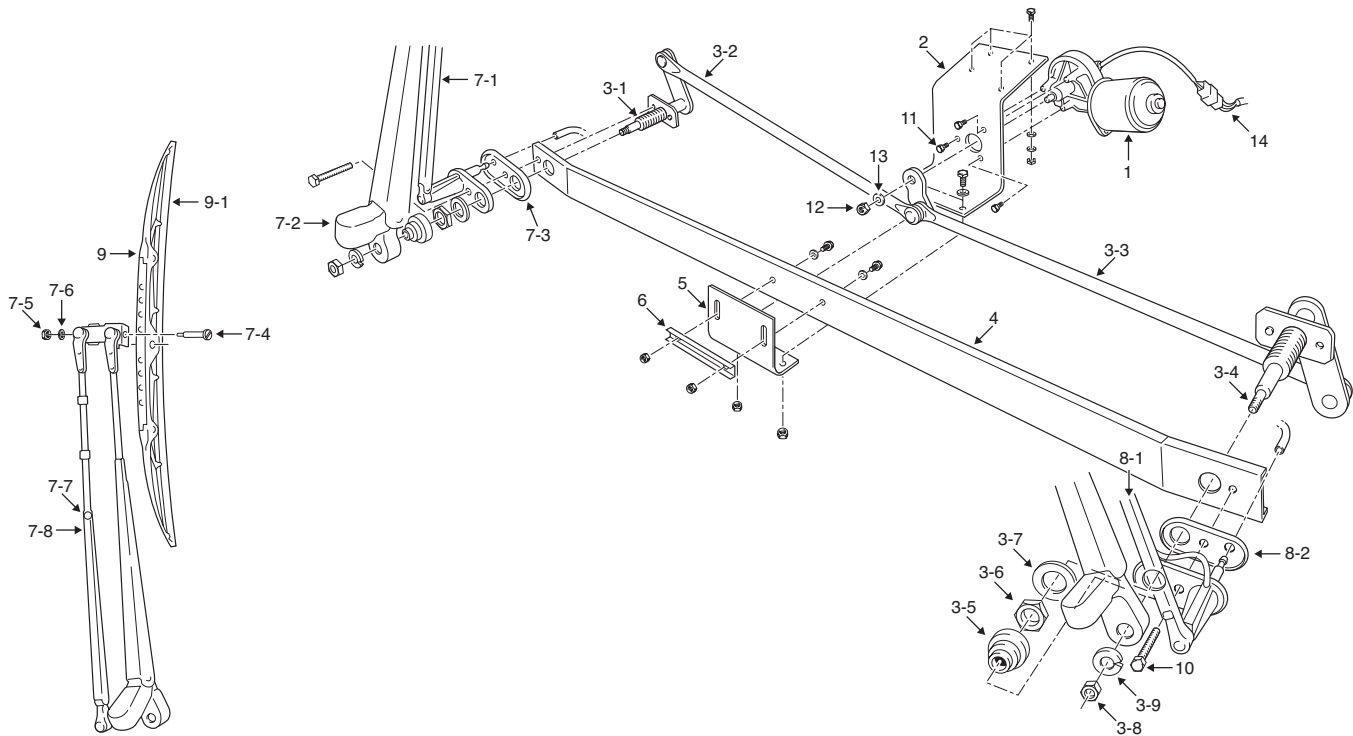
ITEM NO.	PART NO.	DESCRIPTION	QTY/UNIT	ITEM NO.	PART NO.	DESCRIPTION	QTY/UNIT
1	159100-3220 159100-7520	Wiper Motor for Ford Chassis only Wiper Motor for GM/Workhorse Chassis only	1 1	10	LA91120-00108	Hex Bolt (Black)	2
2	LA146499-2000	Wiper Motor Bracket	1	11	91510-06141	Bolt w/Washer	3
3	059800-9850	Link Assembly (Includes 3-1 thru 3-9)	1	12	90196-08651	Nut	1
3-1	159960-3760	Pivot (Passenger)	1	13	902580-8001	Lock Washer	1
3-2	059828-6710	Tie Rod (Passenger)	1	14	LA246440-5780	Wiring Adapter for Ford Chassis only	1
3-3	059840-0250	Tie Rod w/Crank Arm (Driver)	1		LA246450-4170	Wiring Adapter for GM/Workhorse Chassis only	1
3-4	159960-3770	Pivot (Driver)	1	060090-0010		Service Kit, Passenger Arm Hardware (Includes 7-3 thru 7-6)	
3-5	059901-1140	Rubber Cap	2	060090-0030		Service Kit, Water Nozzle Parts (See Page 1)	
3-6	949050-4160	20mm Hex Nut	2	160200-5160		Windshield Washer Kit (See Page 1)	
3-7	949011-7750	20mm Washer	2	550597-9020		Variable Intermittent Wiper Switch for Ford/Diesel Chassis only (See Page 2)	
3-8	912601-0061	10mm Hex Nut	2				
3-9	902581-0001	Lock Washer	2				
4	LA146499-2010	Wiper Stay A	1				
5	LA146499-1930	Wiper Stay B	1				
6	LA146499-1958	Bolt Lock	1				
7	460010-2590	Arm Assembly (Passenger, Includes 7-1 thru 7-8)	1				
7-1	060062-0090	Arm Base (Passenger)	1				
7-2	060054-0432	Plastic Cap	2				
7-3	857048-2401	Gasket (Passenger)	1				
7-4	857059-0020	Cap Screw	2				
7-5	857056-0040	3mm Hex Nut	2				
7-6	857174-0020	Lock Washer	2				
7-7	949007-5680	Set Screw w/Washer	4				
7-8	060029-0060	Back Plate	2				
8	160050-7410	Arm Assembly (Driver, Includes 8-1, 8-2, 7-2, 7-4 thru 7-8)	1				
8-1	060062-0100	Arm Base (Driver)	1				
8-2	857048-2410	Gasket (Driver)	1				
9	LA160100-8780	Blade Assembly (Includes 9-1)	2				
9-1	LA060112-3650	Rubber Blade	2				

National RV Tradewinds (2006 - 2008)

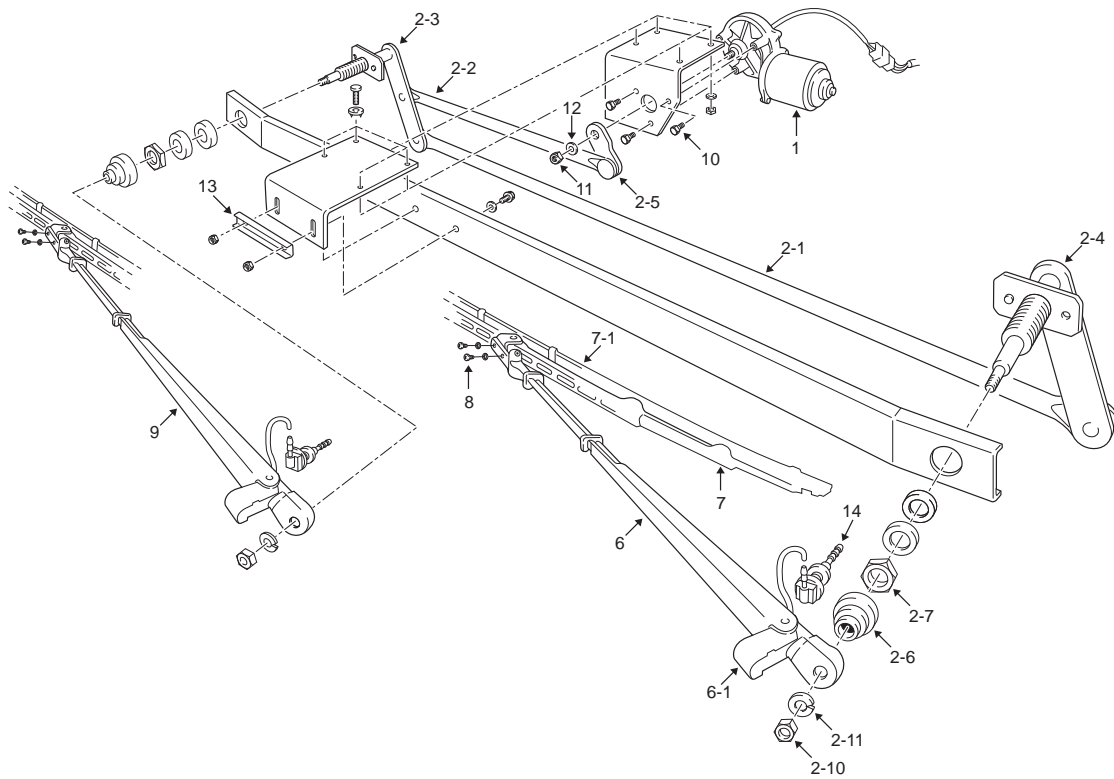


ITEM NO.	PART NO.	DESCRIPTION	QTY/UNIT	ITEM NO.	PART NO.	DESCRIPTION	QTY/UNIT
1	159100-3220 159100-7520	Wiper Motor for Ford Chassis only . Wiper Motor for GM/Workhorse	1	14	LA246440-5780	Wiring Adapter for Ford Chassis only	1
2	LAY46499-0050	Wiper Motor Bracket	1		LA246440-2060	Wiring Adapter for GM Chassis only (thru mid 1994)	1
3	159800-0480	Link Assembly (Includes 3-1 thru 3-9)	1		LA246450-4170	Wiring Adapter for GM Chassis only (mid 1994 - 2008)	1
3-5	059901-1140	Rubber Cap	2		060090-0010	Service Kit, Passenger Arm Hardware (Includes 7-3 thru 7-6)	
3-6	949050-4160	20mm Hex Nut	2		060090-0030	Service Kit, Water Nozzle Parts (See Page 1)	
3-7	949011-7750	20mm Washer	2		060800-0550	Windshield Washer Kit (See Page 1)	
3-8	912601-0061	10mm Hex Nut	2		550597-9010	Variable Intermittent Wiper Switch (See Page 2)	
3-9	902581-0001	Lock Washer	2				
4	LAY46499-0190	Wiper Stay A	1				
5	LAY46499-0040	Wiper Stay B	1				
6	LA146499-1958	Bolt Lock	1				
7	160010-9921	Arm Assembly (Passenger, Includes 7-1 thru 7-8)	1				
7-1	060062-0090	Arm Base (Passenger)	1				
7-2	060054-0432	Plastic Cap	2				
7-3	857048-2401	Gasket (Passenger)	1				
7-4	857059-0020	Cap Screw	2				
7-5	857056-0040	3mm Hex Nut	2				
7-6	857174-0020	Lock Washer	2				
7-7	949007-5680	Set Screw w/Washer	4				
7-8	060029-0060	Back Plate	2				
8	160050-5801	Arm Assembly (Driver, Includes 8-1, 8-2, 7-2, 7-4 thru 7-8)	1				
8-1	060062-0100	Arm Base (Driver)	1				
8-2	857048-2410	Gasket (Driver)	1				
9	LA160100-7670	Blade Assembly (Includes 9-1)	2				
9-1	LA060150-0010	Rubber Blade w/Backing	2				
10	LA91120-00108	Hex Bolt (Black)	2				
11	91510-06141	Bolt w/Washer	3				
12	90196-08651	Nut	1				
13	902580-8001	Lock Washer	1				

National RV Tradewinds (1998 - 2005)

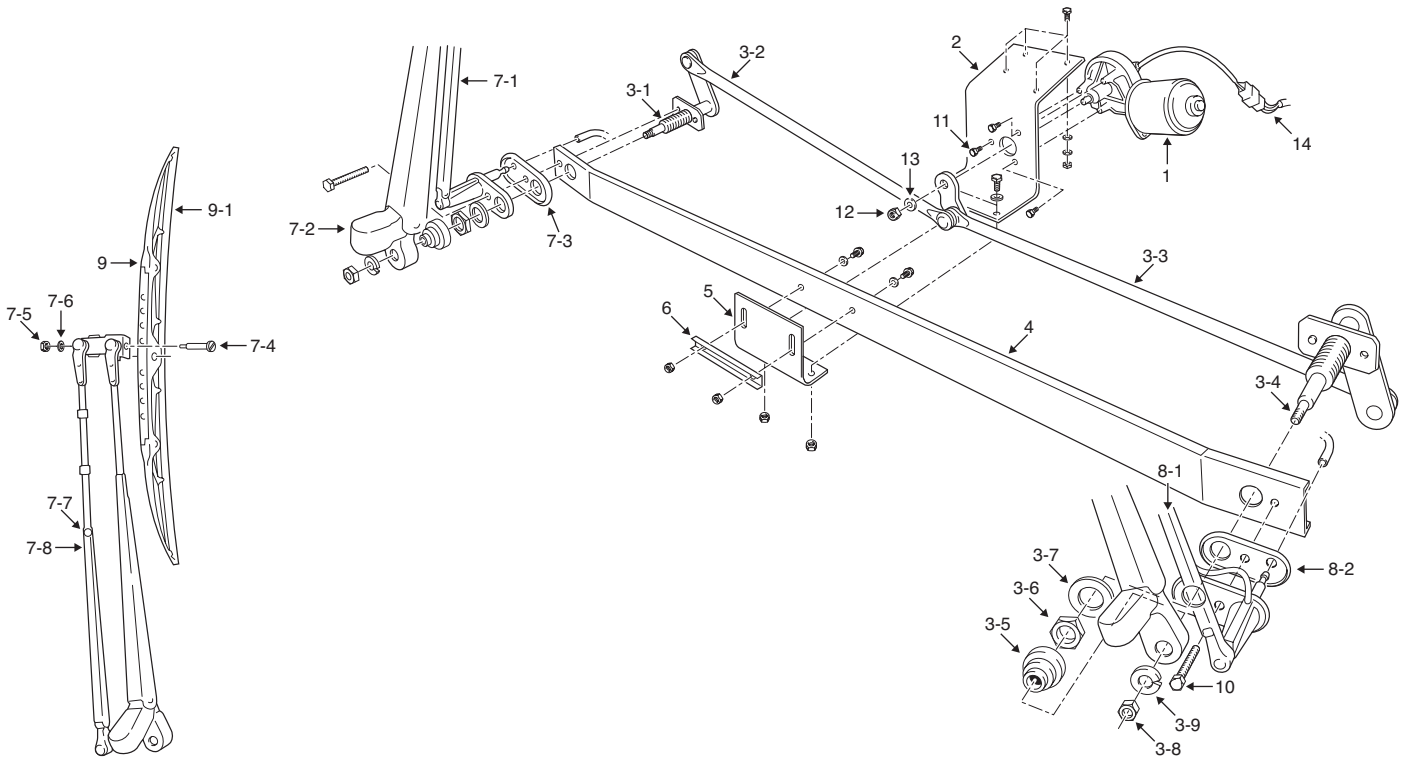


ITEM NO.	PART NO.	DESCRIPTION	QTY/UNIT	ITEM NO.	PART NO.	DESCRIPTION	QTY/UNIT
1	159100-7370	Wiper Motor	1	12	90196-08651	Nut	1
2	LA146499-2000	Wiper Motor Bracket	1	13	902580-8001	Lock Washer	1
3	059800-9850	Link Assembly (Includes 3-1 thru 3-9)	1	14	LA246440-5780	Wiring Adapter	1
3-1	159960-3760	Pivot (Passenger)	1		060090-0010	Service Kit, Passenger Arm Hardware (Includes 7-3 thru 7-6)	
3-2	059828-6710	Tie Rod (Passenger)	1		060090-0030	Service Kit, Water Nozzle Parts (See Page 1)	
3-3	059840-0250	Tie Rod w/Crank Arm (Driver)	1		160200-5160	Windshield Washer Kit (See Page 1)	
3-4	159960-3770	Pivot (Driver)	1		550597-9020	Variable Intermittent Wiper Switch for Ford/Diesel Chassis only (See Page 2)	
3-5	059901-1140	Rubber Cap	2				
3-6	949050-4160	20mm Hex Nut	2				
3-7	949011-7750	20mm Washer	2				
3-8	912601-0061	10mm Hex Nut	2				
3-9	902581-0001	Lock Washer	2				
4	LA146499-2010	Wiper Stay A	1				
5	LA146499-1930	Wiper Stay B	1				
6	LA146499-1958	Bolt Lock	1				
7	460010-2590	Arm Assembly (Passenger, Includes 7-1 thru 7-8)	1				
7-1	060062-0090	Arm Base (Passenger)	1				
7-2	060054-0432	Plastic Cap	2				
7-3	857048-2401	Gasket (Passenger)	1				
7-4	857059-0020	Cap Screw	2				
7-5	857056-0040	3mm Hex Nut	2				
7-6	857174-0020	Lock Washer	2				
7-7	949007-5680	Set Screw w/Washer	4				
7-8	060029-0060	Back Plate	2				
8	160050-7410	Arm Assembly (Driver, Includes 8-1, 8-2, 7-2, 7-4 thru 7-8)	1				
8-1	060062-0100	Arm Base (Driver)	1				
8-2	857048-2410	Gasket (Driver)	1				
9	LA160100-8780	Blade Assembly (Includes 9-1)	2				
9-1	LA060112-3650	Rubber Blade	2				
10	LA91120-00108	Hex Bolt (Black)	2				
11	91510-06141	Bolt w/Washer	3				



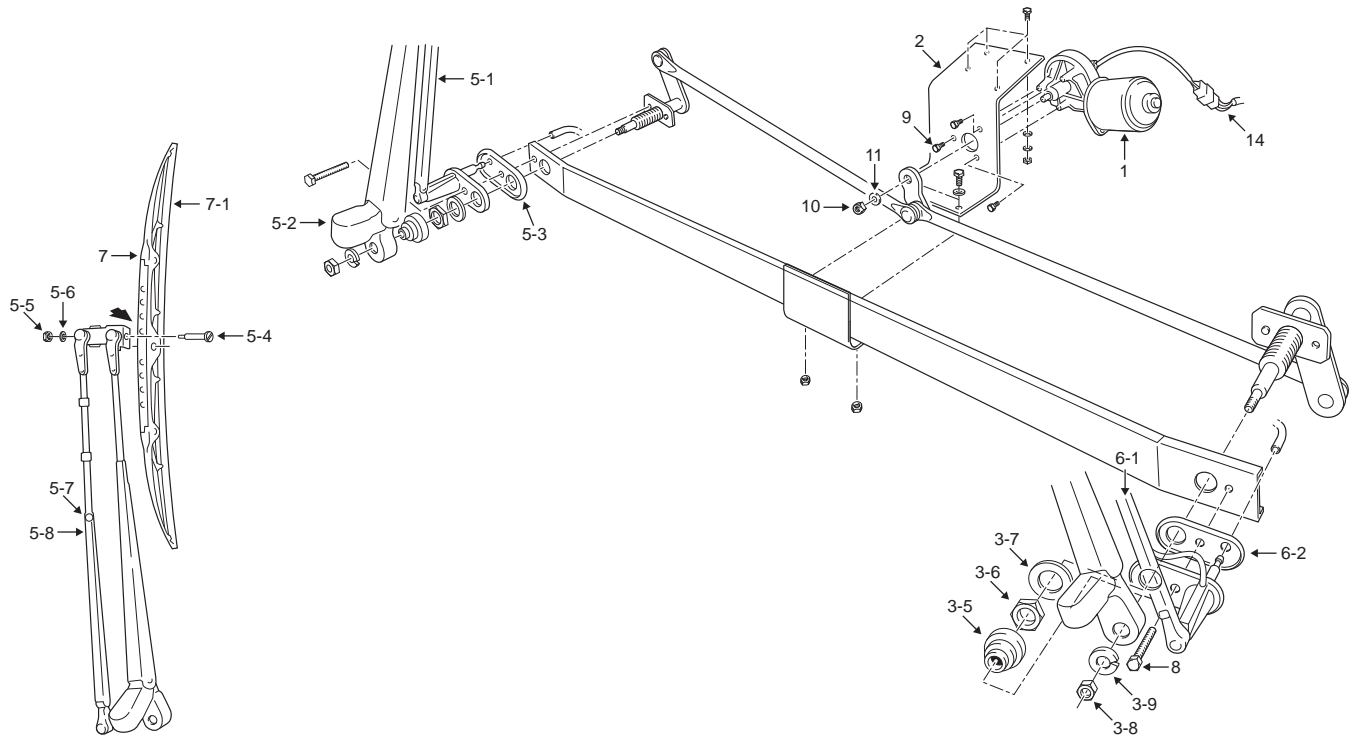
ITEM NO.	PART NO.	DESCRIPTION	QTY/UNIT
1	159100-3220	Wiper Motor	1
2-1	159827-4160	Tie Rod	1
2-2	159827-4150	Tie Rod	1
2-3	159950-1000	Pivot (Driver Side)	1
2-4	159960-9310	Pivot (Passenger Side)	1
2-5	859434-3990	Crank Arm	1
2-6	059901-1140	Rubber Cap	2
2-7	949050-4160	20mm Hex Nut	2
2-10	912601-0061	10mm Hex Nut	2
2-11	902581-0001	Lock Washer	2
3	LA146499-221A	Wiper Motor Bracket	1
5	LA146499-224A	Wiper Stay B	1
6	460050-3340	Arm Assembly (Driver, Includes 6-1)	2
6-1	857044-1052	Plastic Cap	2
7	LA847210-0840	Blade Assembly (Includes 7-1)	2
7-1	LA060150-0150	Rubber Blade w/Backing	2
8	949007-2540	Screw w/Washer	4
9	160050-7510	Arm Assembly (Passenger Includes 6-1)	2
10	91510-06141	Bolt w/Washer	3
11	90196-08651	Nut	1
12	902580-8001	Lock Washer	1
13	LA146499-1958	Bolt Lock	1
14	LA146305-0450	Bulkhead Fitting	2
	060090-0070	Service Kit, Water Nozzle Parts (See Page 1)	
	060800-0550	Windshield Washer Kit (See Page 1)	

National RV Tropi-cal (1996 - 2007)



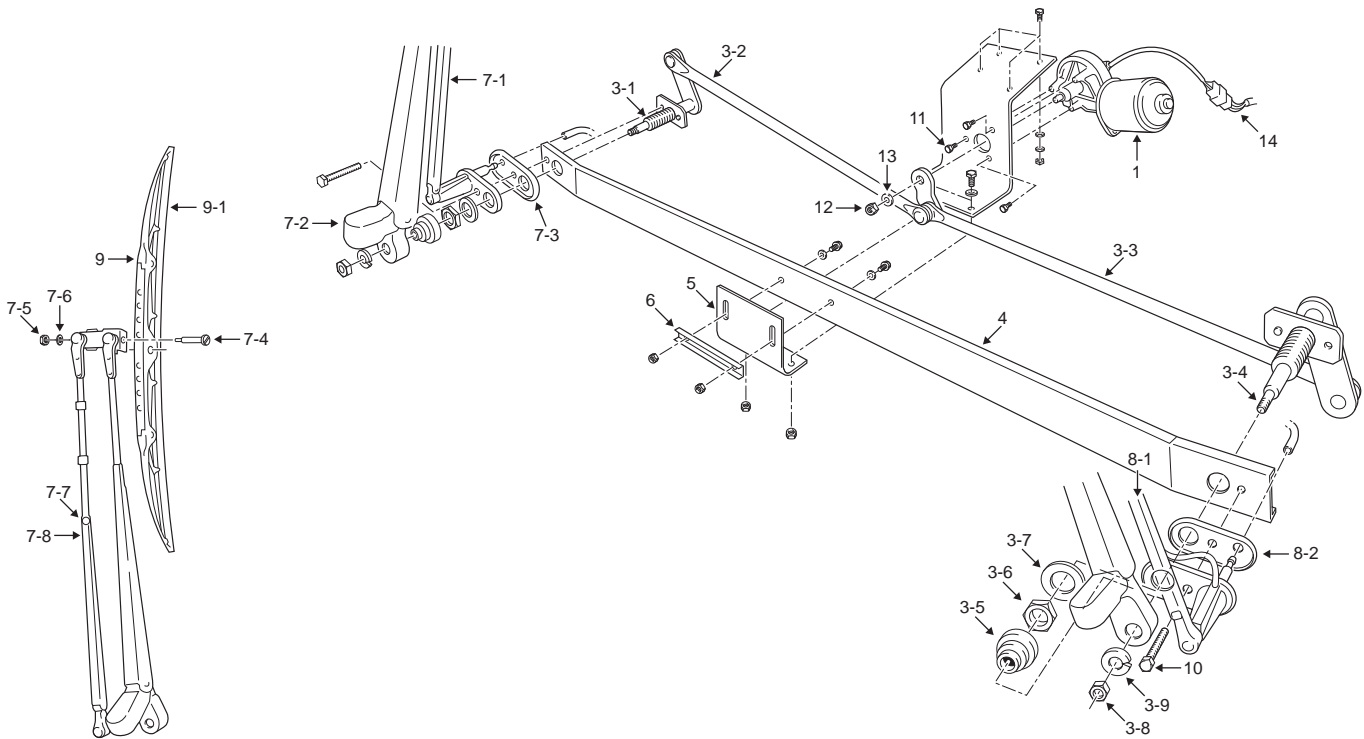
ITEM NO.	PART NO.	DESCRIPTION	QTY/UNIT	ITEM NO.	PART NO.	DESCRIPTION	QTY/UNIT
1	159100-3220	Wiper Motor for Ford/Diesel Chassis only	1	9-1	LA060112-3650	Rubber Blade	2
	159100-7520	Wiper Motor for GM/Workhorse Chassis only	1	10	LA91120-00108	Hex Bolt (Black)	2
2	LA146499-2000	Wiper Motor Bracket	1	11	91510-06141	Bolt w/Washer	3
3	059800-9850	Link Assembly (Includes 3-1 thru 3-9)	1	12	90196-08651	Nut	1
3-1	159960-3760	Pivot (Passenger)	1	13	902580-8001	Lock Washer	1
3-2	059828-6710	Tie Rod (Passenger)	1	14	LA246440-5780	Wiring Adapter for Ford/Diesel Chassis only	1
3-3	059840-0250	Tie Rod w/Crank Arm (Driver)	1		LA246450-4170	Wiring Adapter for GM/Workhorse Chassis only	1
3-4	159960-3770	Pivot (Driver)	1	060090-0010		Service Kit, Passenger Arm Hardware (Includes 7-3 thru 7-6)	
3-5	059901-1140	Rubber Cap	2	060090-0030		Service Kit, Water Nozzle Parts (See Page 1)	
3-6	949050-4160	20mm Hex Nut	2	160200-5160		Windshield Washer Kit (See Page 1)	
3-7	949011-7750	20mm Washer	2	550597-9020		Variable Intermittent Wiper Switch for Ford/Diesel Chassis only (See Page 2)	
3-8	912601-0061	10mm Hex Nut	2				
3-9	902581-0001	Lock Washer	2				
4	LA146499-2010	Wiper Stay A	1				
5	LA146499-1930	Wiper Stay B	1				
6	LA146499-1958	Bolt Lock	1				
7	460010-2590	Arm Assembly (Passenger, Includes 7-1 thru 7-8)	1				
7-1	060062-0090	Arm Base (Passenger)	1				
7-2	060054-0432	Plastic Cap	2				
7-3	857048-2401	Gasket (Passenger)	1				
7-4	857059-0020	Cap Screw	2				
7-5	857056-0040	3mm Hex Nut	2				
7-6	857174-0020	Lock Washer	2				
7-7	949007-5680	Set Screw w/Washer	4				
7-8	060029-0060	Back Plate	2				
8	160050-7410	Arm Assembly (Driver, Includes 8-1, 8-2, 7-2, 7-4 thru 7-8)	1				
8-1	060062-0100	Arm Base (Driver)	1				
8-2	857048-2410	Gasket (Driver)	1				
9	LA160100-8780	Blade Assembly (Includes 9-1)	2				

National RV Tropi-cal (1992 - 1995)



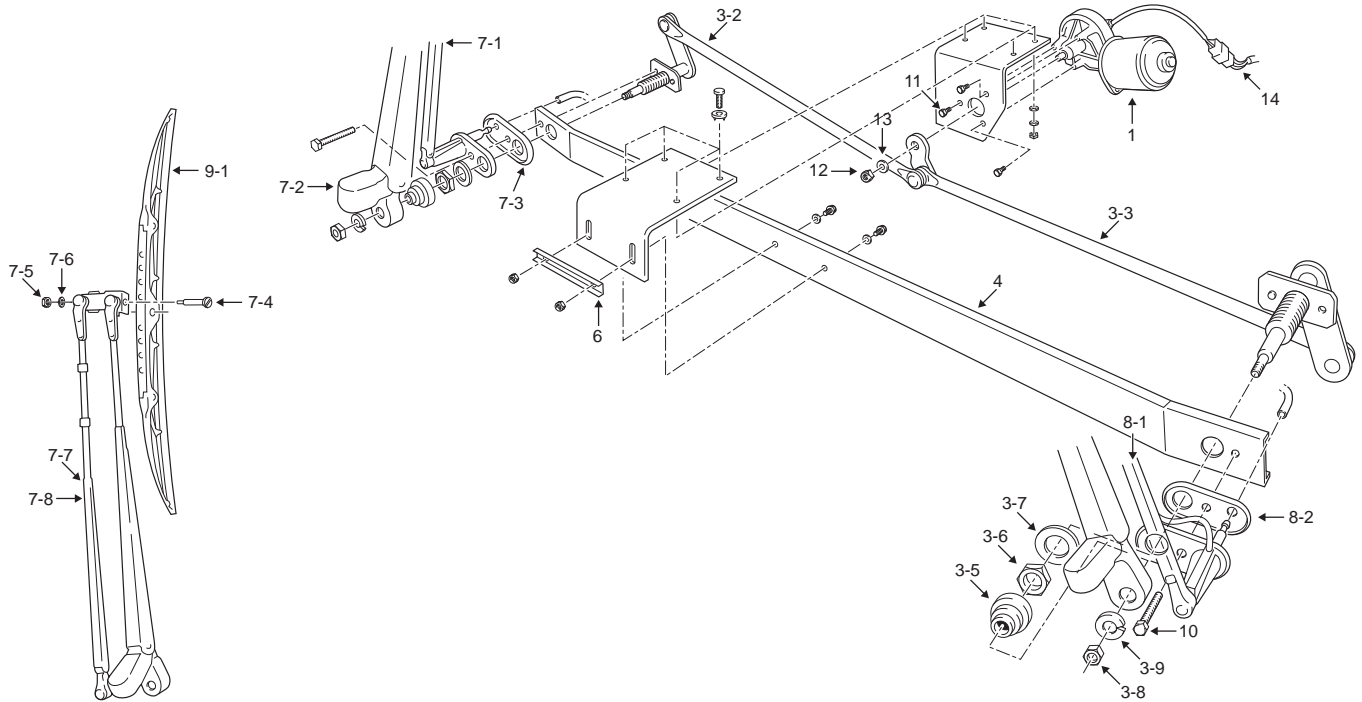
ITEM NO.	PART NO.	DESCRIPTION	QTY/UNIT	ITEM NO.	PART NO.	DESCRIPTION	QTY/UNIT
1	159100-3220 159100-7520	Wiper Motor for Ford Chassis only . Wiper Motor for GM Chassis only	1 1	14	LA246440-5780	Wiring Adapter for Ford Chassis only	1
2	000000-1010	Wiper Motor Bracket	1		LA246440-2060	Wiring Adapter for GM Chassis only (thru mid 1994)	1
3	159800-0480	Link Assembly (Includes 3-1 thru 3-9)	1		LA246450-4170	Wiring Adapter for GM Chassis only (mid 1994 - 1995)	1
3-5	059901-1140	Rubber Cap	2		060090-0010	Service Kit, Passenger Arm Hardware (Includes 5-3 thru 5-6)	
3-6	949050-4160	20mm Hex Nut	2		060090-0030	Service Kit, Water Nozzle Parts (See Page 1)	
3-7	949011-7750	20mm Washer	2		550597-9010	Variable Intermittent Wiper Switch (See Page 2)	
3-8	912601-0061	10mm Hex Nut	2				
3-9	902581-0001	Lock Washer	2				
5	160010-9921	Arm Assembly (Passenger, Includes 5-1 thru 5-8)	1				
5-1	060062-0090	Arm Base (Passenger)	1				
5-2	060054-0432	Plastic Cap	2				
5-3	857048-2401	Gasket (Passenger)	1				
5-4	857059-0020	Cap Screw	2				
5-5	857056-0040	3mm Hex Nut	2				
5-6	857174-0020	Lock Washer	2				
5-7	949007-5680	Set Screw w/Washer	4				
5-8	060029-0060	Back Plate	2				
6	160050-5801	Arm Assembly (Driver, Includes 6-1, 6-2, 5-2, 5-4 thru 5-8)	1				
6-1	060062-0100	Arm Base (Driver)	1				
6-2	857048-2410	Gasket (Driver)	1				
7	LA160100-7670	Blade Assembly (Includes 7-1)	2				
7-1	LA060150-0010	Rubber Blade w/Backing	2				
8	LA91120-00108	Hex Bolt (Black)	2				
9	91510-06141	Bolt w/Washer	3				
10	90196-08651	Nut	1				
11	902580-8001	Lock Washer	1				

Tiffin Allegro (1993 - 2006)



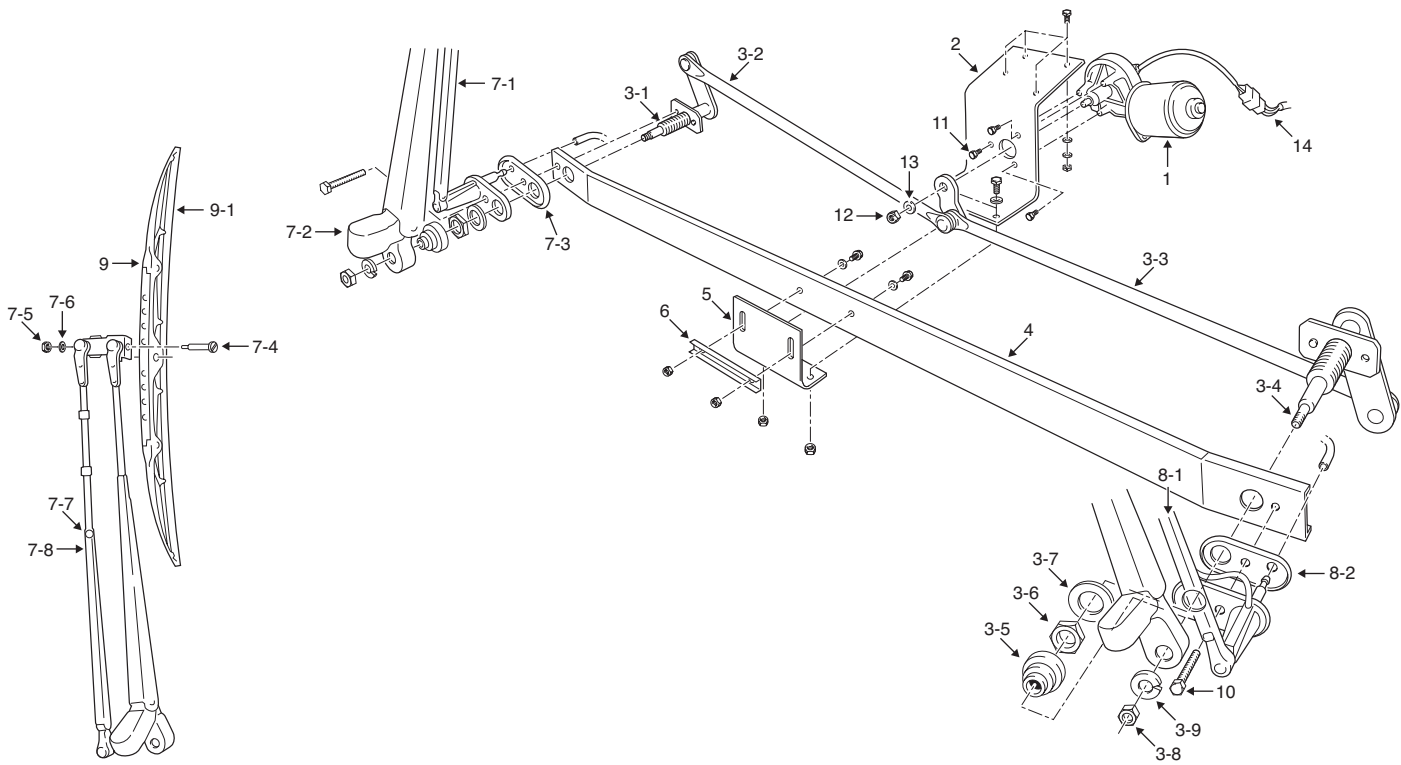
ITEM NO.	PART NO.	DESCRIPTION	QTY/UNIT	ITEM NO.	PART NO.	DESCRIPTION	QTY/UNIT
1	159100-3220	Wiper Motor for Ford and Workhorse W22 Chassis only	1	10	LA91120-00108	Hex Bolt (Black)	2
	159100-7520	Wiper Motor for GM Chassis only (1993 - 2000)	1	11	91510-06141	Bolt w/Washer	3
3	059800-9800	Link Assembly (Includes 3-1 thru 3-9)	1	12	90196-08651	Nut	1
3-1	159960-3760	Pivot (Passenger)	1	13	902580-8001	Lock Washer	1
3-2	059828-6670	Tie Rod (Passenger)	1	14	LA246440-2060	Wiring Adapter	1
3-3	059840-0300	Tie Rod, w/Crank Arm (Driver)	1		LA246440-5780	Wiring Adapter for Ford Chassis only	1
3-4	159960-3770	Pivot (Driver)	1		LA246440-2060	Wiring Adapter for GM Chassis only (thru mid 1994)	1
3-5	059901-1140	Rubber Cap	2		LA246450-4170	Wiring Adapter for GM/Workhorse Chassis only (mid 1994 - 2006)	1
3-6	949050-4160	20mm Hex Nut	2		LA246460-399A	Wiring Adapter for Workhorse W22 Chassis only	1
3-7	949011-7750	20mm Washer	2		060090-0010	Service Kit, Passenger Arm Hardware (Includes 5-3 thru 5-6)	
3-8	912601-0061	10mm Hex Nut	2		060090-0030	Service Kit, Water Nozzle Parts (See Page 1)	
3-9	902581-0001	Lock Washer	2				
4	LA146499-0480	Wiper Stay A	1				
5	LA146499-1929	Wiper Stay B	1				
6	LA146499-1958	Bolt Lock	1				
7	160010-9411	Arm Assembly (Passenger, Includes 7-1 thru 7-8)	1				
7-1	060062-0090	Arm Base Passenger)	1				
7-2	060054-0432	Plastic Cap	2				
7-3	857048-2401	Gasket (Passenger)	1				
7-4	857059-0020	Cap Screw	2				
7-5	857056-0040	3mm Hex Nut	2				
7-6	857174-0020	Lock Washer	2				
7-7	949007-5680	Set Screw w/Washer	4				
7-8	060029-0060	Back Plate	2				
8	160050-5461	Arm Assembly (Driver, Includes 8-1, 8-2, 7-2, 7-4 thru 7-8)	1				
8-1	060062-0100	Arm Base (Driver)	1				
8-2	857048-2410	Gasket (Driver)	1				
9	LA160100-7670	Blade Assembly (Includes 9-1)	2				
9-1	LA060150-0010	Rubber Blade w/Backing	2				

Tiffin Allegro Bay (2000 - 2004)



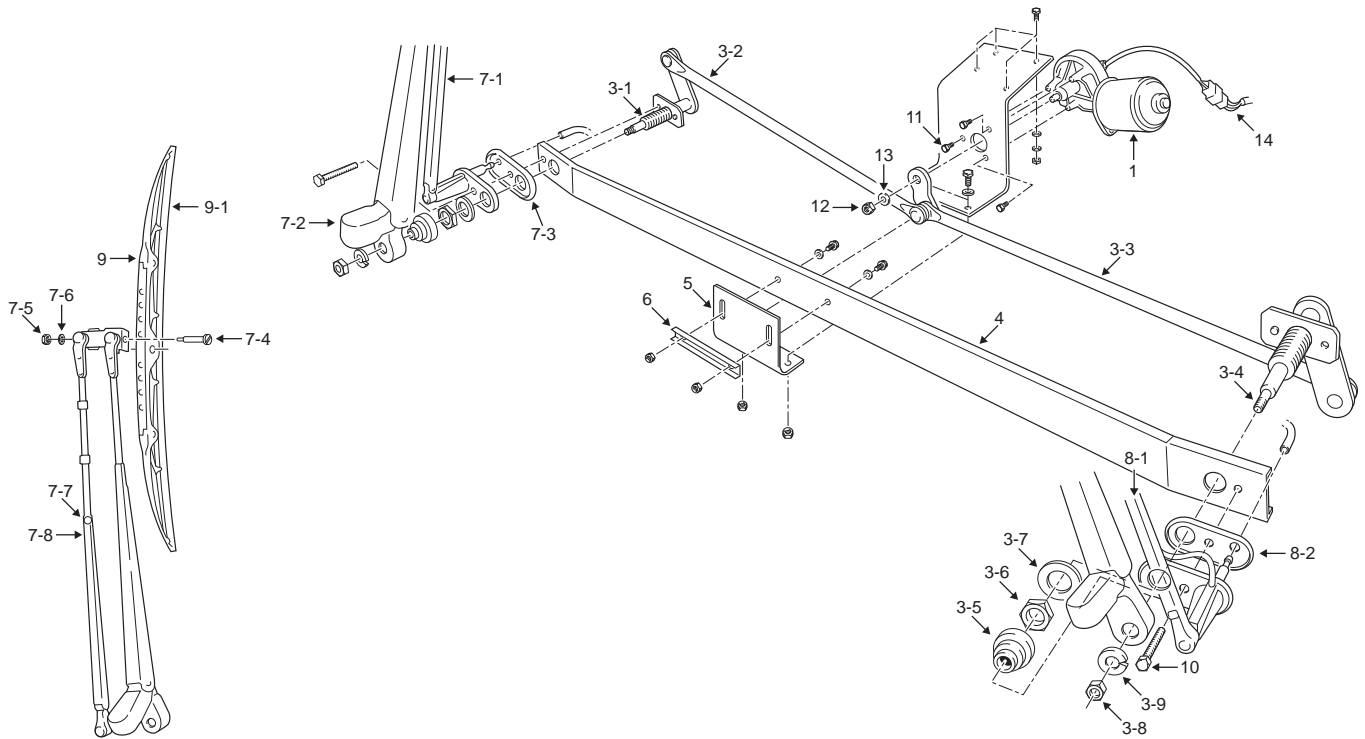
ITEM NO.	PART NO.	DESCRIPTION	QTY/ UNIT	ITEM NO.	PART NO.	DESCRIPTION	QTY/ UNIT
1	159100-3220	Wiper Motor for Ford and Workhorse W22 Chassis only	1				
3	159800-2451	Link Assembly (Includes 3-1 thru 3-9)	1	LA246460-399A		Ford Chassis only	1
3-2	059828-6670	Tie Rod (Passenger)	1			Wiring Adapter for Workhorse W22 Chassis only	1
3-3	059840-0260	Tie Rod w/Crank Arm (Driver)	1	060090-0010		Service Kit, Passenger Arm Hardware (Includes 5-3 thru 5-6)	
3-5	059901-1140	Rubber Cap	2	060090-0030		Service Kit, Water Nozzle Parts (See Page 1)	
3-6	949050-4160	20mm Hex Nut	2	550597-9010		Variable Intermittent Wiper Switch (See Page 2)	
3-7	949011-7750	20mm Washer	2				
3-8	912601-0061	10mm Hex Nut	2				
3-9	902581-0001	Lock Washer	2				
4	LA146499-0480	Wiper Stay A	1				
6	LA146499-1958	Bolt Lock	1				
7	160010-9921	Arm Assembly (Passenger, Includes 7-1 thru 7-8)	1				
7-1	060062-0090	Arm Base (Passenger)	1				
7-2	060054-0432	Plastic Cap	2				
7-3	857048-2401	Gasket (Passenger)	1				
7-4	857059-0020	Cap Screw	2				
7-5	857056-0040	3mm Hex Nut	2				
7-6	857174-0020	Lock Washer	2				
7-7	949007-5680	Set Screw w/Washer	4				
7-8	060029-0060	Back Plate	2				
8	160050-5801	Arm Assembly (Driver, Includes 8-1 and 8-2, 7-2, 7-4 thru 7-8)	1				
8-1	060062-0100	Arm Base (Driver)	1				
8-2	857048-2410	Gasket (Driver)	1				
9	LA160100-7670	Blade Assembly (Includes 9-1)	2				
9-1	LA060150-0010	Rubber Blade w/Backing	2				
10	LA91120-00108	Hex Bolt (Black)	2				
11	91510-06141	Bolt w/Washer	3				
12	90196-08651	Nut	1				
13	902580-8001	Lock Washer	1				
14	LA246440-5780	Wiring Adapter for					

Tiffin Allegro Bay (1990 - 1999)



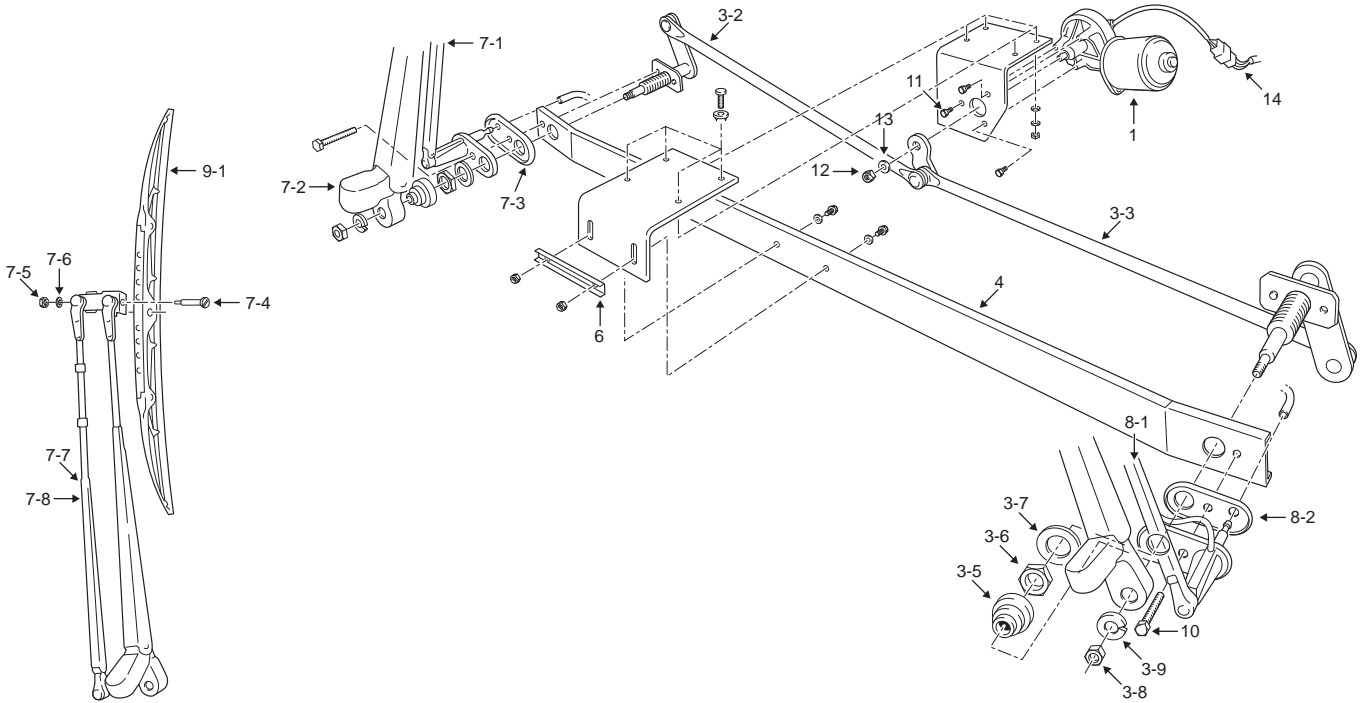
ITEM NO.	PART NO.	DESCRIPTION	QTY/UNIT	ITEM NO.	PART NO.	DESCRIPTION	QTY/UNIT
1	159100-3220	Wiper Motor for Ford Chassis only	1	9-1	LA060150-0010	Rubber Blade w/Backing	2
	159100-7520	Wiper Motor for GM/Workhorse Chassis only	1	10	LA91120-00108	Hex Bolt (Black)	2
2	000000-1010	Wiper Motor Bracket	1	11	91510-06141	Bolt w/Washer	3
3	059800-9800	Link Assembly (Includes 3-1 thru 3-9)	1	12	90196-08651	Nut	1
3-1	159960-3760	Pivot (Passenger)	1	13	902580-8001	Lock Washer	1
3-2	059828-6670	Tie Rod (Passenger)	1	14	LA246440-5780	Wiring Adapter for Ford Chassis only	1
3-3	059840-0300	Tie Rod w/Crank Arm (Driver)	1		LA246440-2060	Wiring Adapter for GM Chassis only (thru mid 1994)	1
3-4	159960-3770	Pivot (Driver)	1		LA246450-4170	Wiring Adapter for GM/Workhorse Chassis only (mid 1994 - 1999)	1
3-5	059901-1140	Rubber Cap	2		060090-0010	Service Kit, Passenger Arm Hardware (Includes 5-3 thru 5-6)	
3-6	949050-4160	20mm Hex Nut	2		060090-0030	Service Kit, Water Nozzle Parts (See Page 1)	
3-7	949011-7750	20mm Washer	2		550597-9010	Variable Intermittent Wiper Switch (See Page 2)	
3-8	912601-0061	10mm Hex Nut	2				
3-9	902581-0001	Lock Washer	2				
4	LA146499-0480	Wiper Stay A	1				
5	LA146499-1929	Wiper Stay B	1				
6	LA146499-1958	Bolt Lock	1				
7	160010-9411	Arm Assembly (Passenger, Includes 7-1 thru 7-8)	1				
7-1	060062-0090	Arm Base (Passenger)	1				
7-2	060054-0432	Plastic Cap	2				
7-3	857048-2401	Gasket (Passenger)	1				
7-4	857059-0020	Cap Screw	2				
7-5	857056-0040	3mm Hex Nut	2				
7-6	857174-0020	Lock Washer	2				
7-7	949007-5680	Set Screw w/Washer	4				
7-8	060029-0060	Back Plate	2				
8	160050-5461	Arm Assembly (Driver, Includes 8-1, 8-2, 7-2, 7-4 thru 7-8)	1				
8-1	060062-0100	Arm Base (Driver)	1				
8-2	857048-2410	Gasket (Driver)	1				
9	LA160100-7670	Blade Assembly (Includes 9-1)	2				

Tiffin Allegro Bus (1993 - 2003)



ITEM NO.	PART NO.	DESCRIPTION	QTY/ UNIT	ITEM NO.	PART NO.	DESCRIPTION	QTY/ UNIT
1	159100-3220	Wiper Motor for Ford Chassis/Diesel only	1	10	LA91120-00108	Hex Bolt (Black)	2
	159100-7520	Wiper Motor for GM Chassis only (1993 - 2000)	1	11	91510-06141	Bolt w/Washer	3
3	059800-9800	Link Assembly (Includes 3-1 thru 3-9)	1	12	90196-08651	Nut	1
3-1	159960-3760	Pivot (Passenger)	1	13	902580-8001	Lock Washer	1
3-2	059828-6670	Tie Rod (Passenger)	1	14	LA246440-5780	Wiring Adapter for Ford Chassis/Diesel only	1
3-3	059840-0300	Tie Rod, w/Crank Arm (Driver)	1		LA246440-2060	Wiring Adapter for GM Chassis only (thru mid 1994)	1
3-4	159960-3770	Pivot (Driver)	1		LA246450-4170	Wiring Adapter for GM/Workhorse Chassis only (mid 1994 - 2003)	1
3-5	059901-1140	Rubber Cap	2		060090-0010	Service Kit, Passenger Arm Hardware (Includes 5-3 thru 5-6)	
3-6	949050-4160	20mm Hex Nut	2		060090-0030	Service Kit, Water Nozzle Parts (See Page 1)	
3-7	949011-7750	20mm Washer	2		550597-9010	Variable Intermittent Wiper Switch for Ford/Diesel Chassis only. (See Page 2)	
3-8	912601-0061	10mm Hex Nut	2				
3-9	902581-0001	Lock Washer	2				
4	LA146499-0480	Wiper Stay A	1				
5	LA146499-1929	Wiper Stay B	1				
6	LA146499-1958	Bolt Lock	1				
7	160010-9411	Arm Assembly (Passenger, Includes 7-1 thru 7-8)	1				
7-1	060062-0090	Arm Base (Passenger)	1				
7-2	060054-0432	Plastic Cap	2				
7-3	857048-2401	Gasket (Passenger)	1				
7-4	857059-0020	Cap Screw	2				
7-5	857056-0040	3mm Hex Nut	2				
7-6	857174-0020	Lock Washer	2				
7-7	949007-5680	Set Screw w/Washer	4				
7-8	060029-0060	Back Plate	2				
8	160050-5461	Arm Assembly (Driver, Includes 8-1, 8-2, 7-2, 7-4 thru 7-8)	1				
8-1	060062-0100	Arm Base (Driver)	1				
8-2	857048-2410	Gasket (Driver)	1				
9	LA160100-7670	Blade Assembly (Includes 9-1)	2				
9-1	LA060150-0010	Rubber Blade w/Backing	2				

Tiffin Phaeton (2001 - 2004)



ITEM NO.	PART NO.	DESCRIPTION	QTY/UNIT	ITEM NO.	PART NO.	DESCRIPTION	QTY/UNIT
1	159100-3220	Wiper Motor for Diesel	1	060090-0010	Service Kit, Passenger Arm Hardware (Includes 5-3 thru 5-6)		
3	159800-2451	Link Assembly (Includes 3-1 thru 3-9)	1	060090-0030	Service Kit, Water Nozzle Parts (See Page 1)		
3-2	059828-6670	Tie Rod (Passenger)	1	550597-9010	Variable Intermittent Wiper Switch (See Page 2)		
3-3	059840-0260	Tie Rod w/Crank Arm (Driver)	1				
3-5	059901-1140	Rubber Cap	2				
3-6	949050-4160	20mm Hex Nut	2				
3-7	949011-7750	20mm Washer	2				
3-8	912601-0061	10mm Hex Nut	2				
3-9	902581-0001	Lock Washer	2				
4	LA146499-0480	Wiper Stay A	1				
6	LA146499-1958	Bolt Lock	1				
7	160010-9921	Arm Assembly (Passenger, Includes 7-1 thru 7-8)	1				
7-1	060062-0090	Arm Base (Passenger)	1				
7-2	060054-0432	Plastic Cap	2				
7-3	857048-2401	Gasket (Passenger)	1				
7-4	857059-0020	Cap Screw	2				
7-5	857056-0040	3mm Hex Nut	2				
7-6	857174-0020	Lock Washer	2				
7-7	949007-5680	Set Screw w/Washer	4				
7-8	060029-0060	Back Plate	2				
8	160050-5801	Arm Assembly (Driver, Includes 8-1 and 8-2, 7-2, 7-4 thru 7-8)	1				
8-1	060062-0100	Arm Base (Driver)	1				
8-2	857048-2410	Gasket (Driver)	1				
9	LA160100-7670	Blade Assembly (Includes 9-1)	2				
9-1	LA060150-0010	Rubber Blade w/Backing	2				
10	LA91120-00108	Hex Bolt (Black)	2				
11	91510-06141	Bolt w/Washer	3				
12	90196-08651	Nut	1				
13	902580-8001	Lock Washer	1				
14	LA246440-5780	Wiring Adapter for Diesel	1				

Replacement Blade and Refill Reference Chart

MODEL	BLADE ASSEMBLY	BLADE REFILL ONLY*
Fleetwood American Allegiance (2008 and on)	LA847210-0840	LA060150-0150
Fleetwood American Dream (1994 - 2003) - 650mm (25.6") length	LA160100-7670	LA060150-0010
Fleetwood American Eagle (2004 and on) - 650mm (25.6") length	LA847210-0840	LA060150-0150
Fleetwood American Eagle (1991 - 2003)	LA160100-7670	LA060150-0010
Fleetwood American Flyer (1995)	LA847210-0840	LA060150-0150
Fleetwood American Heritage (2005 and on)	LA847210-0840	LA060150-0150
Fleetwood American Heritage (1999 - 2004)	LA160100-7670	LA060150-0010
Fleetwood American Tradition (2004 and on)	LA847210-0840	LA060150-0150
Fleetwood American Tradition (1996 - 2003)	LA160100-7670	LA060150-0010
Fleetwood Bounder (2006 - 2008)	LA847210-0840	LA060150-0150
Fleetwood Bounder (1992 - 2005)	LA847210-0840	LA060150-0150
Fleetwood Coronado (1992 - 1995) - 563mm (22.2") length	LA160100-8780	LA060112-3650
Fleetwood Discovery (1996 - 2008)	LA847210-0840	LA060150-0150
Fleetwood Excursion (mid 2006 - 2008)	LA847210-0840	LA060150-0150
Fleetwood Excursion (2006 - mid 2006)	LA160100-7670	LA060150-0010
Fleetwood Excursion (2001 - 2005)	LA847210-0840	LA060150-0150
Fleetwood Expedition (2001 and on)	LA847210-0840	LA060150-0150
Fleetwood Fiesta (2006 and on)	LA847210-0840	LA060150-0150
Fleetwood Fiesta (2001 - 2005)	LA160100-7670	LA060150-0010
Fleetwood Flair (1992 - 2008)	LA847210-0840	LA060150-0150
Fleetwood Limited (1988 - 1991)	LA160100-7670	LA060150-0010
Fleetwood Pace Arrow (1996 - 2008)	LA160100-7670	LA060150-0010
Fleetwood Pace Arrow (1995)	LA847210-0840	LA060150-0150
Fleetwood Pace Arrow (1988 - 1994)	LA160100-7670	LA060150-0010
Fleetwood Providence (2001 - 2008)	LA847210-0840	LA060150-0150
Fleetwood Revolution (2005 and on)	LA847210-0840	LA060150-0150
Fleetwood Revolution (2001 - 2004)	LA160100-7670	LA060150-0010
Fleetwood Southwind (1997 - 2008)	LA160100-7670	LA060150-0010
Fleetwood Southwind (1992 - 1996)	LA160100-8780	LA060112-3650

* - Refills are packed in boxes of two (2) pieces.

Replacement Blade and Refill Reference Chart

MODEL	BLADE ASSEMBLY	BLADE REFILL ONLY*
Fleetwood Southwind (1988 - 1991)	LA160100-7670	LA060150-0010
Fleetwood Storm (1995 - 2008)	LA847210-0840	LA060150-0150
Fleetwood Terra (2006 and on)	LA847210-0840	LA060150-0150
Fleetwood Terra (2001 - 2005)	LA847210-0840	LA060150-0150
Fleetwood Vision (1996 - 2000)	LA847210-0840	LA060150-0150
Komfort RV Komfort (1988 - 1989)	LA160100-8780	LA060112-3650
National RV Caribbean (2000 - 2002)	LA160100-7670	LA060150-0010
National RV Dolphin (2007 - 2008)	LA847210-0840	LA060150-0150
National RV Dolphin (1996 - 2006)	LA160100-8780	LA060112-3650
National RV Dolphin (1988 - 1995)	LA160100-7670	LA060150-0010
National RV Islander (2006)	LA160100-7670	LA060150-0010
National RV Islander (2000 - 2005)	LA160100-7670	LA060150-0010
National RV Las Brisas (1990)	LA160100-7670	LA060150-0010
National RV Marlin (2001 - 2003)	LA160100-8780	LA060112-3650
National RV Pacifica (2007 - 2008)	LA847210-0840	LA060150-0150
National RV Sea Breeze (1993 - 2007)	LA160100-8780	LA060112-3650
National RV Sea View (1998 - 2003)	LA160100-8780	LA060112-3650
National RV Surfside (2006 - 2008)	460100-7780	060112-5280
National RV Surfside (1999 - 2003)	LA160100-8780	LA060112-3650
National RV Tradewinds (2006 - 2008)	LA160100-7670	LA060150-0010
National RV Tradewinds (1998 - 2005)	LA160100-8780	LA060112-3650
National RV Tropi-cal (2008)	LA847210-0840	LA060150-0150
National RV Tropi-cal (1996 - 2007)	LA160100-8780	LA060112-3650
National RV Tropi-cal (1992 - 1995)	LA160100-7670	LA060150-0010
Tiffin Allegro (1993 - 2006)	LA160100-7670	LA060150-0010
Tiffin Allegro Bay (1990 - 2004)	LA160100-7670	LA060150-0010
Tiffin Allegro Bus (1993 - 2003)	LA160100-7670	LA060150-0010
Tiffin Phaeton (2001 - 2004)	LA160100-7670	LA060150-0010

WIRING DIAGRAMS

**Wiper Motor P/N:
159100-7520**

(5-Pin Connector)

Wire Color Code:
L = Blue
B = Black
Y = Yellow
R = Red

**Wiper Motor P/N:
159100-3220
159100-7370**

(4-Pin Connector)

