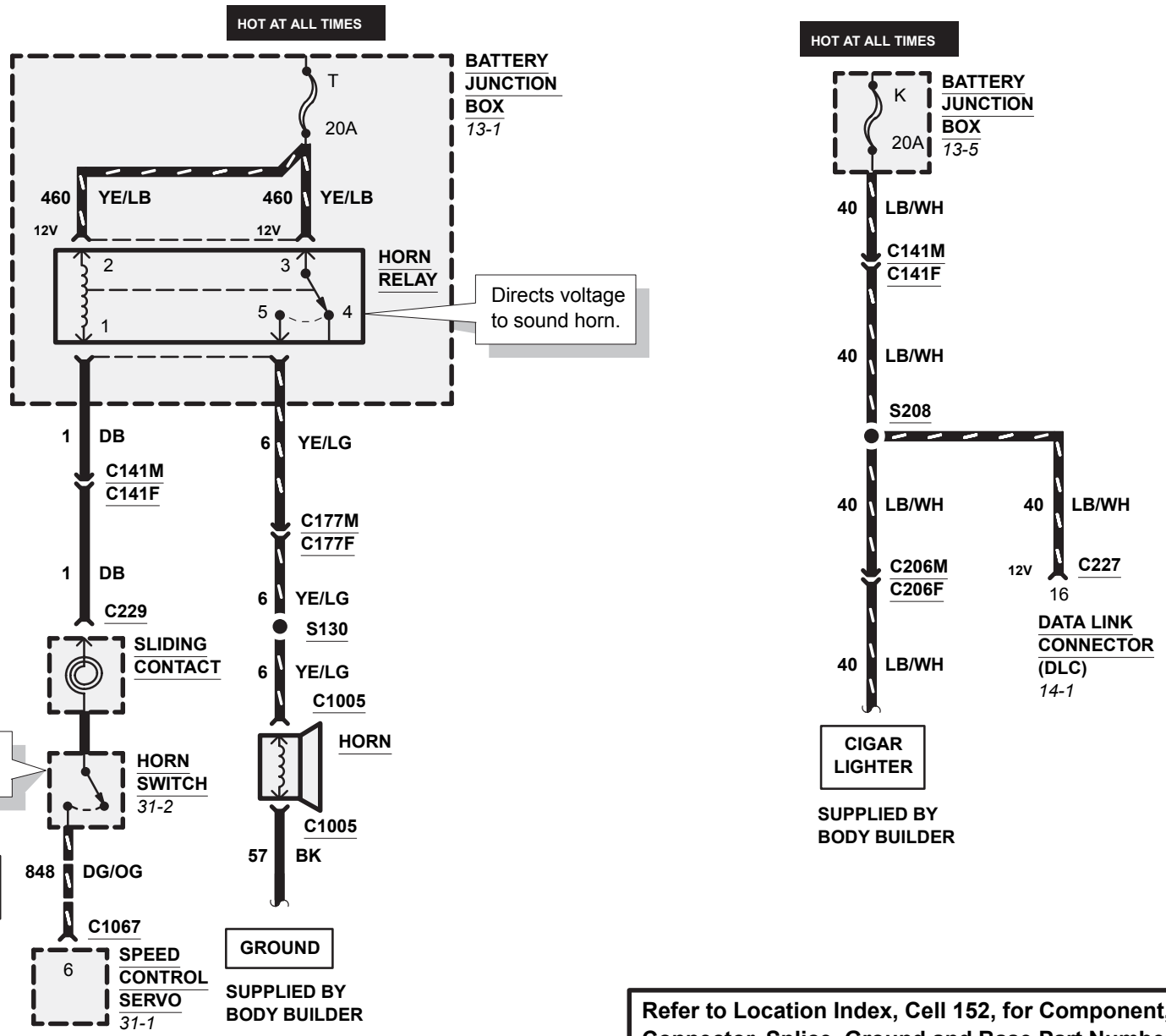


44-1 HORN/CIGAR LIGHTER

2001 F53

For diagnostic information, refer to Section 413-06 of the Workshop Manual.



Refer to Location Index, Cell 152, for Component, Connector, Splice, Ground and Base Part Number descriptions and locations.