

FORD:

1999-2004 Super Duty F-53 Stripped Chas.

This article supersedes TSB **02-09-09** to update the Service Procedure and affected model years.

ISSUE

Some 1999-2004 F-53 Stripped Chassis vehicles equipped with a 6.8L engine, may ingest water into the air filter while driving in the rain. This can cause loss of power and/or engine stumble.

ACTION

Replace the air cleaner inlet tube with a revised tube and strap. Refer to the following Service Procedure.

SERVICE PROCEDURE

1. Remove and discard existing shield. 2002-2004 model year vehicles are equipped with a long shield (Figure 1) and 1999-2001 model year vehicles are equipped with a short shield (Figure 2).

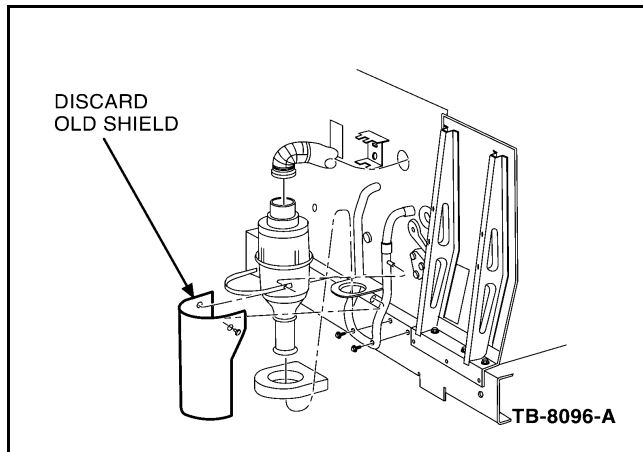


Figure 1 - Article 04-24-22

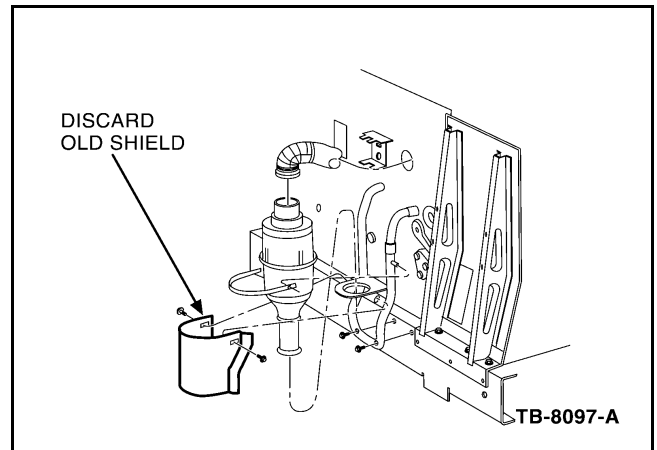


Figure 2 - Article 04-24-22

2. Remove and discard the existing air inlet tube. To remove, grasp the air inlet tube at the bottom of the air cleaner assembly and pull downward.
3. Remove and discard existing retention strap.
4. Install revised air inlet tube into the bottom of the air cleaner assembly and secure with revised strap (Figure 3).

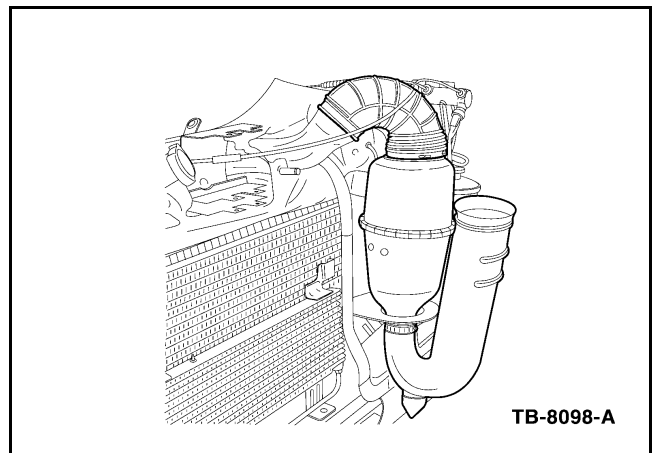


Figure 3 - Article 04-24-22

NOTE: The information in Technical Service Bulletins is intended for use by trained, professional technicians with the knowledge, tools, and equipment to do the job properly and safely. It informs these technicians of conditions that may occur on some vehicles, or provides information that could assist in proper vehicle service. The procedures should not be performed by "do-it-yourselfers". Do not assume that a condition described affects your car or truck. Contact a Ford, Lincoln, or Mercury dealership to determine whether the Bulletin applies to your vehicle. Warranty Policy and Extended Service Plan documentation determine Warranty and/or Extended Service Plan coverage unless stated otherwise in the TSB article. The information in this Technical Service Bulletin (TSB) was current at the time of printing. Ford Motor Company reserves the right to supersede this information with updates. The most recent information is available through Ford Motor Company's on-line technical resources.

TSB 04-24-22 (Continued)

PART NUMBER	PART NAME
XC3Z-9F843-AA	Air Intake
XC3Z-9E618-AA	Strap

NOTE

WARRANTY COVERAGE DOES NOT EXTEND TO THE DIESEL ENGINE COVERAGE OF 5/100. CAUSAL PART IS COVERED UNDER BUMPER-TO-BUMPER ONLY.

WARRANTY STATUS: Eligible Under Provisions Of New Vehicle Limited Warranty Coverage

DEALER CODING

BASIC PART NO.
9F843

CONDITION
CODE
42