

# POWER GEAR LEVELING SYSTEM JACK IDENTIFICATION

1. Visually match the jack to the pictures on the chart. Use visual cues (number of mounting holes, type of footpad, etc.) to identify.
2. Once you have found a visual match, take the required measurements as shown for that jack assembly. **A fraction to decimal conversion chart is below for your reference.**
3. If you know what name (Power Gear, Kwikkee, or Dewald) is on the touch pad for the leveling system, this can help you narrow down what type of jack you have.

Fraction	Decimal
1/16	.0625
1/8	.125
3/16	.187
1/4	.25
5/16	.312
3/8	.375
7/16	.437
1/2	.50
9/16	.562
5/8	.625
11/16	.687
3/4	.75
13/16	.812
7/8	.875
15/16	.9375

## Note:

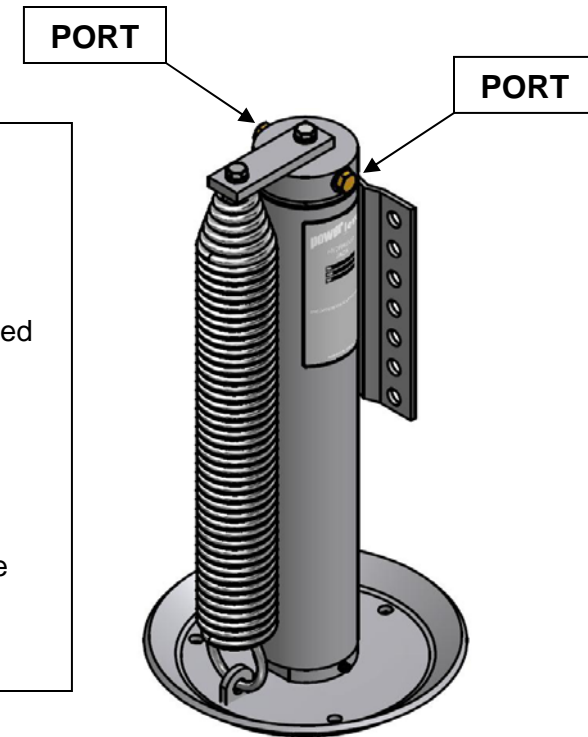
Port sizes are referenced for spring return jacks on Page 2 of this document.

There have been two different port sizes used on these jacks:

**#4 port. #4 thread size is 7/16"**

**#6 port. #6 thread size is 9/16"**

Port size is one more dimension that can be used to determine what jack assembly you have.



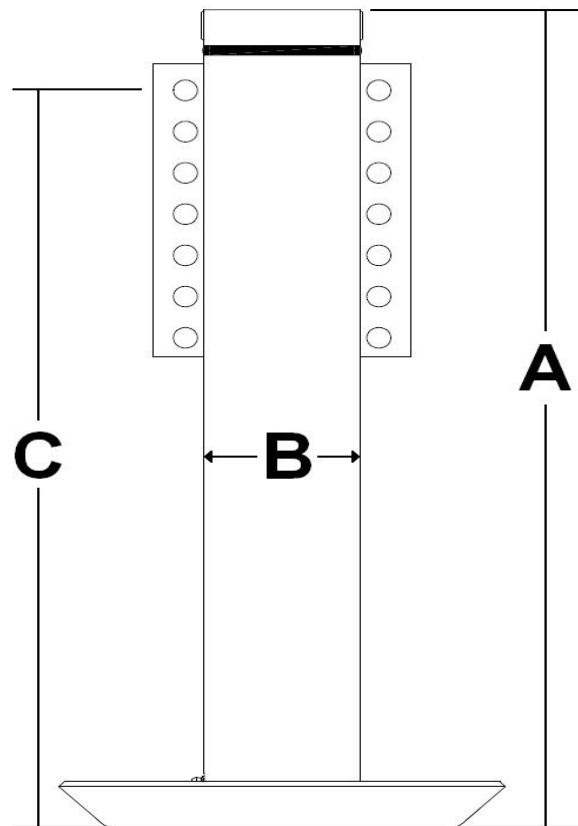
## POWER GEAR JACK ASSEMBLIES

### INTERNAL SPRING JACK ASSEMBLIES

Cap.	Leveling jack #	* Jack obsolete use #	Dimensions (in inches)			Seal kit #	Spring #	Notes
24K	500386T		A=22.37	B=4.5	C=20.09	800130S **	N/A	
24K	500620		A=22.375	B=4.5	C=22.37	800130S **	N/A	has mounting pad width of 7.25
16K	501136		A=22.37	B=4.0	C=13.25	800131S **	N/A	4 bolt mounting pattern
16K	501137		A=22.37	B=4.0	C=18.94	800131S **	N/A	4 bolt mounting pattern
24K	500386 *	500386T	A=22.37	B=4.5	C=20.09	800130S **	N/A	
16k	501298		A=22.37	B=4.0	C=13.25	800131S **	N/A	4 bolt mounting pattern/has 8" Shoe instead of the typical 10"
16k	501299		A=22.37	B=4.0	C=18.94	800131S **	N/A	4 bolt mounting pattern/has 8" Shoe instead of the typical 10"
12K	500385TH		A=22.3	B=3.63	C=20.11	800137S **	N/A	
12K	500385 *	500385TH	A=22.25	B=3.625	C=20.11	800137S **	N/A	
16K	500070 *	500070TH	A=22.25	B=4.0	C=21.42	800131S **	N/A	
16K	500070TH		A=22.37	B=4.0	C=20.09	800131S **	N/A	
16K	500145		A=22.25	B=4.0	C=21.42	800131S **	N/A	

N/A (Not Available) - Internal springs are not a service item

Measurements A and C are taken with jack completely retracted



Spring return jacks will only have one hydraulic hose attached to one of the two ports on top of jack



\*\* Information regarding seal kit replacement can be found in the seal kit manual number 82-L0352



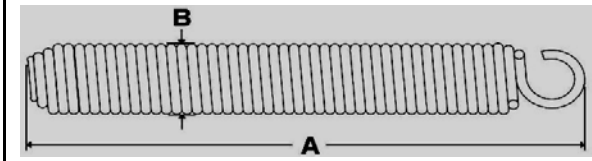
**EXTERNAL SPRING JACK ASSEMBLIES**

Cap.	Leveling jack #	*Jack obsolete use #	Dimensions (in inches)				Port Size	Seal kit #	Spring #	Notes
6K	500384*	501022	A=21.25	B=2.625	C=17.61	D=19.08	#6	No Kit	500590	501022 kit contains qty 1 500384HR jack and qty 2 hose adapter fittings
6K	500384H*	501022	A=21.25	B=2.625	C=17.61	D=19.08	#6	800132S **	500590	501022 kit contains qty 1 500384HR jack and qty 2 hose adapter fittings
6K	500598*	501022	A=21.25	B=2.625	C=18.17	D=19.08	#6	No Kit	500590	501022 kit contains qty 1 500384HR jack and qty 2 hose adapter fittings
6K	500384HR		A=20.85	B=2.625	C=17.61	D=19.59	#4	800132S **	500590	
9K	500082*	500146	A=20.75	B=3.25	C=17.38	D=18.71	#6	800129S **	500094	500146 kit contains qty 1 500082HR jack and qty 2 hose adapter fittings
9K	500082H*	500146	A=20.75	B=3.25	C=17.38	D=18.71	#6	800129S **	500094	500146 kit contains qty 1 500082HR jack and qty 2 hose adapter fittings
9K	500082HR		A=20.33	B=3.25	C=17.38	D=19.21	#4	800129S **	500094	
9K	500272*	obsolete	A=20.75	B=3.25	C=17.82	D=18.83	#6	800129S **	500094	
9K	500759		A=20.40	B=2.6	C=17.6	D=19.08	#4	800138S **	500094	
12K	501315		A=20.33	B=3.25	C=17.19	D=19.33	#6	800199S **	500094	
12K	500800		A=20.40	B=3.25	C=17.25	D=19.21	#4	800199S **	500094	
6K	500730		A=19.15	B=2.25	C=16.43	D=8.0	#4	800133S **	500591	
9K	500235*	500235H	A=18.25	B=3.25	C=17.38	D=15.83	#6	800129S **	500252	
9K	500235H		A=18.19	B=3.25	C=17.38	D=15.83	#6	800129S **	500252	
6K	500600*	500482H	A=18.0	B=2.625	C=15.63	D=14.73	#6	No Kit	500591	Flat shoe
6K	500482*	500482H	A=18.0	B=2.625	C=15.38	D=14.73	#6	No Kit	500591	
6K	500482H		A=18.0	B=2.625	C=15.38	D=14.73	#6	800132S **	500591	
9K	500498	500498H	A=17.75	B=3.25	C=15.0	D=15.83	#6	800129S **	500252	
9K	500498H		A=17.75	B=3.25	C=15.0	D=15.83	#6	800129S **	500252	

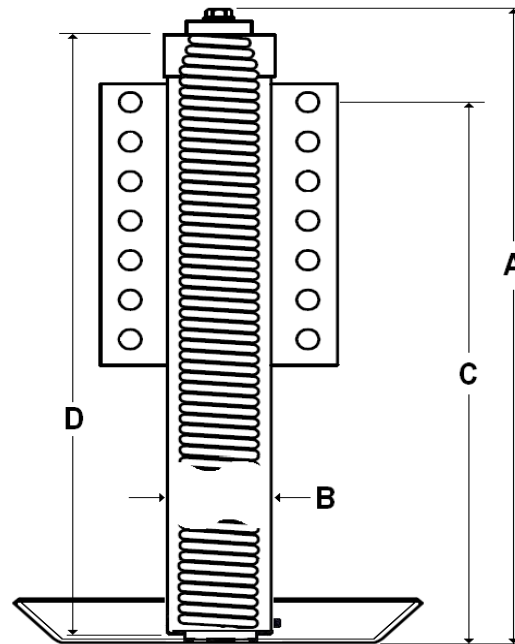
**SPRING REPLACEMENT KITS**

Spring kit #	Meas. of Spring
500094	A=17" x B=2.5"
500252	A=14.55" x B=2.5"
500590	A=17" x B=2.3"
500591	A=14.55" x B=2.3"

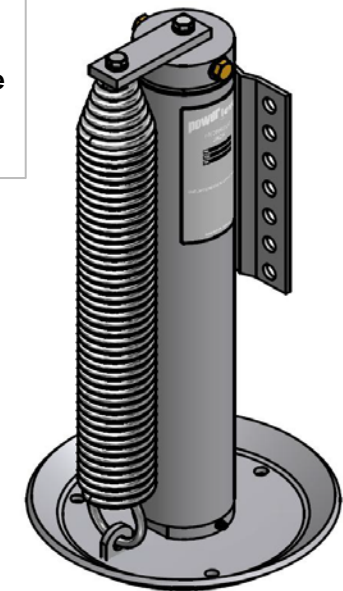
A is overall length and B is outer diameter



**Measurements A and C are taken with jack completely retracted**



**Spring return jacks will only have one hydraulic hose attached to one of the two ports on top of jack**



**\*\* Information regarding seal kit replacement can be found in the seal kit manual number 82-L0352**

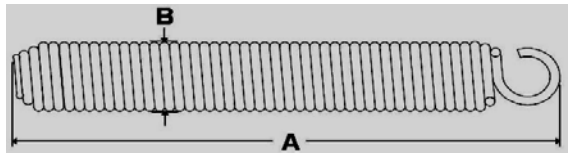


**POWER LEVEL (EXTERNAL SPRING) JACK ASSEMBLIES**

Cap.	Leveling jack #	*Jack obsolete use #	Dimensions (in inches)					Seal kit #	Spring #	Notes
9K	500932		A=25.3	B=2.6	C=24.4	D=14.3	E=5.0	800138S **	500094	
12K	501005		A=24.26	B=3.25	C=23.26	D=16.0	E=5.0	800199S **	500094	
9K	501004*		A=24.25	B=2.625	C=23.25	D=16.0	E=3.4	800138S **	500094	No replacement is available
6K	500832		A=23.25	B=2.25	C=22.3	D=14.31	E=5.0	800133S **	500591	
9K	500833		A=23.15	B=2.6	C=22.2	D=14.3	E=3.0	800138S **	500094	
12K	501106		A=22.56	B=3.25	C=21.70	D=14.31	E=3.0	Not Available	500094	
6K	501173		A=21.44	B=2.25	C=16.81	D=12.3	E=3.2	800133S **	500591	
9K	500843		A=21.15	B=2.6	C=20.2	D=14.3	E=1.0	800138S **	500094	
6K	500842		A=20.4	B=2.25	C=19.5	D=14.3	E=2.5	800133S **	500591	
12K	3510000111		A=20.21	B=19.27	C=20.26	D=14.31	E=1.5	800199S **	500094	
6K	500933		A=19.75	B=2.25	C=17.75	D=12.3	E=1.5	800133S **	500591	
6K	500876		A=18.94	B=2.25	C=17.0	D=12.3	E= .5	800133S **	500591	

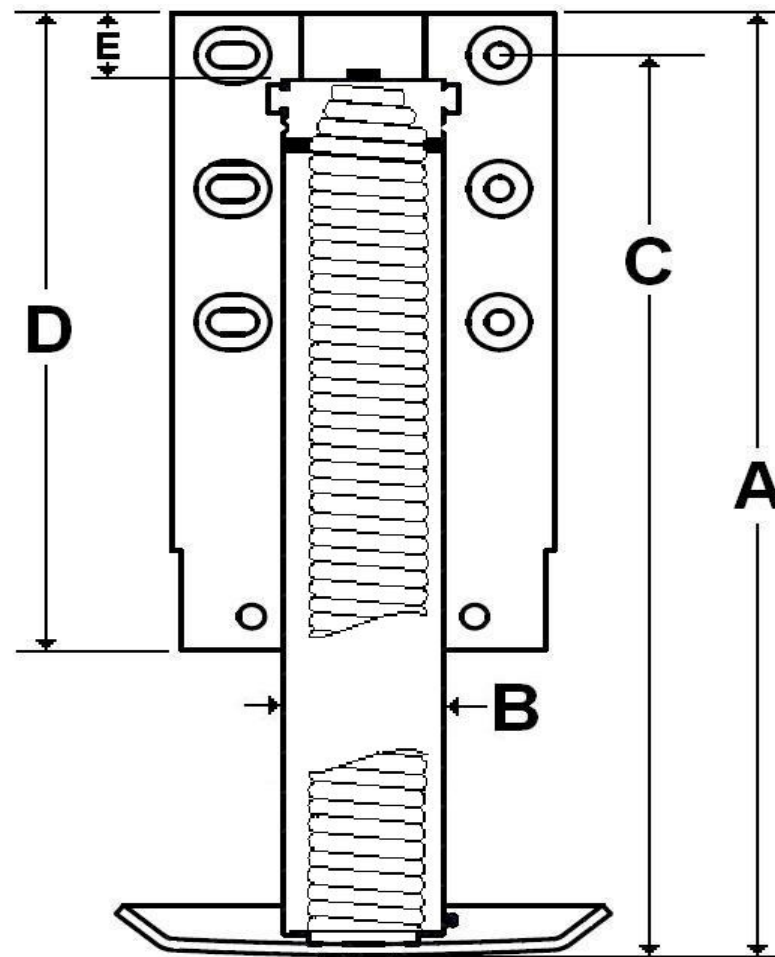
**SPRING REPLACEMENT KITS**

Spring kit #	Meas. of Spring
500094	A=17" x B=2.5"
500252	A=14.55" x B=2.5"
500590	A=17" x B=2.3"
500591	A=14.55" x B=2.3"

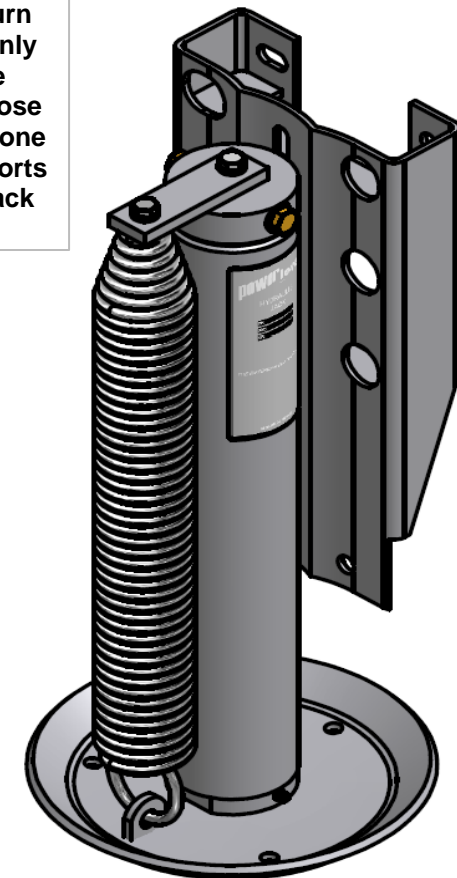


Measurements A, C, D, and E are taken with jack completely retracted

\*\* Information regarding seal kit replacement can be found in the seal kit manual number 82-L0352



Spring return jacks will only have one hydraulic hose attached to one of the two ports on top of jack



**POWER GEAR ELECTRIC LEVELING JACK ASSEMBLIES**

Cap.	Leveling jack assembly #	Description	"A" meas.	motor # (for reference only)	Motor replacement kit **	Notes
9K	101000051	ELEC ASM 9K 15" STROKE	28"	1010001092	1010001019 right	Square shoe
9K	101000140	ELEC ASM 15 22 F SQ 8 NONE YES	28"	1010001092	1010001018 left	Square shoe
12K	101000143	ELEC ASM 13 22 F RD 10 NONE YES	25.5"	1010001093	1010001018 left	Round shoe
12K	101000144	ELEC ASM 13 22 F RD 10 NONE YES	25.5"	1010001093	1010001019 right	Round shoe
9K	501336	ASSY LH SHRT EJ LEG	25.4"	501092	1010001019 right	National RV
9K	501337	ASSY RH SHRT EJ LEG	25.4"	501092	1010001018 left	National RV
6K	1010000893	LEG ELEC LV ASM 12" 20.9 F SQ 8.3 FLAT HALL INT	24.6"	1510000057	1010001018 left	Square shoe
6K	1010000892	LEG ELEC LV ASM 12" 20.9 F SQ 8.3 FLAT HALL INT	24.6"	1510000056	1010001019 right	Square shoe
9K	501473	ELEC ASM COMPLETE 13" STK RIGHT	24.6"	1010001093	1010001019 right	Square shoe
9K	101000141	ELEC ASM 13 22 F RD 10 NONE YES	24.6"	1010001093	1010001018 left	Round shoe
9K	101000142	ELEC LV ASM COMPLETE 13" STK RIGHT	24.6"	1010001092	1010001019 right	Round shoe
6K	1010000902	ELEC LV ASM 12 20.9 F SQ 8.3 FLAT HALL EXT	24.6"	1010000155	1010001018 left	National RV
6K	1010000901	ELEC LV ASM 12 20.9 F SQ 8.3 FLAT HALL EXT	24.6"	501092	1010001019 right	National RV
9K	101000139	ELEC LV ASM COMPLETE 13" STK LEFT	24.5"	1010001092	1010001018 left	Square shoe

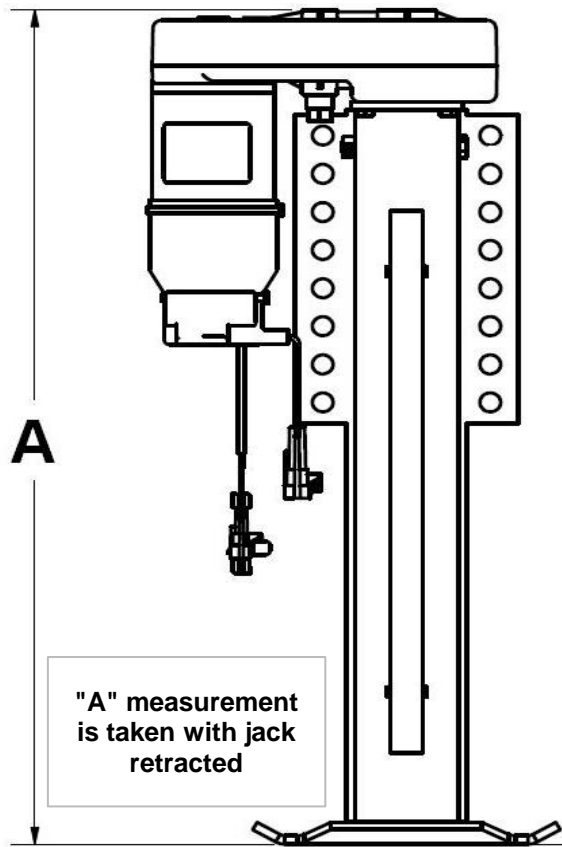


Illustration shows a typical RIGHT HAND jack assembly

Description	part number	Item #
Brake replacement kit	1010001289	1
Boot/band clamp replacement kit	1010001232	2
Shear pin replacement kit	1010001889	3
Hall effect sensor	140-1244	4
Magnet	990-1115	5
Motor replacement kit**	See chart above	6

\*\*Motor replacement kits RIGHT and LEFT hand assume that jack is mounted with motor facing rear of coach.

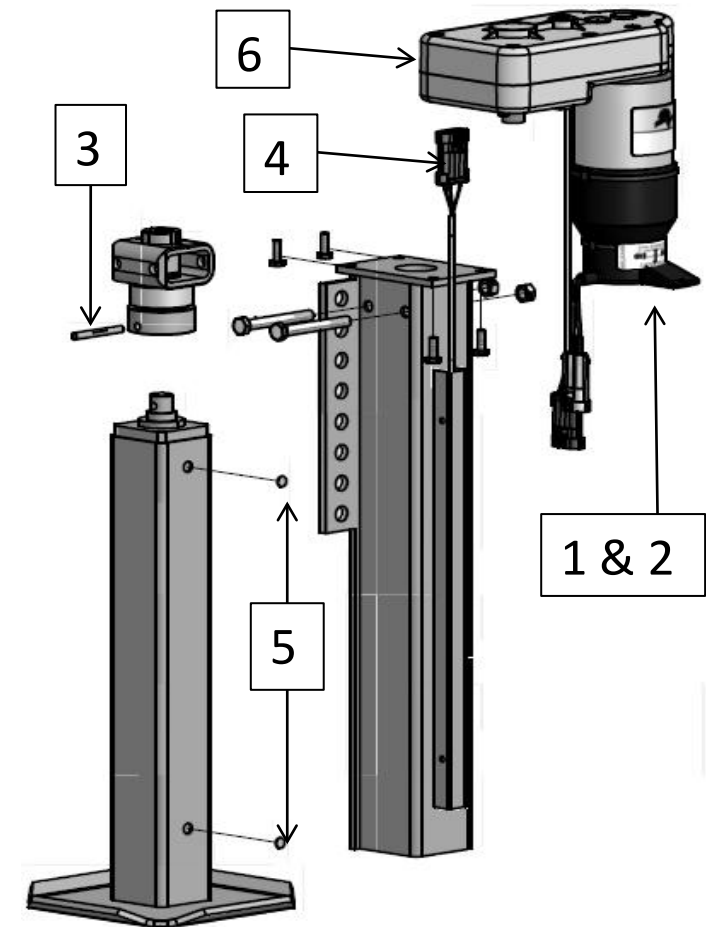
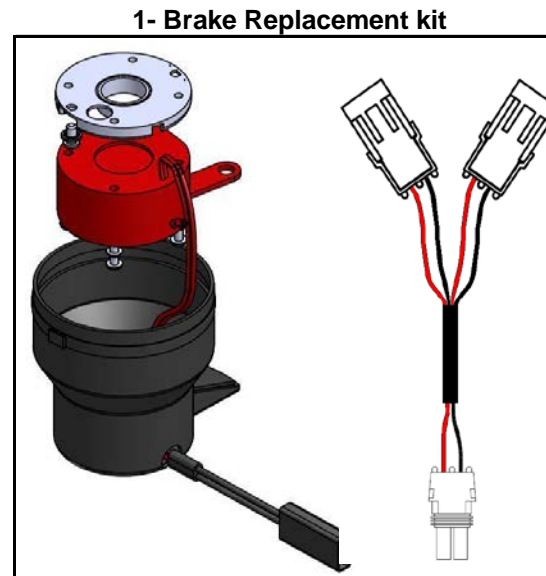


Illustration shows a typical LEFT HAND jack assembly

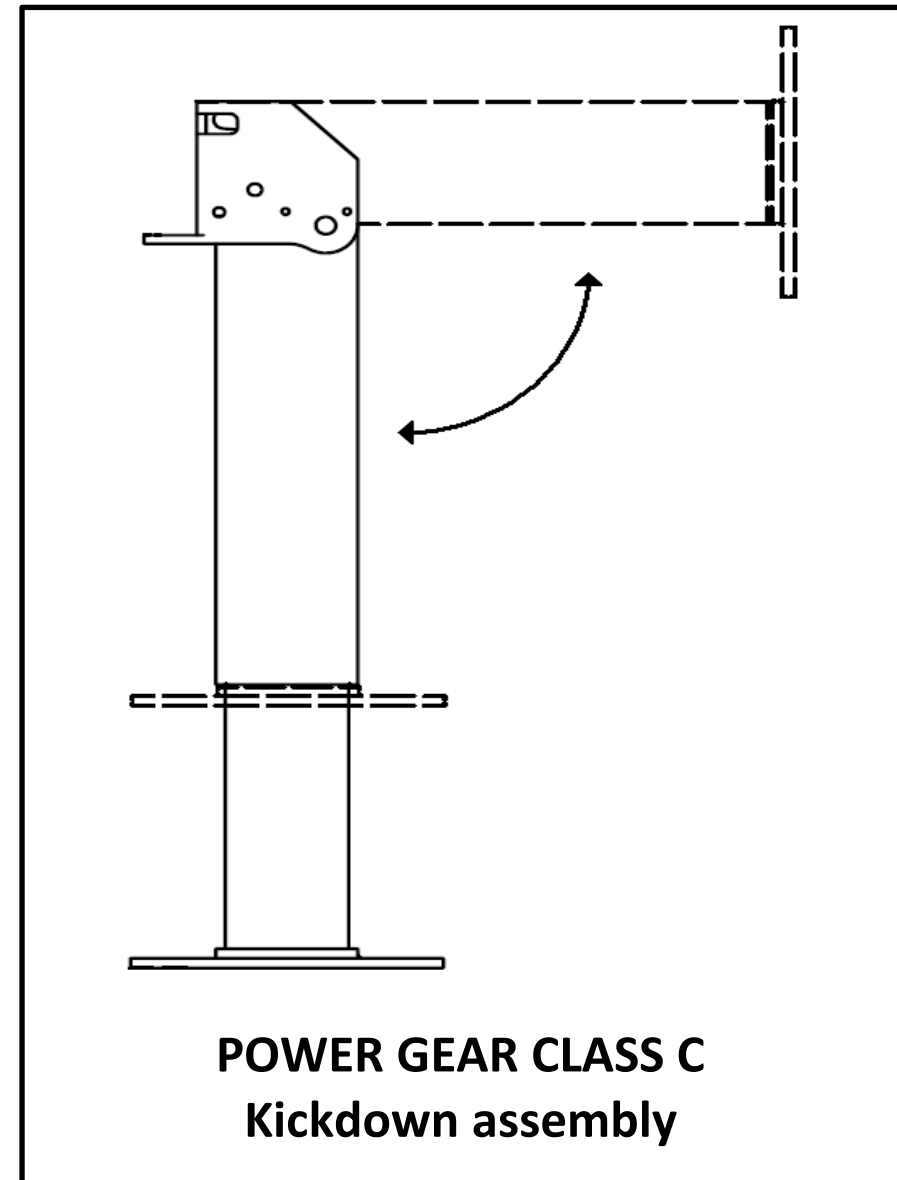


# POWER GEAR CLASS C JACK ASSEMBLY KICKDOWN PU/PD

Leveling jack assembly #	Description
9010000147	POWER GEAR CLASS C JACK ASSY KICKDOWN

**Note:**

Power up/Power down (PU/PD) jacks will have two hydraulic hoses. One attached to one of the two ports on top of the cylinder and one attached to one of the two ports near the bottom of the cylinder.

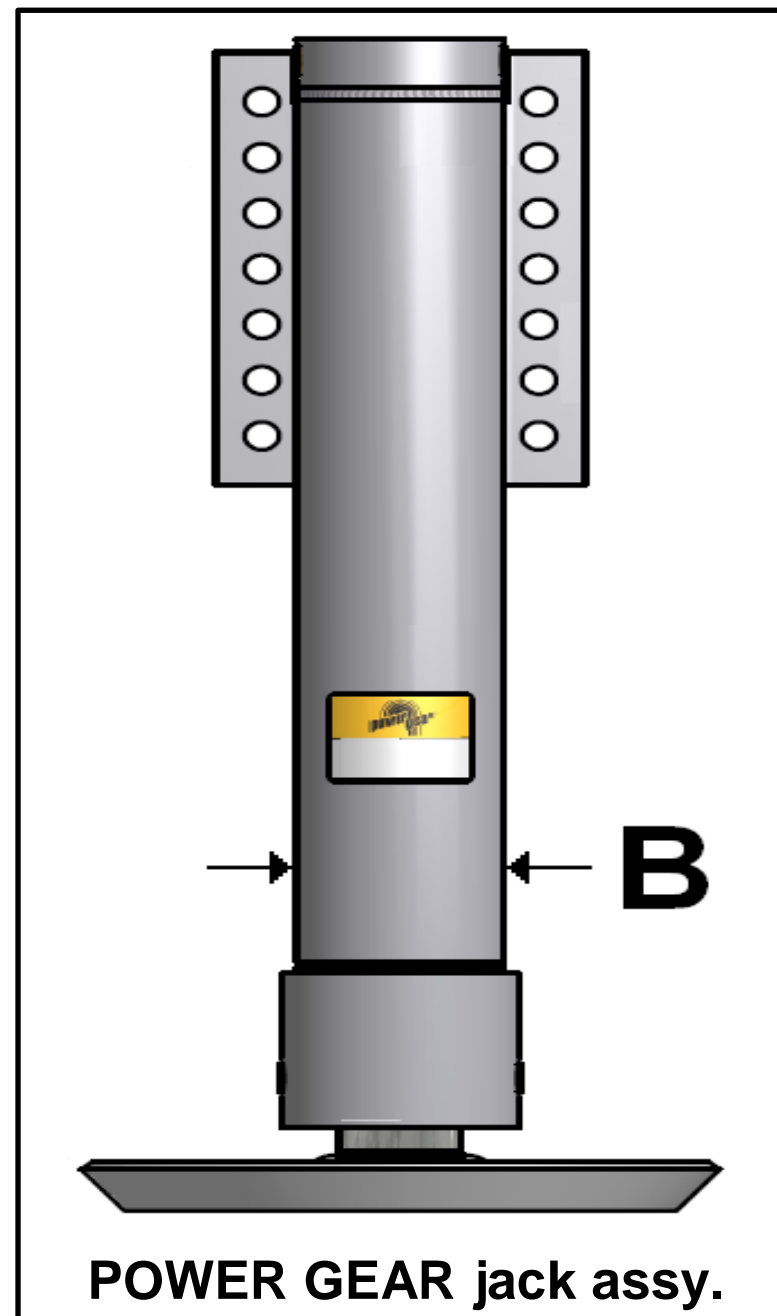


## POWER GEAR JACK ASSEMBLY PU/PD

Leveling jack assembly #	Description	B meas.
501095	POWER GEAR JACK 3" BORE 18" STROKE ASSY	3.38
501096	POWER GEAR JACK 3.5" BORE 18" STROKE ASSY	3.87

**Note:**

Power up/Power down (PU/PD) jacks will have two hydraulic hoses. One attached to one of the two ports on top of the cylinder and one attached to one of the two ports near the bottom of the cylinder.

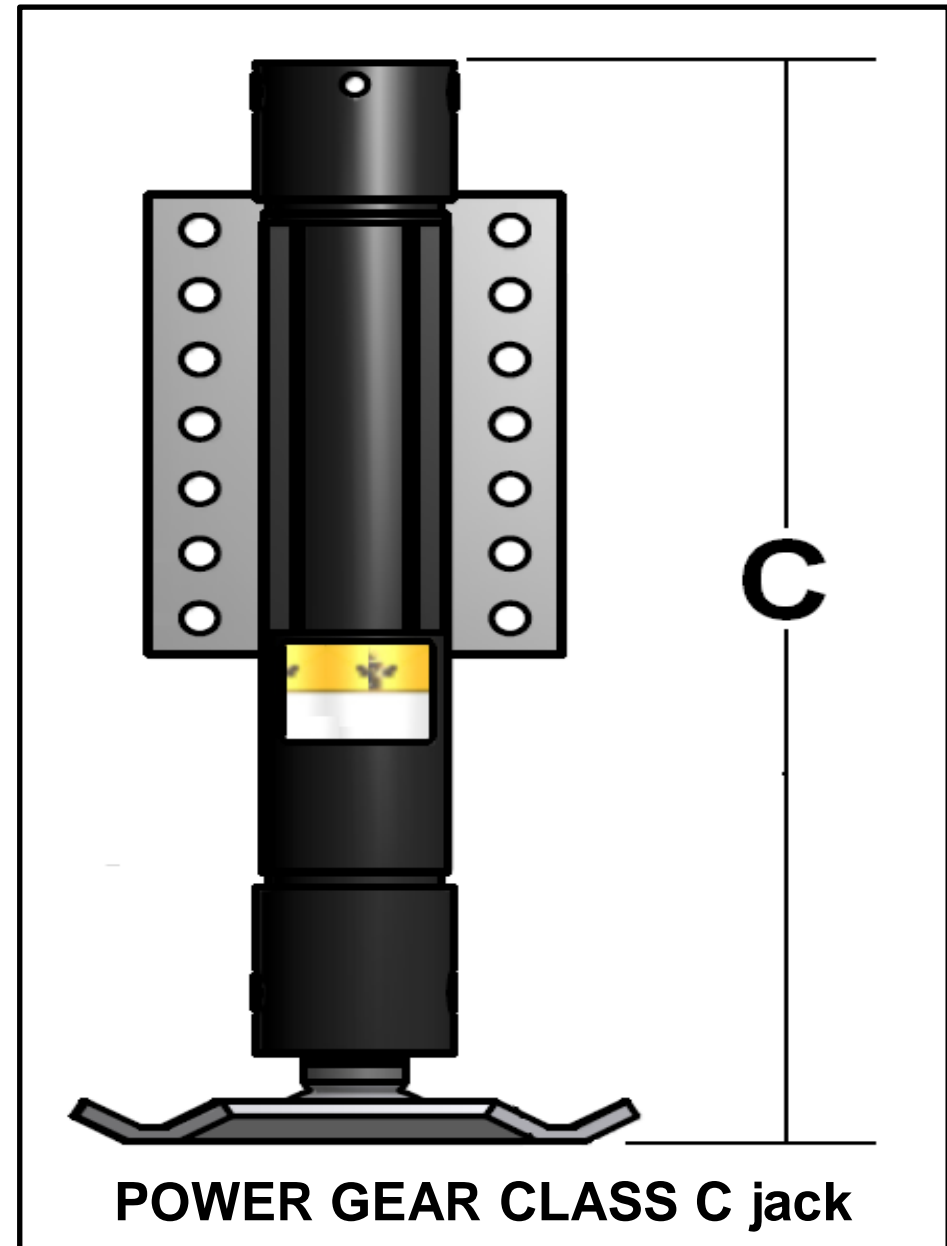


## POWER GEAR CLASS C JACK ASSEMBLY PU/PD

Leveling jack assembly #	Description	C meas.
501303	POWER GEAR CLASS C JACK ASSY ALUM 14" STK	18.76
501304	POWER GEAR CLASS C JACK ASSY ALUM 11" STK	15.75

**Note:**

Power up/Power down (PU/PD) jacks will have two hydraulic hoses. One attached to one of the two ports on top of the cylinder and one attached to one of the two ports near the bottom of the cylinder.



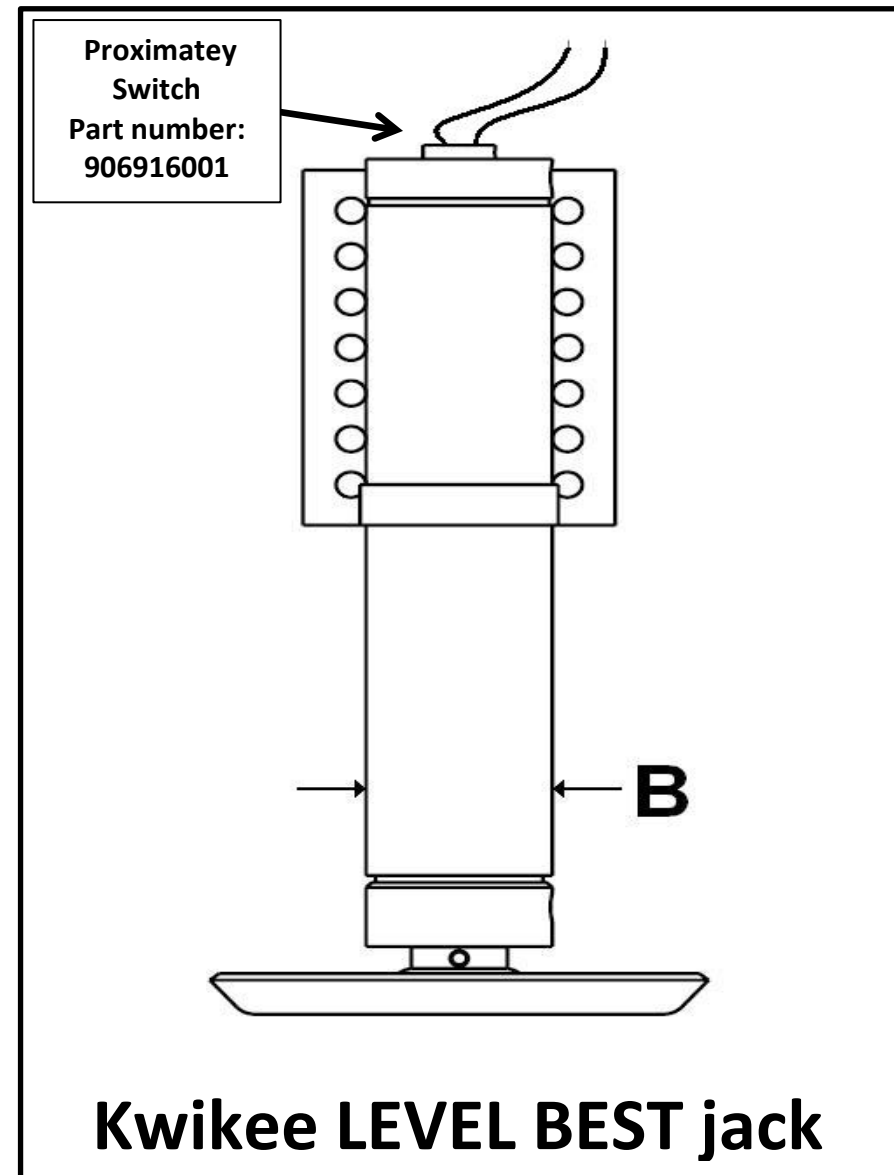


## KWIKEE LEVEL BEST JACK ASSEMBLY PU/PD

Leveling jack assembly #	Description	B meas.
3700710	LEVEL BEST ASSY JACK 15" STRT 17K ATLAS	3.87
3700700	LEVEL BEST ASSY JACK 15" STRT 10K ATLAS	3.38

**Note:**

Power up/Power down (PU/PD) jacks will have two hydraulic hoses. One attached to one of the two ports on top of the cylinder and one attached to one of the two ports near the bottom of the cylinder.



## DEWALD JACK ASSEMBLY PU/PD

Leveling jack assembly #	Description	A meas.
DN12581	DEWALD CYL LEV ASSY 2.5" BORE	14.74
DN12989	DEWALD CYL LEV ASSY 3.0" BORE	17.00

**Note:**

Power up/Power down (PU/PD) jacks will have two hydraulic hoses. One attached to one of the two ports on top of the cylinder and one attached to one of the two ports near the bottom of the cylinder.

